

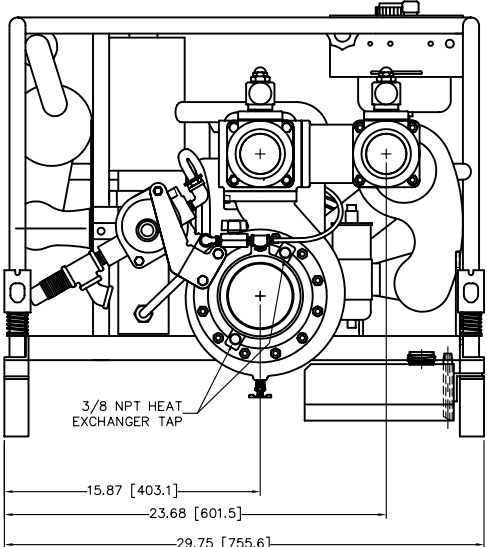
ADD 50% ANTIFREEZE/50% WATER HERE  
HEAT EXCHANGER W/ INTEGRAL EXPANSION TANK

4 GALLON [15 LITER]  
MOUNTED FUEL TANK  
(OPTIONAL)

7.81 [198.4]

LARGE OIL RESERVOIR  
USE HIGH QUALITY 2-CYCLE OIL  
FORMULATED FOR AIR COOLED ENGINES  
(NOT MARINE)

FUEL FILL TANK  
FILL NECK EQUIPPED  
WITH FLOAT GAGE CAP

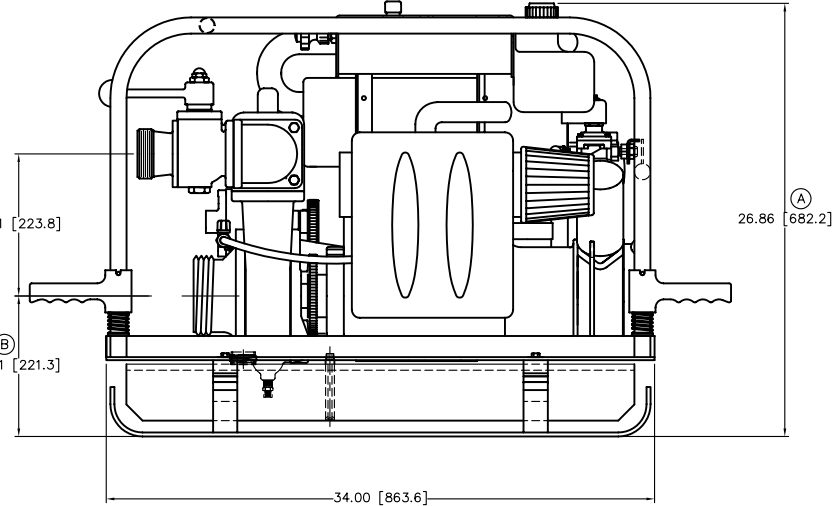


3/8 NPT HEAT  
EXCHANGER TAP

15.87 [403.1]

23.68 [601.5]

29.75 [755.6]

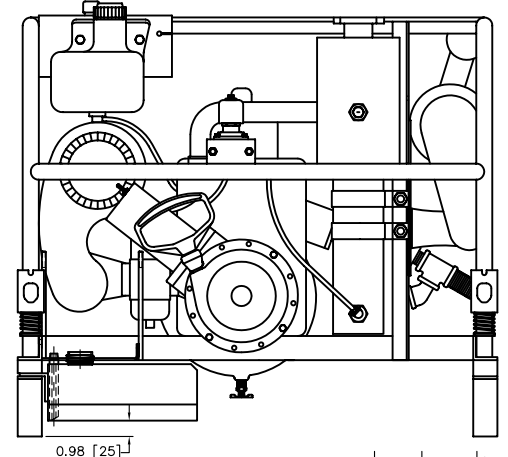


8.81 [223.8]

8.71 [221.3]

26.86 [682.2]

34.00 [863.6]



0.98 [25]

WEIGHT, DRY, WITH COMPONENTS SHOWN = 253 POUNDS

2000-06 17JAN2000 (B) WAS 8.21 [208.5] DLL/TEJ 2000-06 17JAN2000 (A) WAS 26.38 [669.5] DLL/TEJ		REV. NO. DATE CHANGE (B) WAS 8.21 [208.5] DLL/TEJ (A) WAS 26.38 [669.5] DLL/TEJ
MATERIAL:		OLD PART NO.
PATTERN NO.		W.S. DARLEY & CO. MELROSE PARK, IL - SHIPPERS FALLS, W. HE64RP, W/FUEL TANK DIMENSIONAL DRAWING
THIS DESIGN IS THE PROPERTY OF W.S. DARLEY AND CO. - UNAUTHORIZED REPRODUCTION IS PROHIBITED		DATE: AUG24, 1998 SCALE: 1/4
ALL DIMENSIONS IN INCHES UNLESS NOTED		DO NOT SCALE PRINT
DWN TED CHKD GJZ TRCD		DHD0503