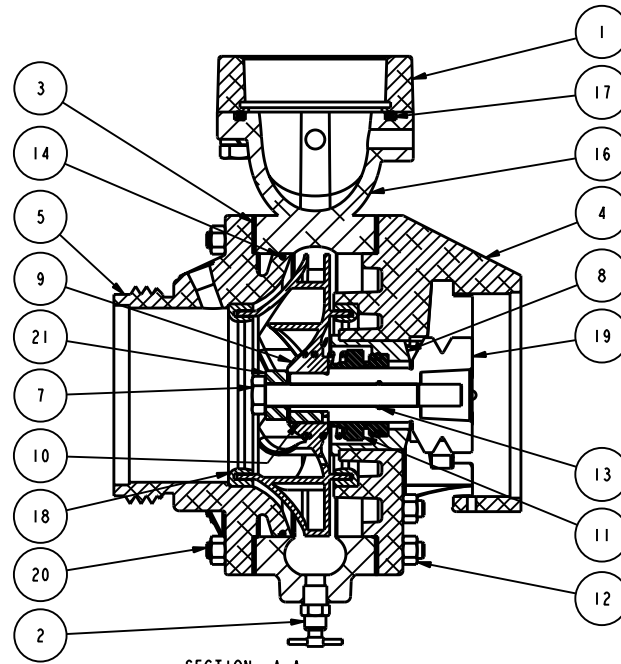


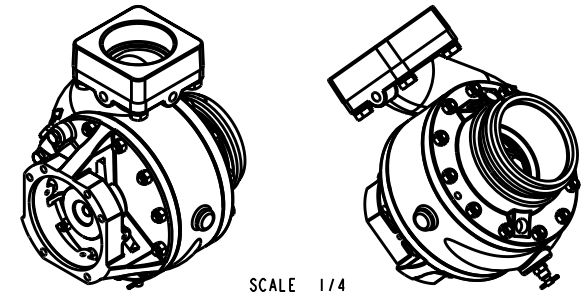
NAME:SMS OBJECT:DHC0202 DATE:12-Oct-10 11:06:29

NO.	DESCRIPTION	PART NO.	QTY.
1	ASSY - FLANGE, 3 NPT, BLK ANODIZE	-	1
2	DRAINCOCK - 0.25 NPTM, 1KC BR	-	1
3	GASKET - PUMP CASING, H	-	2
4	HEAD - INBOARD, HE64R, ALUM	-	1
5	HEAD - SUCTION, HE64R, 4 NHM	-	1
6	HHCS - .375-16 x 2.00, SST	-	2
7	HHCS - .500-20 x 4.50, 300 SST	-	1
8	HOUSING - MECHANICAL SEAL	-	1
9	IMPELLER - HE64R, RH	-	1
10	KEY - SQ., 0.25 X 0.75, 316 SS	-	1
11	MECHANICAL SEAL - 1.25" WELD SPRING	-	1
12	NUT - HEX, .375-16, SST	-	22
13	O-RING - 0.50 x 0.62 x 0.06	-	1
14	O-RING - 6.25 x 6.44 x 0.09	-	1
15	PLUG - 1" - 14	-	1
16	PUMP CASING - H, CAST IRON	-	1
17	QUAD RING - 3.25 x 3.62 x 0.19	-	1
18	SEAL RING - H500	-	2
19	SHAFT - IMPELLER, HE64R	-	1
20	STUD - 0.375-16 X 1.500, 303	-	22
21	WASHER - .53 X 1.12 X .50	-	1

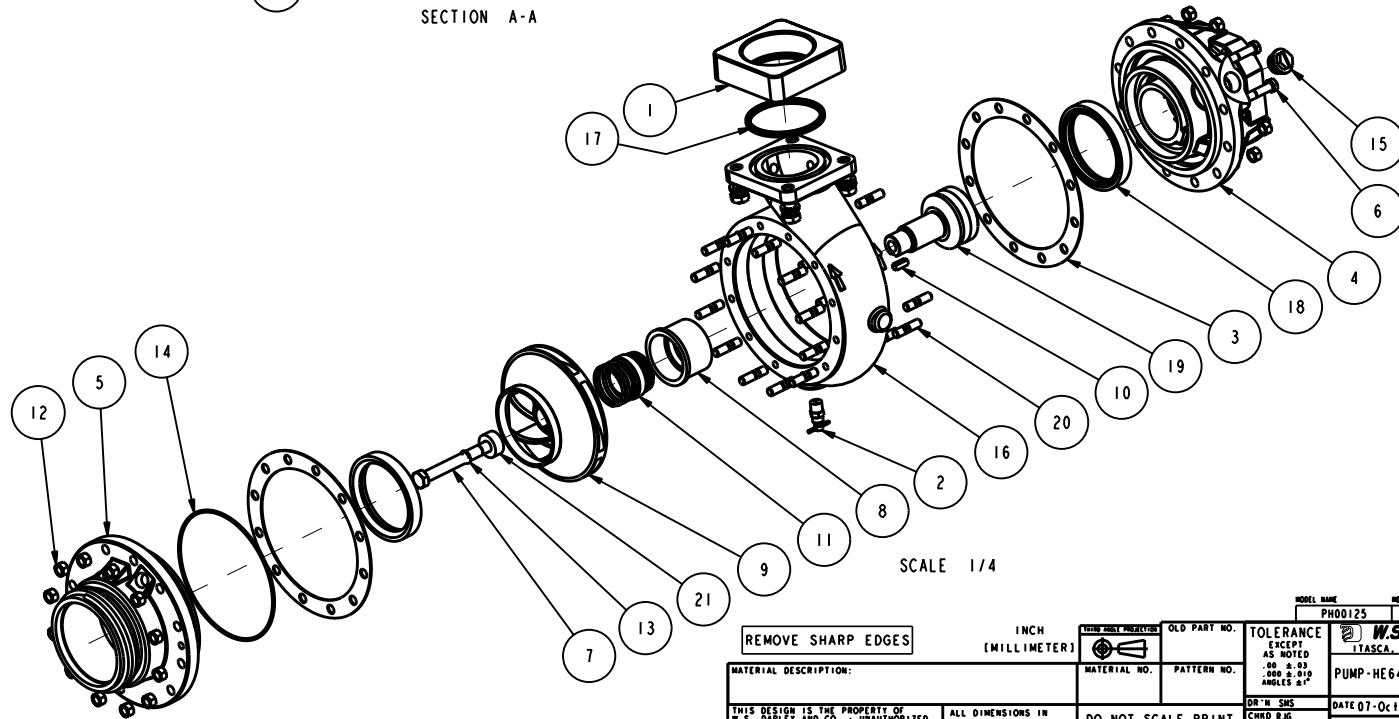


SECTION A-A

REVISIONS			
LTR	DESCRIPTION	DATE	CHG NO.



SCALE 1/4



SCALE 1/4

REMOVE SHARP EDGES		INCH (MILLIMETER)	OLD PART NO.	TOLERANCE EXCEPT AS NOTED .00 ± .03 .000 ± .010 ANGLES 2x	MODEL NAME PH00125	CHK CREATED	SHEET 1/1	C
MATERIAL DESCRIPTION:		MATERIAL NO.	PATTERN NO.	DR™ SMS CHRD RJG TRCD	<b>W.S. Darley &amp; Co.</b> TASCAS, IL - CHIPPEWA FALLS, WI PUMP-HE64R, ANODIZED, MECH SEAL			
THIS DESIGN IS THE PROPERTY OF W.S. DARLEY AND CO. - UNAUTHORIZED REPRODUCTION IS PROHIBITED		ALL DIMENSIONS IN INCHES UNLESS NOTED		DO NOT SCALE PRINT	DATE 07-Oct-10		SCALE 1/2	
								<b>DHC0202</b>