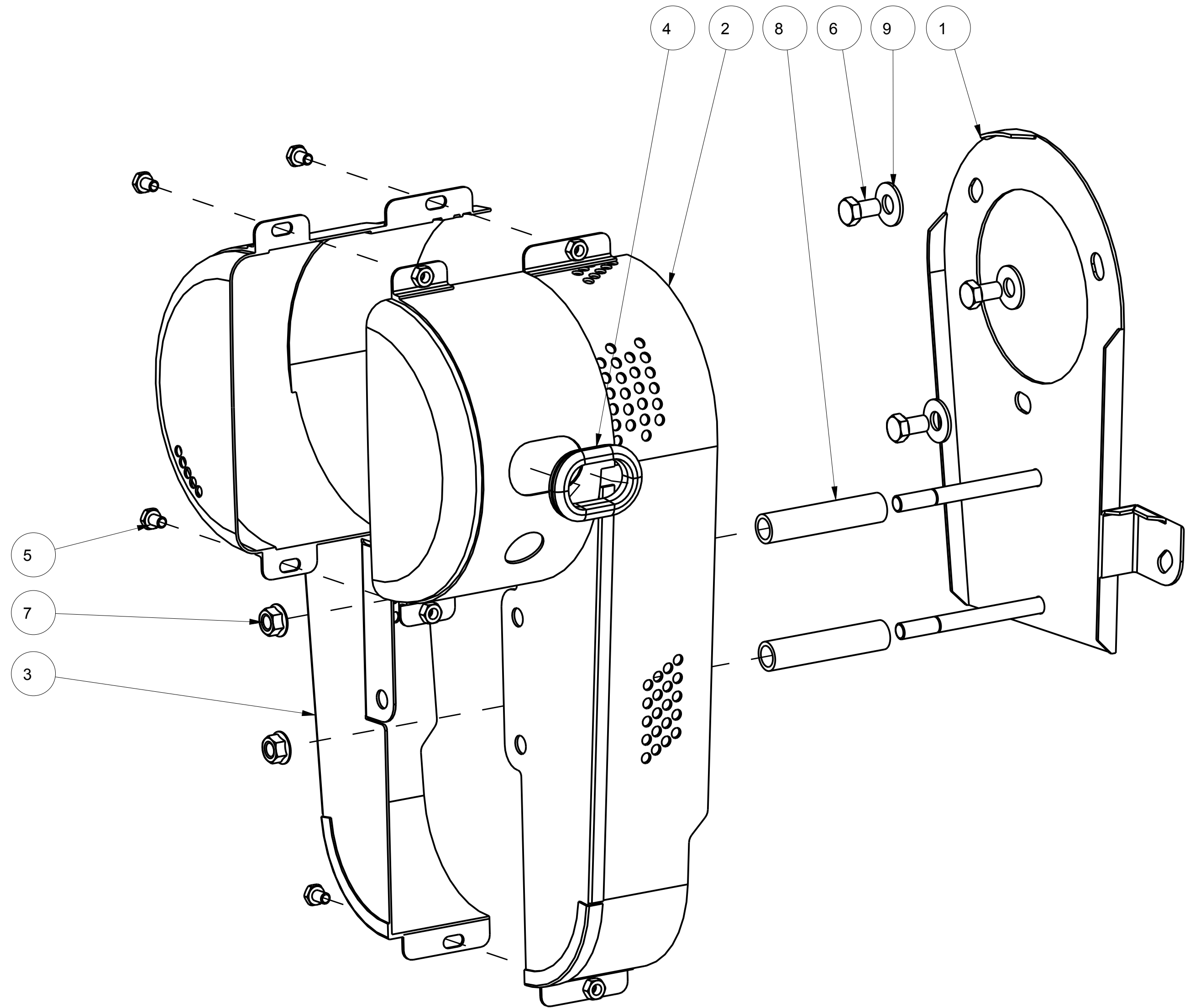


NO.	DESCRIPTION	PART NO.	QTY.
1	BRACKET - BELT COVER, EMBC	4036000	1
2	COVER - BELT, ELECTRIC CLUTCH	2508512	1
3	COVER - BELT, ELECTRIC CLUTCH	2508513	1
4	GROMMET - 1.50 ID X 1.75 MTG OD	4401726	1
5	HHCS - .250-20 x 0.38, GR5	5400000	4
6	HHCS - .375-16 x 0.63, GR5	5400033	3
7	NUT - FLANGED TOP LOCK	5403468	2
8	SPACER - 0.49 x 0.68 x 3.180	3306705	2
9	WASHER - FLAT, 3/8, STEEL	3603803	3

REVISIONS				
LTR	DESCRIPTION	DATE	CHG NO.	APPR'D



REMOVE SHARP EDGES

INCH  
[MILLIMETER]



OLD PART NO.

TOLERANCE  
EXCEPT  
AS NOTED  
.00 ±.03  
.000 ±.010  
ANGLES ±1°

**W.S. Darley & Co.**  
ITASCA, IL - CHIPPEWA FALLS, WI

MATERIAL DESCRIPTION:  
SEE TABLE

MATERIAL NO. PATTERN NO.

DR'N JAF  
CHKD RJG  
TRCD

DATE 18-Jan-13  
SCALE 1/2

**DCM0509**

THIS DESIGN IS THE PROPERTY OF  
W.S. DARLEY AND CO. - UNAUTHORIZED  
REPRODUCTION IS PROHIBITED

ALL DIMENSIONS IN  
INCHES UNLESS NOTED

DO NOT SCALE PRINT

MODEL NAME AZ01710 MDL CREATED 18-JAN-13 SHEET 1/1 C

DWG - SPLIT BELT COVER ASSY  
EMBC PUMP REAR