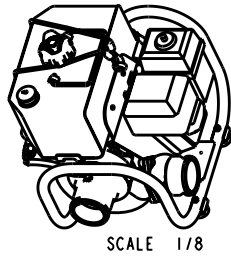
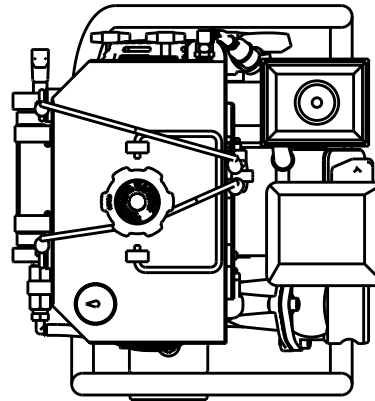


NAME:EAS2 OBJECT:DBD0302 DATE:14-Sep-11 20:14:43

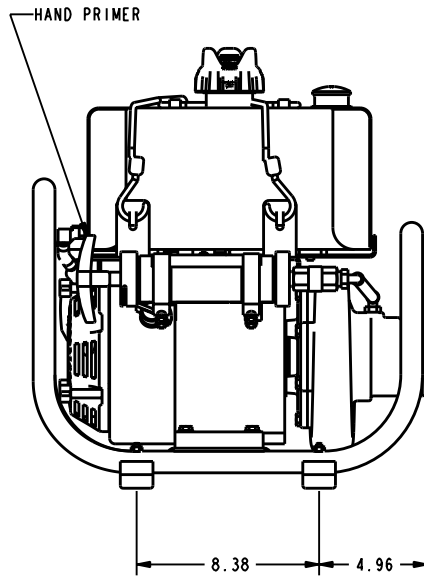
REVISIONS			
LTR	DESCRIPTION	DATE	CHG NO. APPR'D



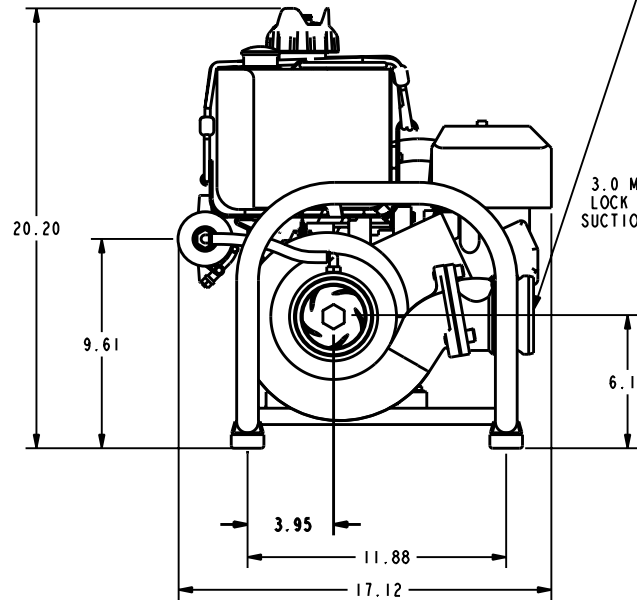
SCALE 1/8



2.5 GAL. REMOVABLE FUEL TANK

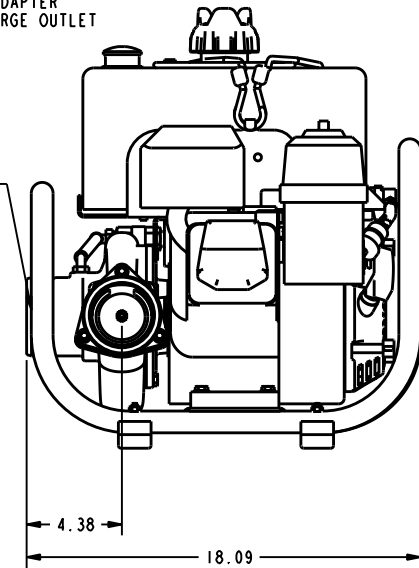


HAND PRIMER



3.0 MALE CAM LOCK ADAPTER SUCTION INLET

3.0 MALE CAM LOCK ADAPTER DISCHARGE OUTLET



APPROX. WEIGHT, WET: 55 LBS

REMOVE SHARP EDGES

INCH (MILLIMETER)		OLD PART NO.	TOLERANCE EXCEPT AS NOTED .00 & .03 .000 & .010 ANGLES 2R	DR'N TFD CHRD BHW TRCD	DATE 02-Mar-99	SCALE 1/4	DBD0302
MATERIAL DESCRIPTION:		MATERIAL NO.	PATTERN NO.	MODEL NAME: DBD0303 SHEET: 1/1 C W.S. Darley & Co. MASCA, IL - CHIPPEWA FALLS, WI PUMP - 2BE6.5H DIMENSIONAL			
THIS DESIGN IS THE PROPERTY OF W.S. DARLEY AND CO. - UNAUTHORIZED REPRODUCTION IS PROHIBITED		ALL DIMENSIONS IN INCHES UNLESS NOTED		DO NOT SCALE PRINT			