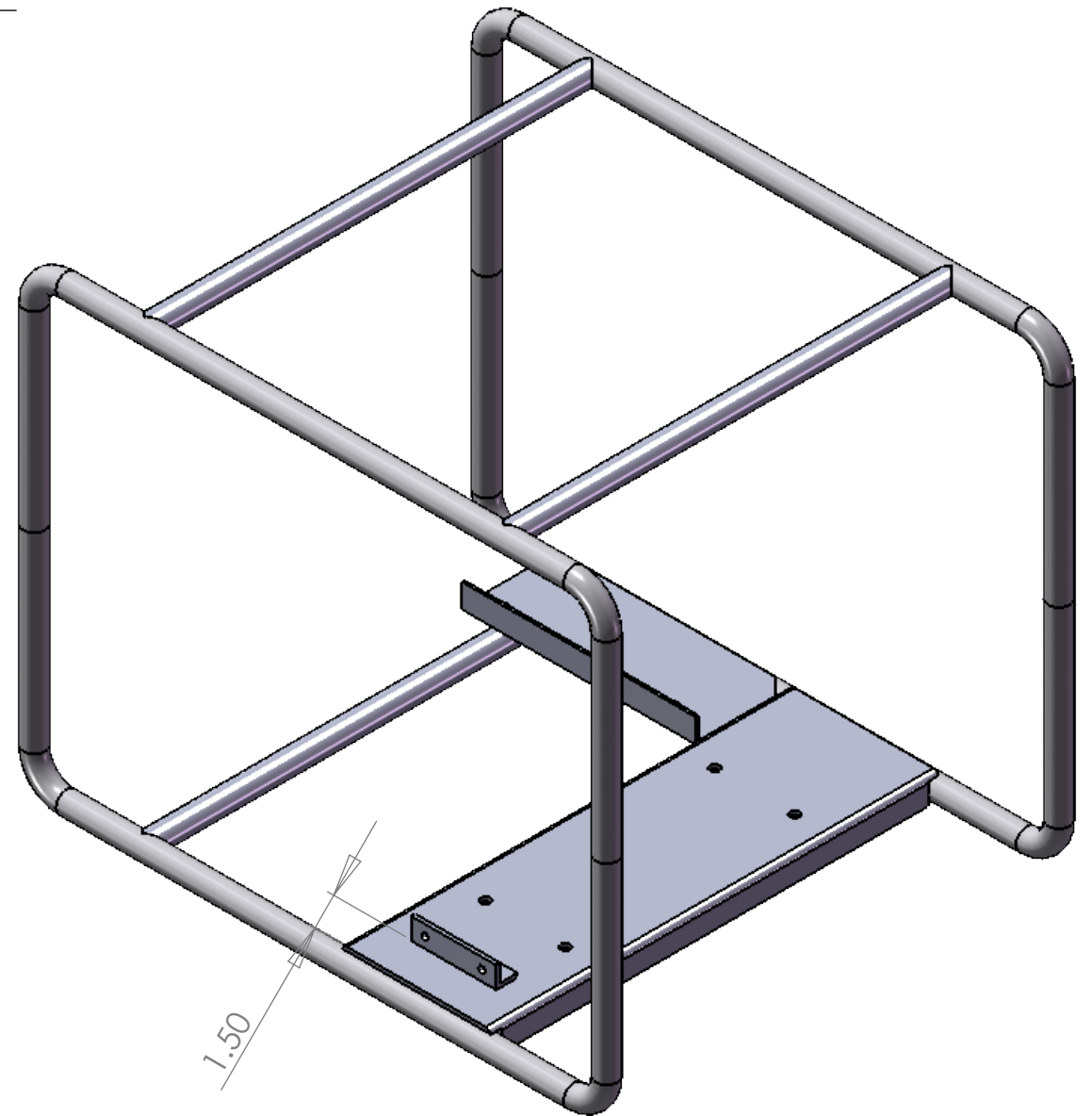
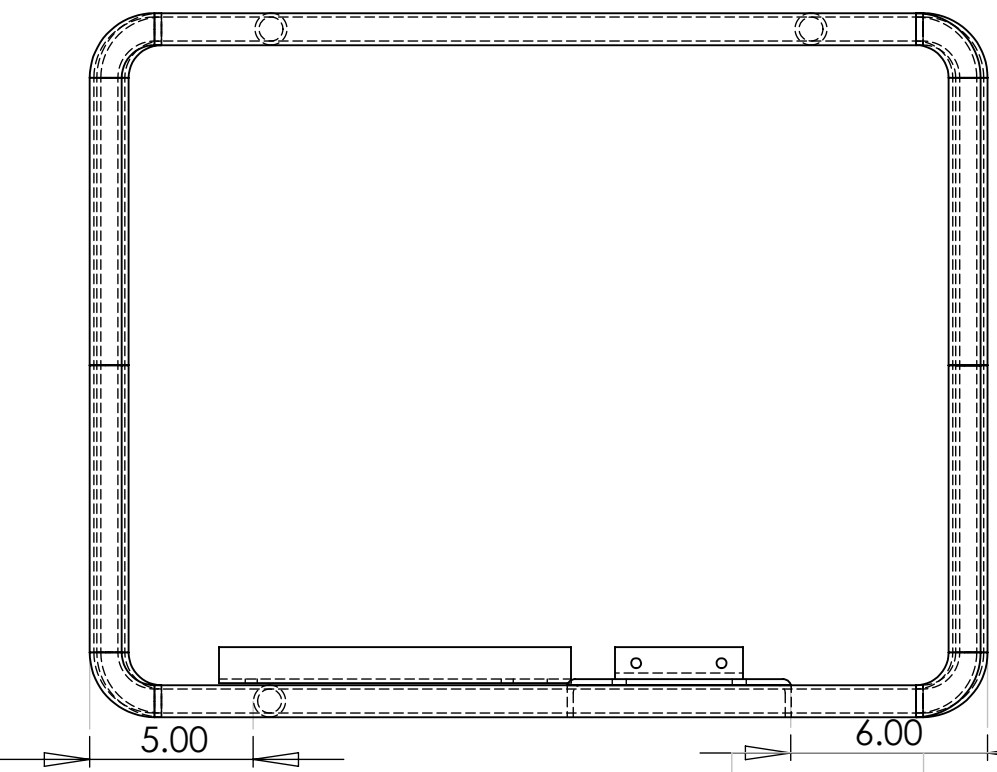
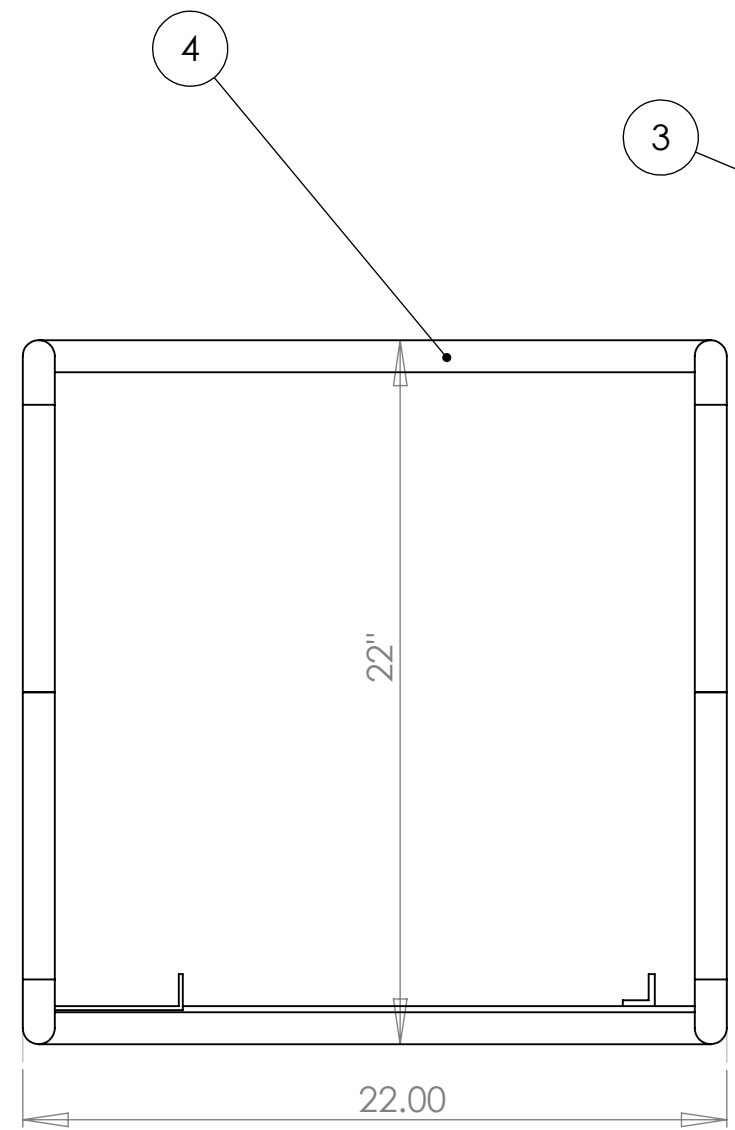
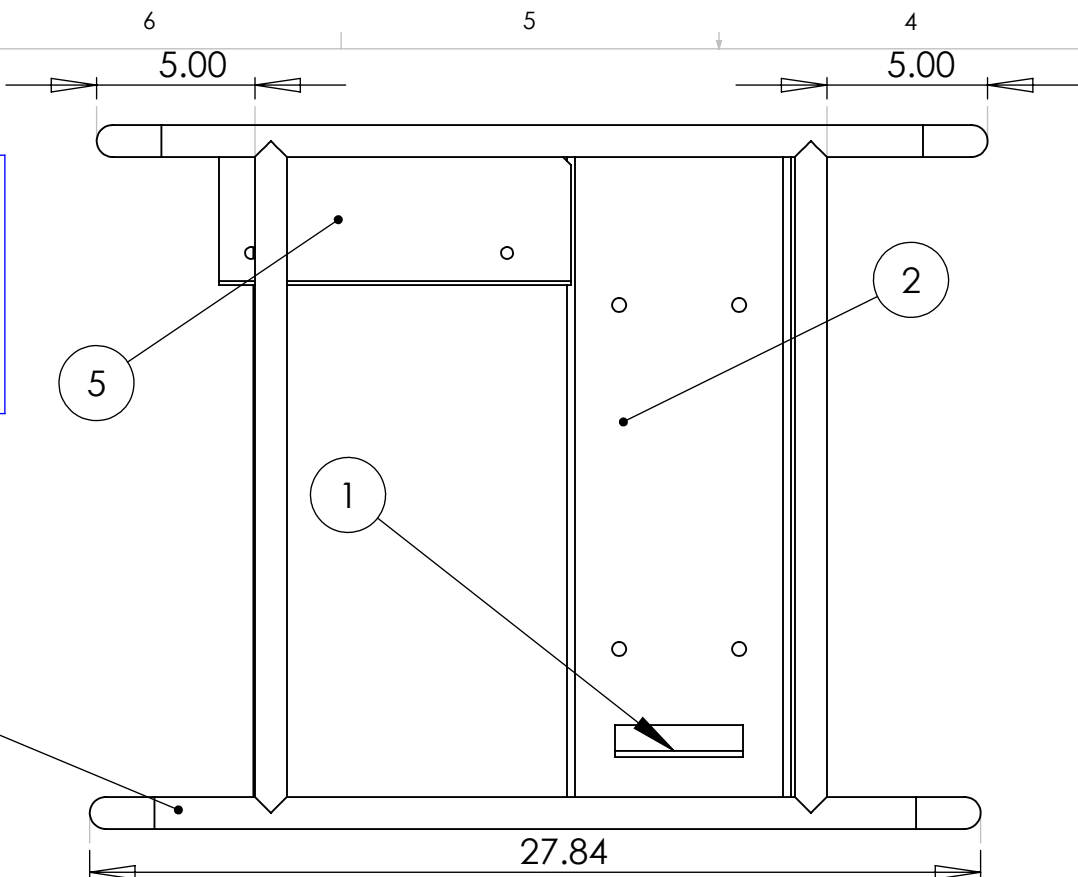


- 1 # RD1105 ANGLE PIECE 1 PER
- 2 # RD1104 MOUNTING PLATE 1 PER
- 3 # RD1102 FRAME COMPONENT 4 PER
- 4 # RD1103 CROSS MEMBER 3 PER
- 5 # RD1106 BATTERY TRAY 1 PER



PROPRIETARY AND CONFIDENTIAL
 THE INFORMATION CONTAINED IN THIS DRAWING IS THE SOLE PROPERTY OF <INSERT COMPANY NAME HERE>. ANY REPRODUCTION IN PART OR AS A WHOLE WITHOUT THE WRITTEN PERMISSION OF <INSERT COMPANY NAME HERE> IS PROHIBITED.

UNLESS OTHERWISE SPECIFIED:		NAME	DATE	TITLE: DAVEY / YANMAR FRAME	
DIMENSIONS ARE IN INCHES		DRAWN	KB		12/15/09
TOLERANCES:		CHECKED			
FRACTIONAL ±		ENG APPR.			
ANGULAR: MACH ± BEND ±		MFG APPR.			
TWO PLACE DECIMAL ±		Q.A.			
THREE PLACE DECIMAL ±		COMMENTS:			
INTERPRET GEOMETRIC TOLERANCING PER:				SIZE DWG. NO. REV	
MATERIAL				B RA1103	
FINISH				SCALE: 1:10 WEIGHT: SHEET 1 OF 1	
NEXT ASSY	USED ON				
APPLICATION					
		DO NOT SCALE DRAWING			