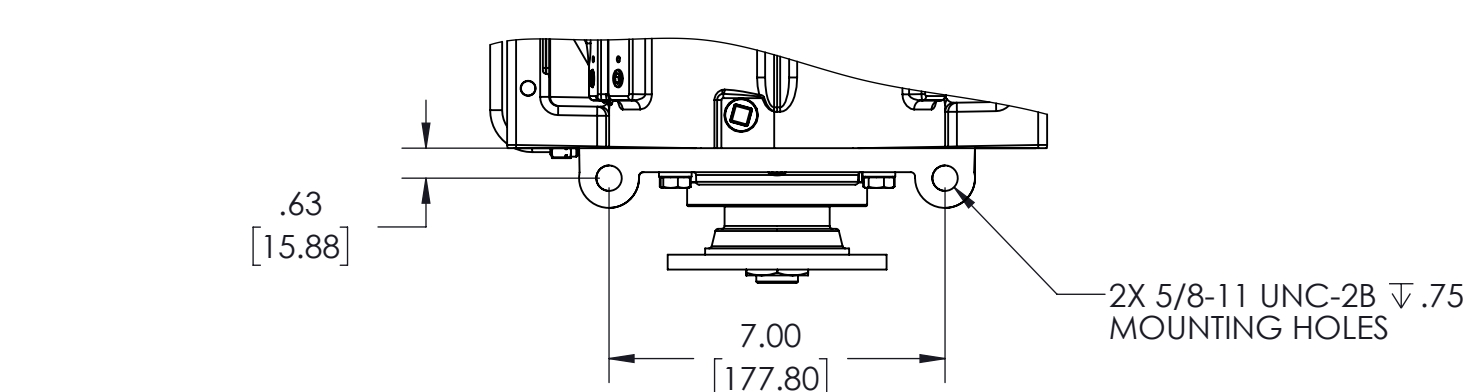
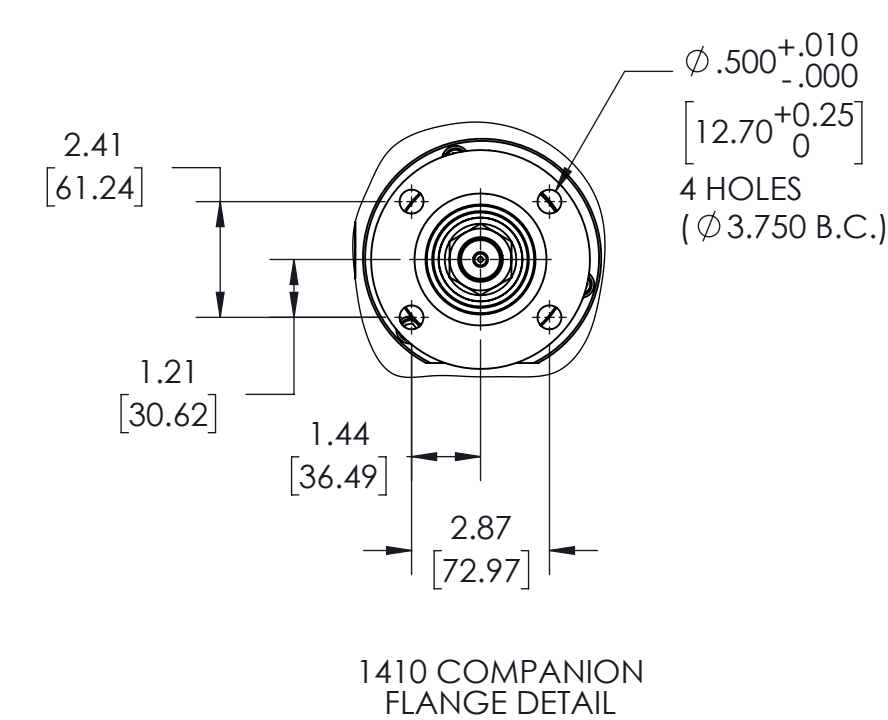
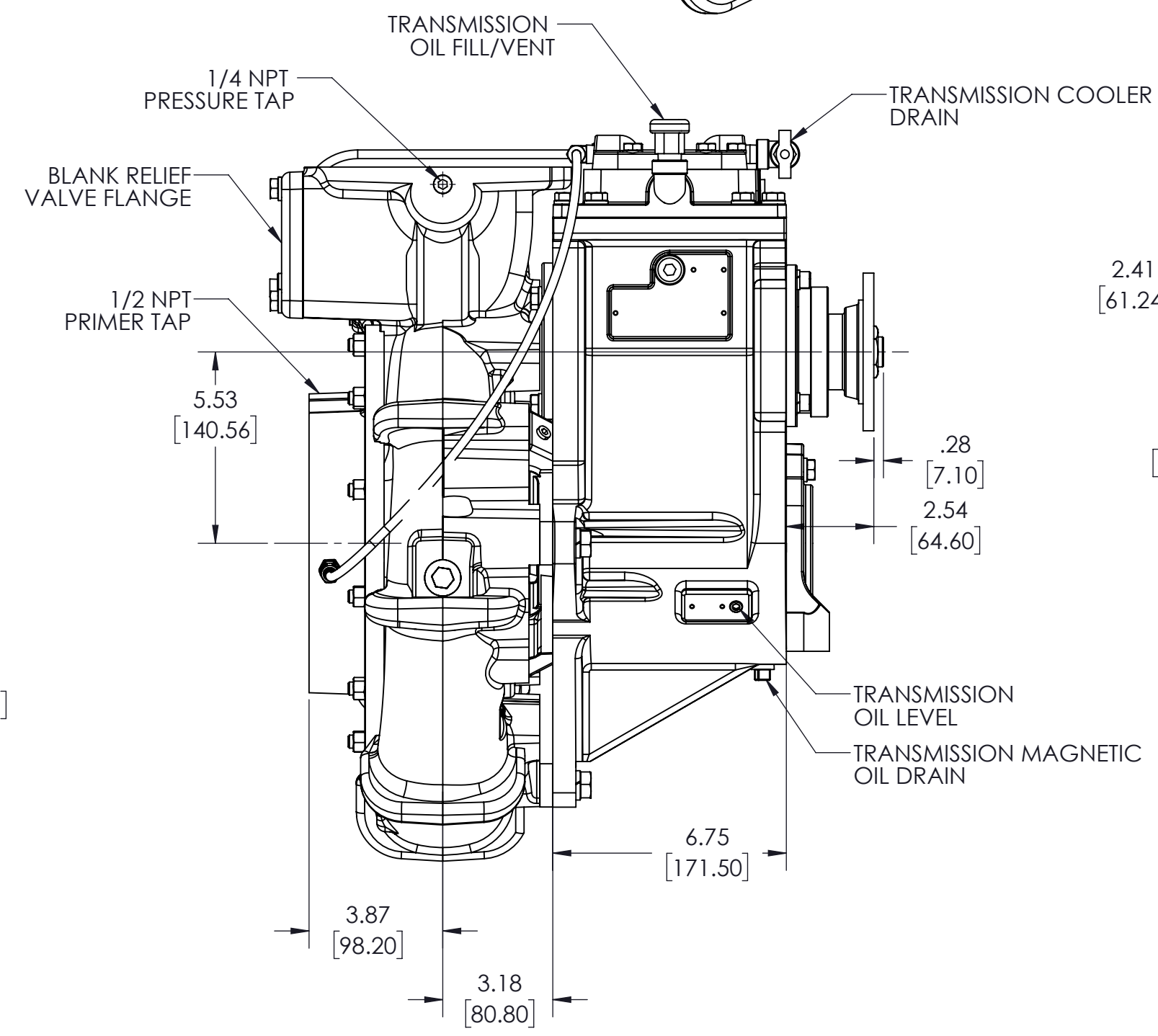
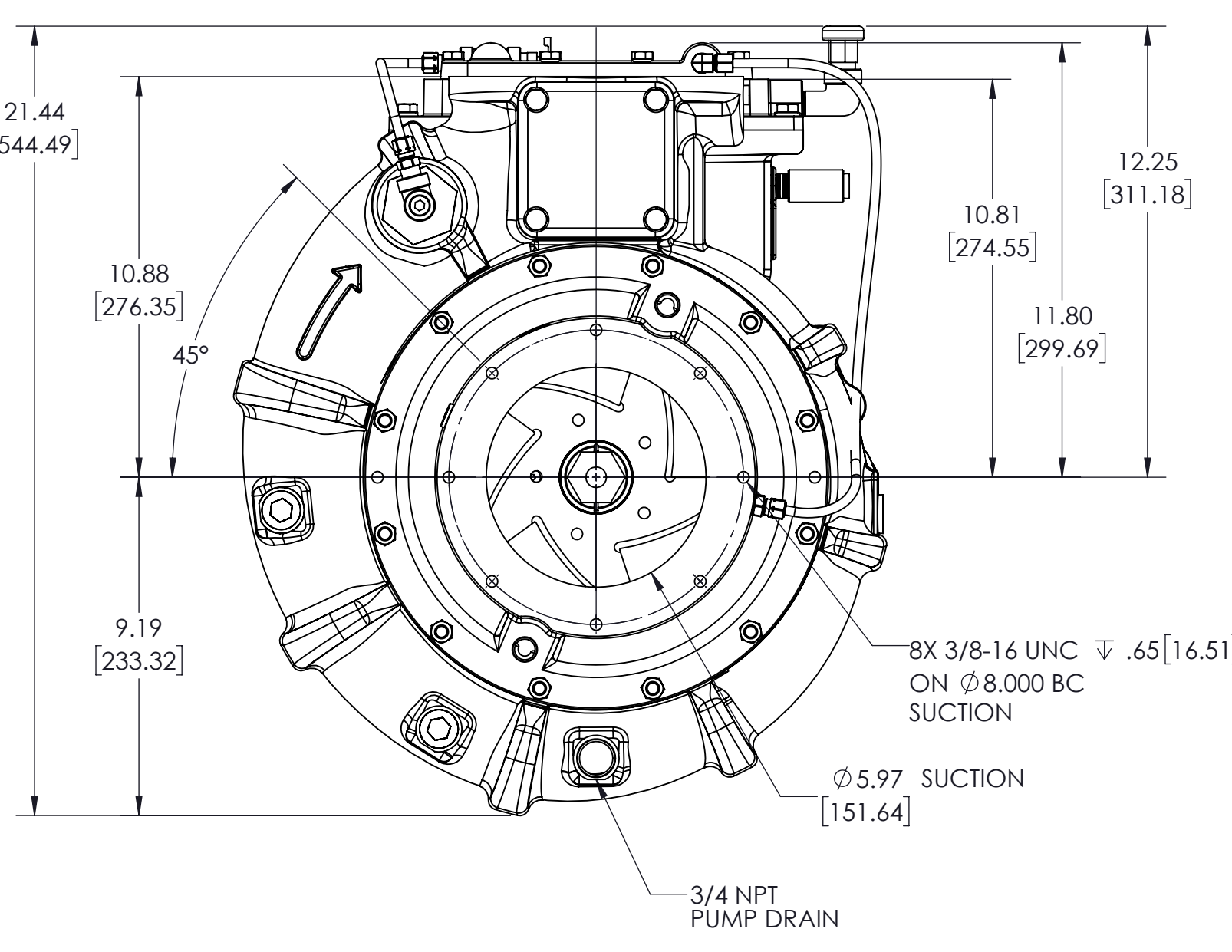


REFERENCE NOTES:  
1) ENGINE ROTATION DRIVE SOURCE

ASSEMBLIES SHOWN  
PT01000 - PUMP  
TP00623 - TRANSMISSION  
AM00404 - TRANSMISSION COOLER  
KR03902 - 1.50:1 GEAR RATIO  
YF00601 - RELIEF VALVE BLANK COVER  
AT00316 - NO TACH DRIVE



THIRD ANGLE PROJECTION		MODEL	SHEET
		DTD1010	1/1 C
REMOVE SHARP EDGES	INCH [MILLIMETER]	OLD PART NO.	TOLERANCE EXCEPT AS NOTED
MATERIAL DESCRIPTION	MASS	PATTERN NO.	.00 ±.03
THIS DESIGN IS THE PROPERTY OF WS. DARLEY CO. - UNAUTHORIZED REPRODUCTION IS PROHIBITED	282.14 LBS		.000 ±.010
	ALL DIMENSIONS IN INCHES UNLESS NOTED	DRWN SMS	ANGLES ±1
		CKHD WAH	DWG - TSP, PUMP REAR, LH
		TRCD	INVERTED 2 GEAR TRANSMISSION
			DATE: 10/19/2020
			SCALE: 1:4
			DTD1010

