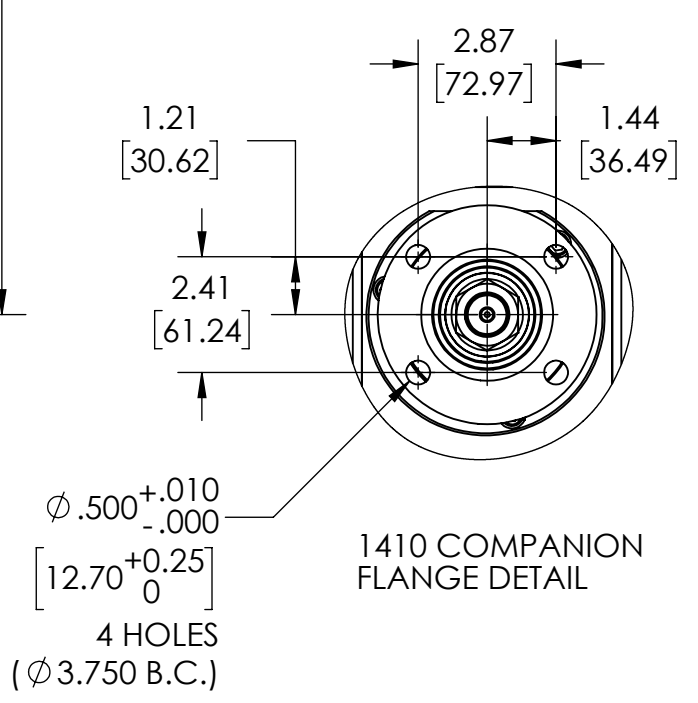
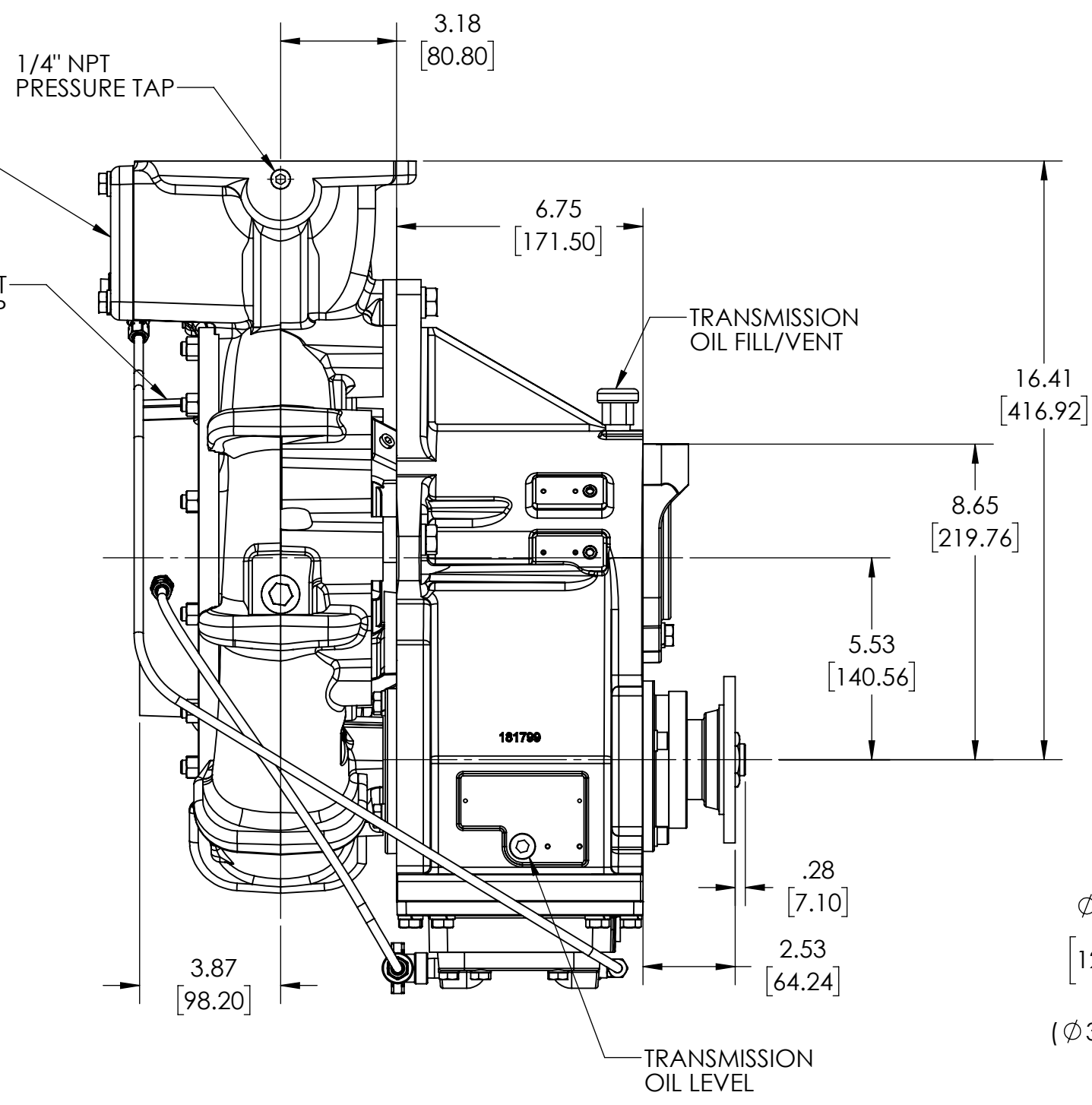
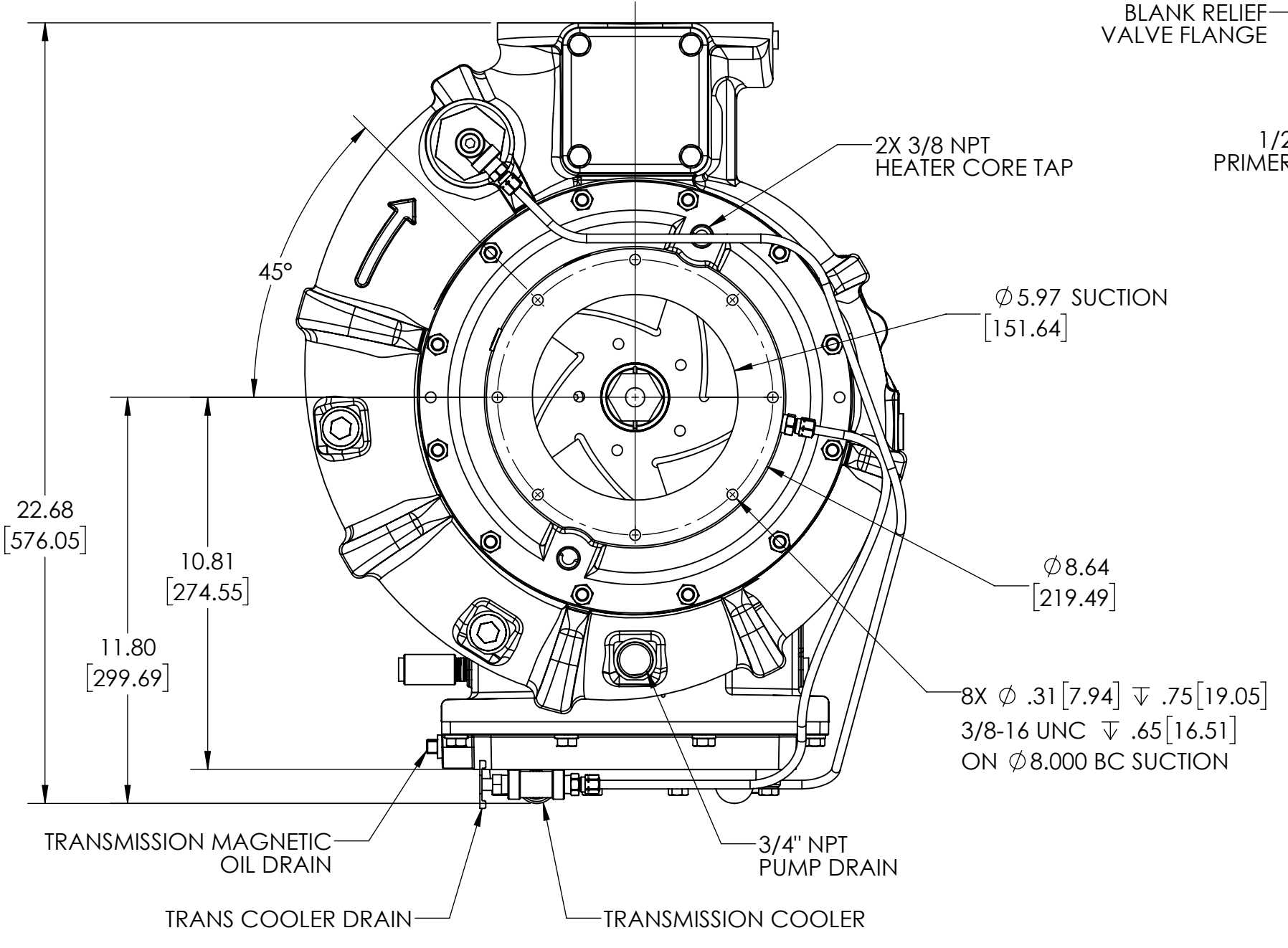


REFERENCE NOTES:
 1) ENGINE ROTATION DRIVE SOURCE

ASSEMBLIES SHOWN
 PT01000 - PUMP
 TP00623 - TRANSMISSION
 AM00404 - TRANSMISSION COOLER
 KR03902 - 1.50:1 GEAR RATIO
 YF00601 - RELIEF VALVE BLANK COVER
 4817822 - COMPANION FLANGE
 AT00316 - NO TACH DRIVE



<p>REMOVE SHARP EDGES</p> <p>MATERIAL DESCRIPTION</p> <p>THIS DESIGN IS THE PROPERTY OF WS. DARLEY CO. - UNAUTHORIZED REPRODUCTION IS PROHIBITED</p>		<p>INCH [MILLIMETER]</p> <p>MASS</p> <p>282.08 LBS</p> <p>ALL DIMENSIONS IN INCHES UNLESS NOTED</p>	<p>THIRD ANGLE PROJECTION</p> <p>MATERIAL NO.</p> <p>DO NOT SCALE PRINT</p>	<p>OLD PART NO.</p> <p>PATTERN NO.</p> <p>DRWN SMS</p> <p>CKHD WAH</p> <p>TRCD</p>	<p>TOLERANCE EXCEPT AS NOTED</p> <p>.00 \pm .03</p> <p>.000 \pm .010</p> <p>ANGLES \pm 1</p> <p>DATE: 10/15/2020</p> <p>SCALE: 1:4</p>	<p>MODEL DTD1009</p> <p>SHEET 1/1</p> <p>Darley ITASCA, IL CHIPPEWA FALLS, WI</p> <p>DWG - TSP, PUMP REAR, LH VERTICAL 2 GEAR TRANSMISSION</p> <p>DATE: 10/15/2020</p> <p>SCALE: 1:4</p> <p>DTD1009</p>
--	--	---	--	--	---	--