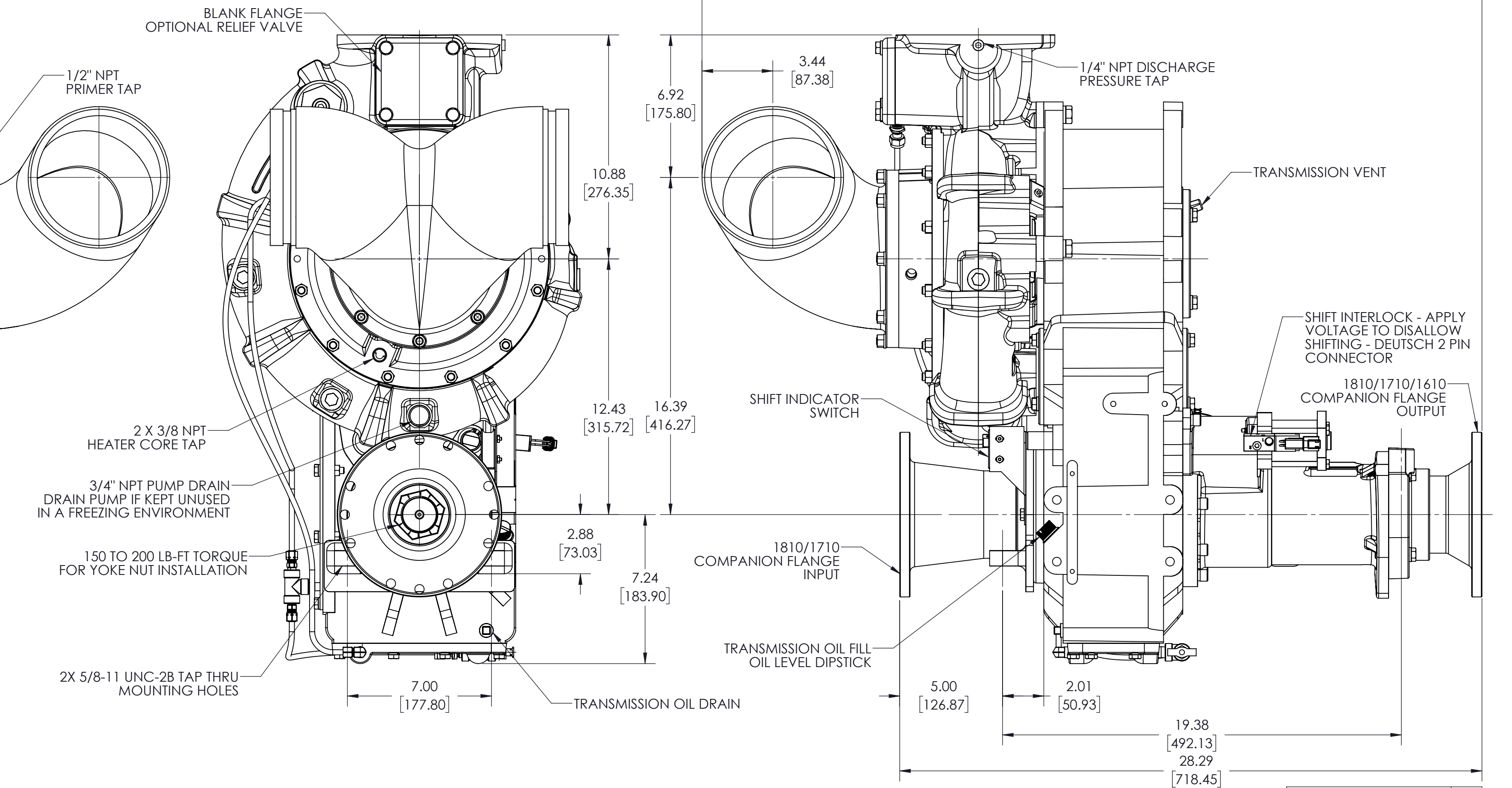
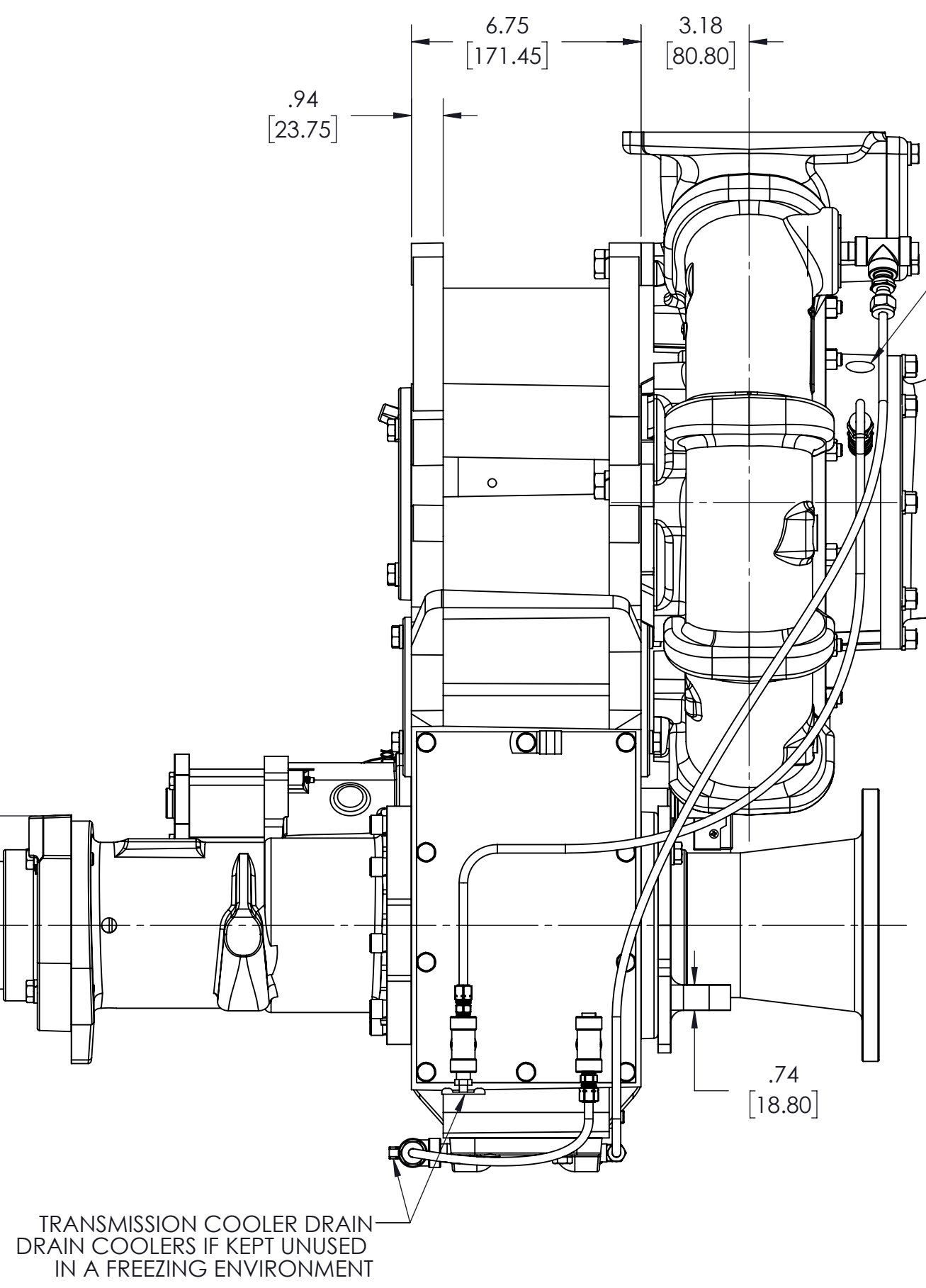
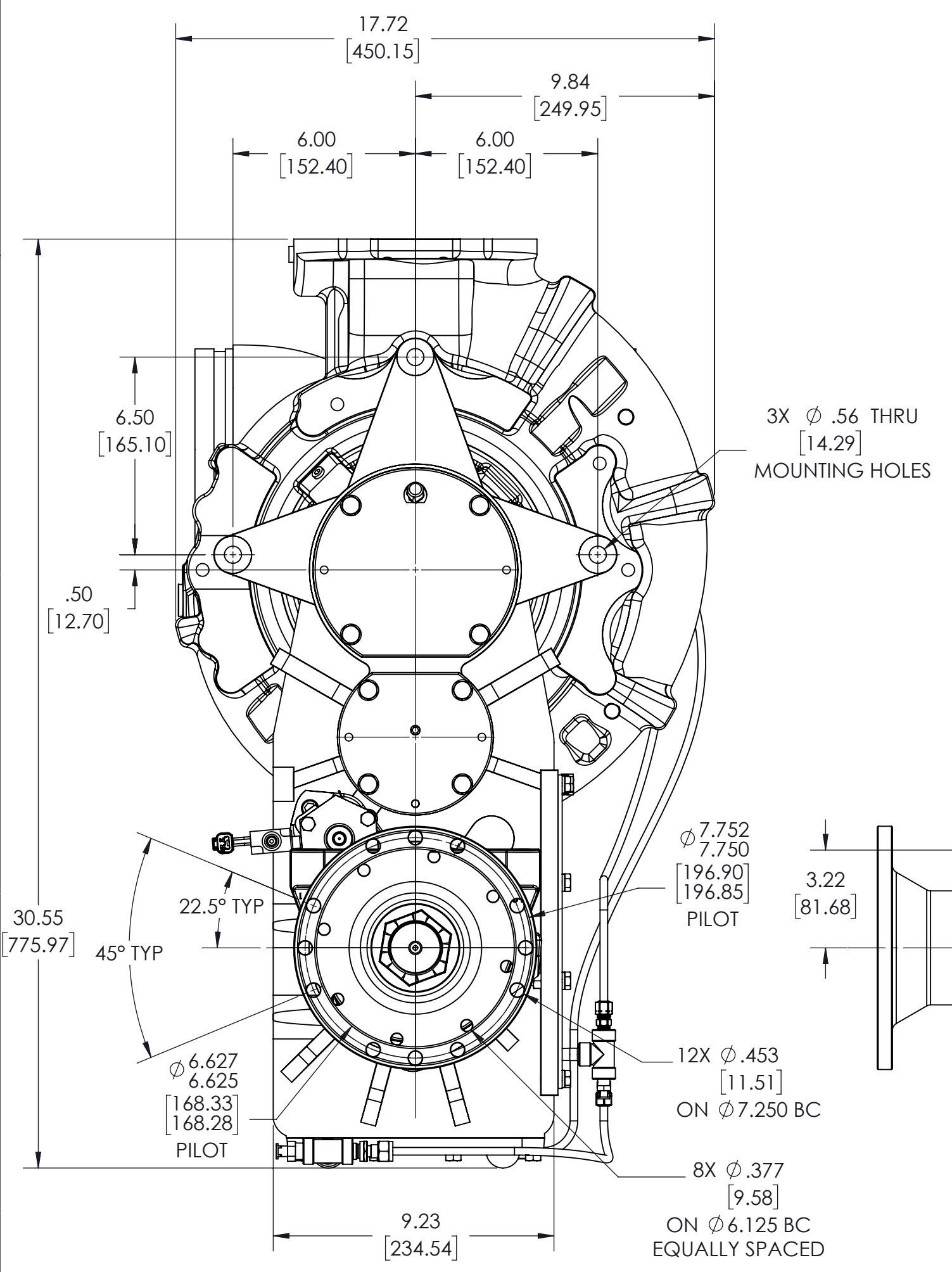
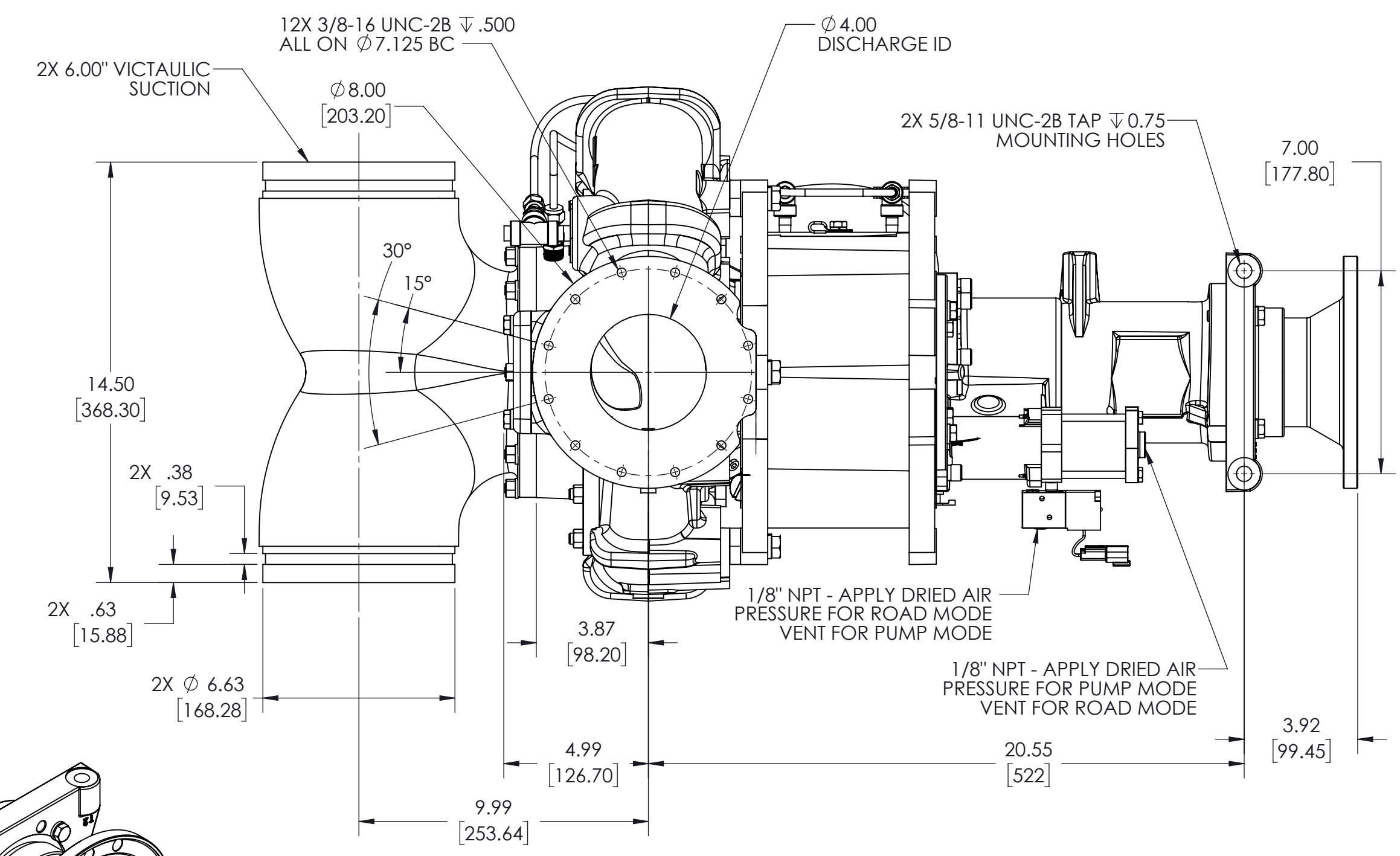
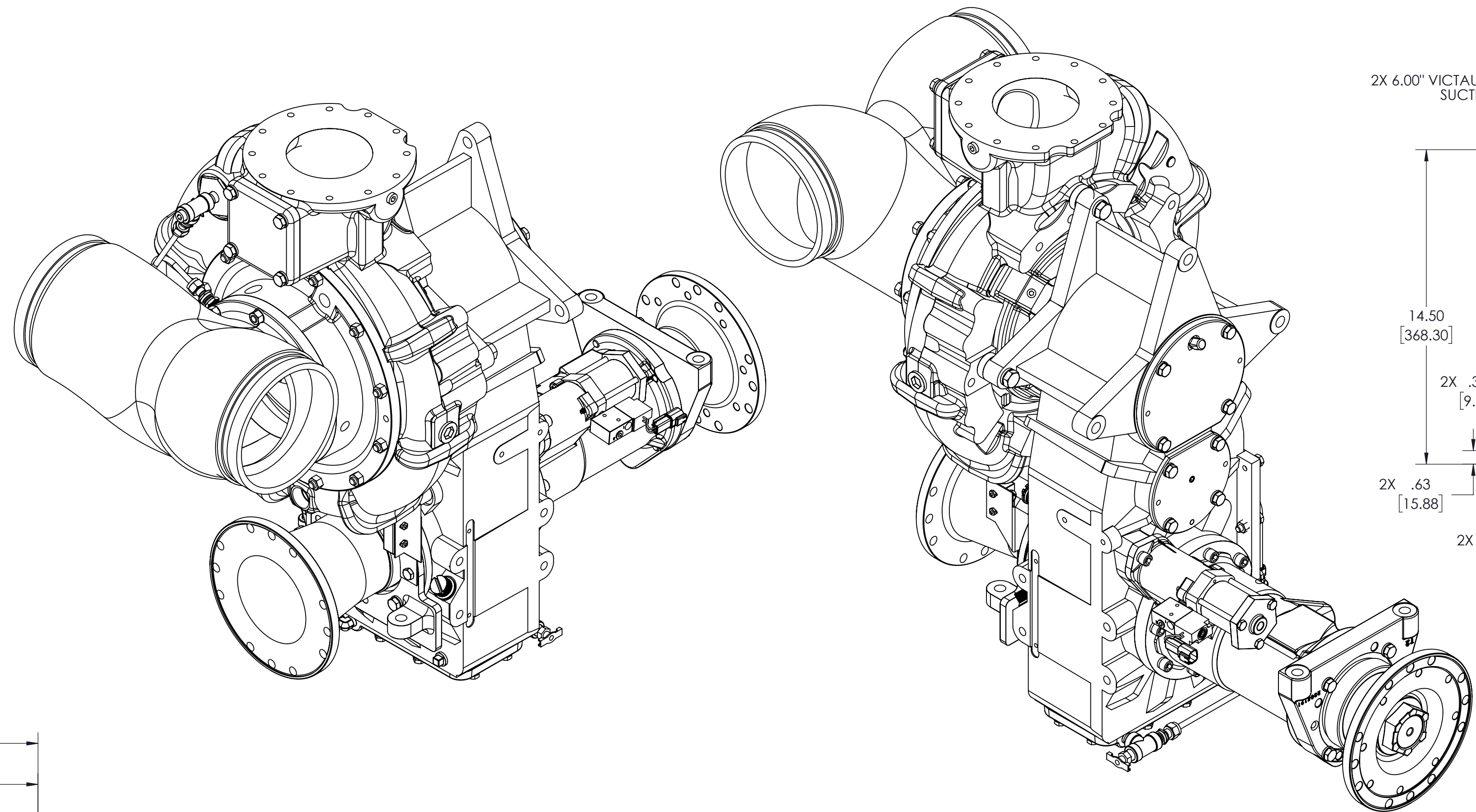


NOTES:
 1) ONLY SHIFT PUMP WHEN DRIVELINE IS NOT SPINNING
 2) APPROXIMATE WEIGHT: 548 LBS [249 KG]

ASSEMBLIES SHOWN:
 CAST IRON PUMP - PT01000
 TRANSMISSION - TM00238
 CAST IRON GEAR CASE - 1804204
 INPUT FLANGE - 4816811
 OUTPUT FLANGE - 4816810
 TRANSMISSION COOLER - AM00401
 TRANSMISSION COOLER - AM00403
 GEAR RATIO 2.12:1 - KR07701
 RV FLANGE - YF00601
 PUMP SHIFT - AH00403
 NO BRAKE - AB00403
 SHIFT INTERLOCK - AH00600
 SUCTION - KC02500



THIRD ANGLE PROJECTION		MODEL	SHEET
OLD PART NO.		DTD1007	1/1 D
REMOVE SHARP EDGES	INCH [MILLIMETER]	TOLERANCE EXCEPT AS NOTED	
MATERIAL DESCRIPTION	MASS	.00 ±.03	
	548.09 LBS	.000 ±.010	
		ANGLES ±1	
THIS DESIGN IS THE PROPERTY OF WS. DARLEY CO. - UNAUTHORIZED REPRODUCTION IS PROHIBITED	ALL DIMENSIONS IN INCHES UNLESS NOTED	DWG - TSM, PUMP FORWARD COMP FLANGES, SWEPT TEE	
		DATE: 10/7/2020	
		SCALE: 1:4	
		DTD1007	

DO NOT SCALE PRINT

