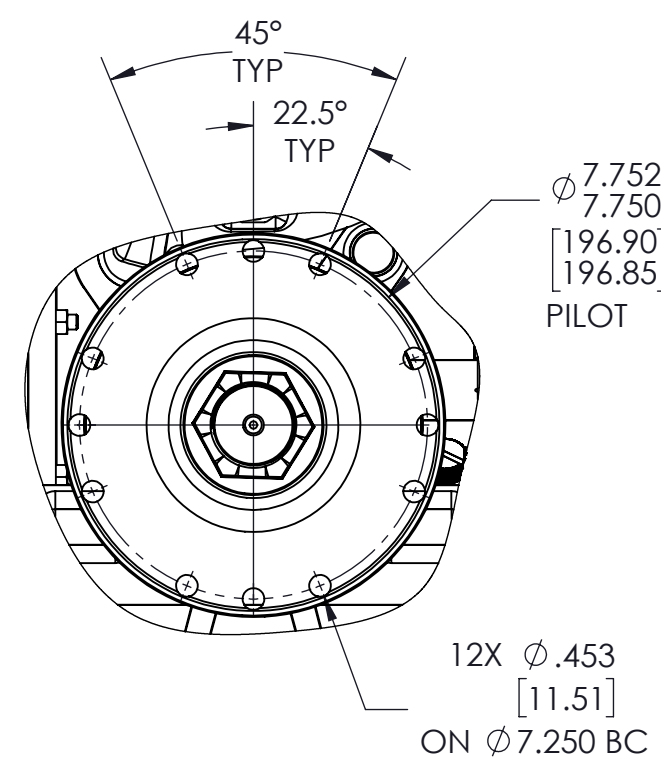
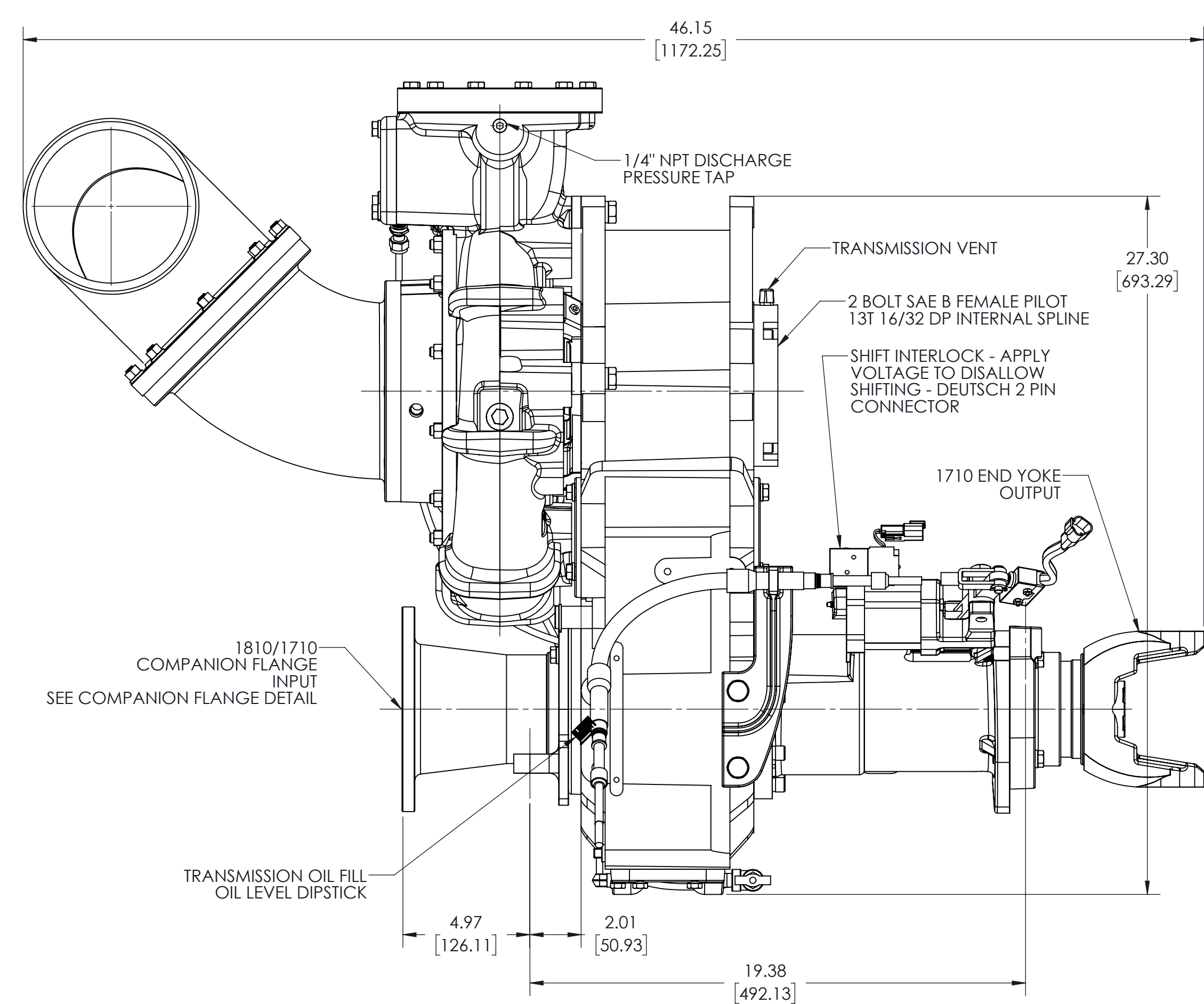
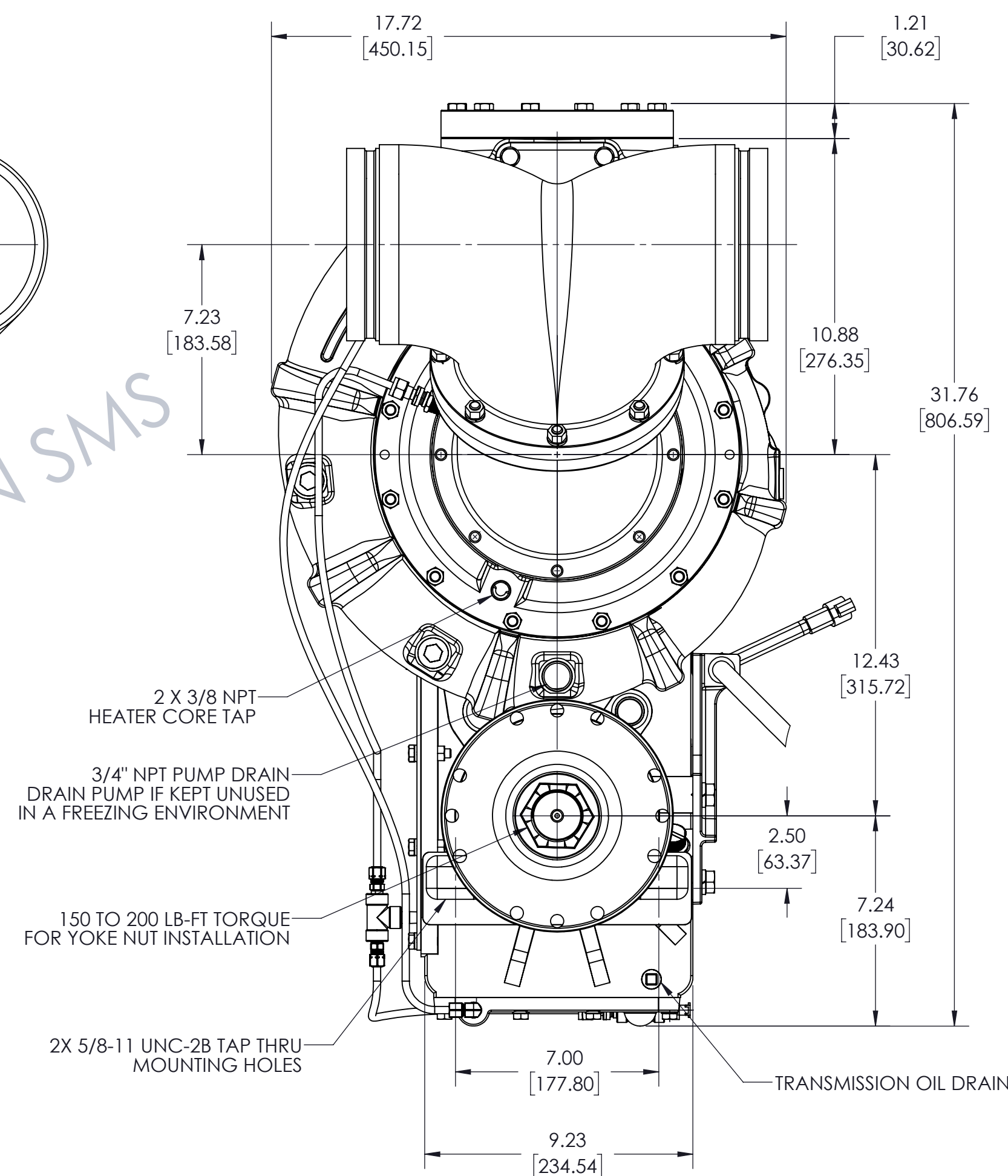
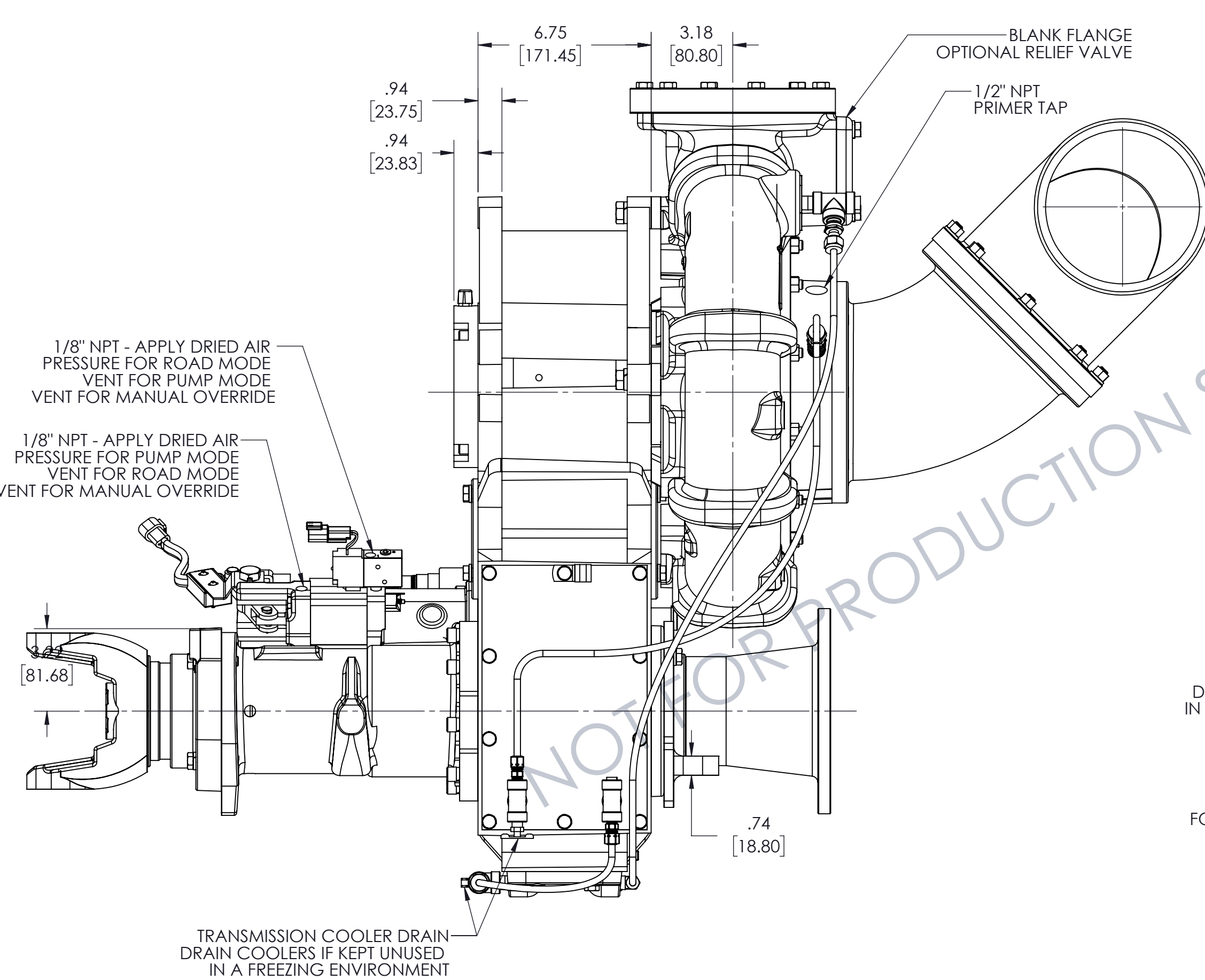
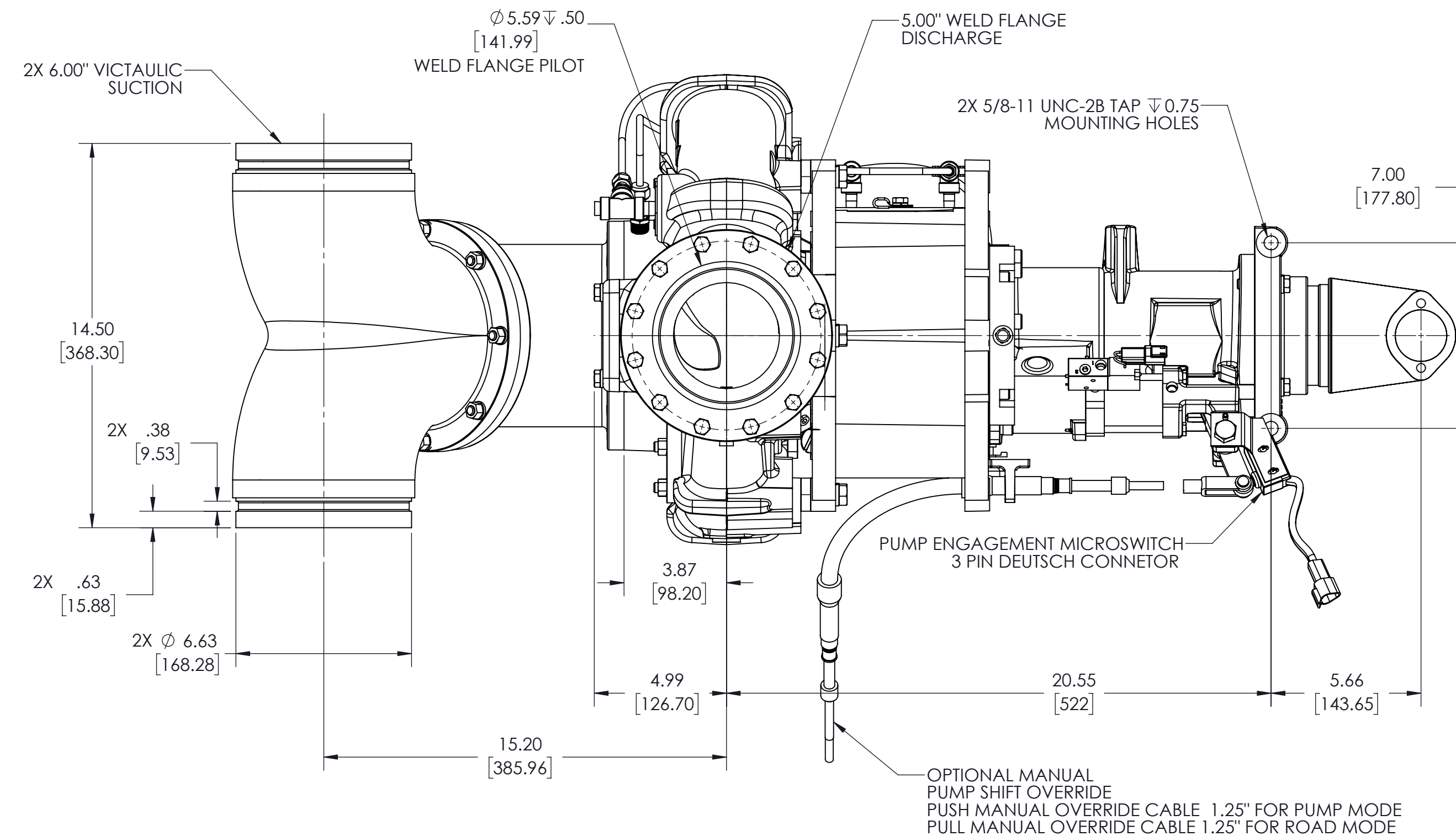
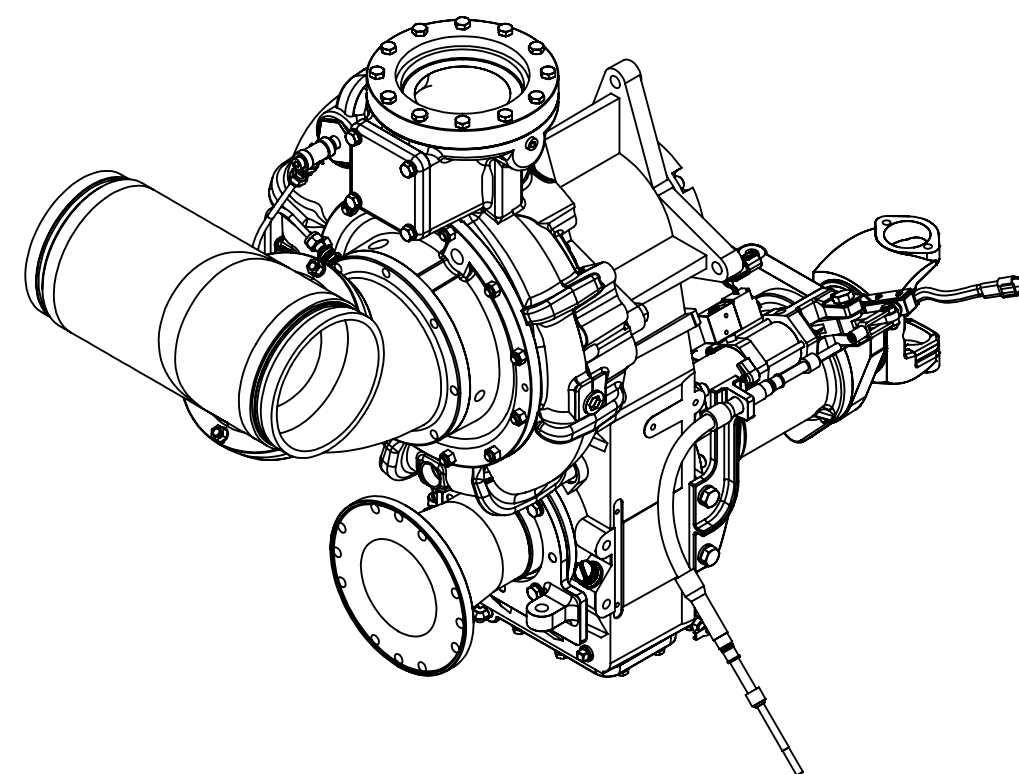
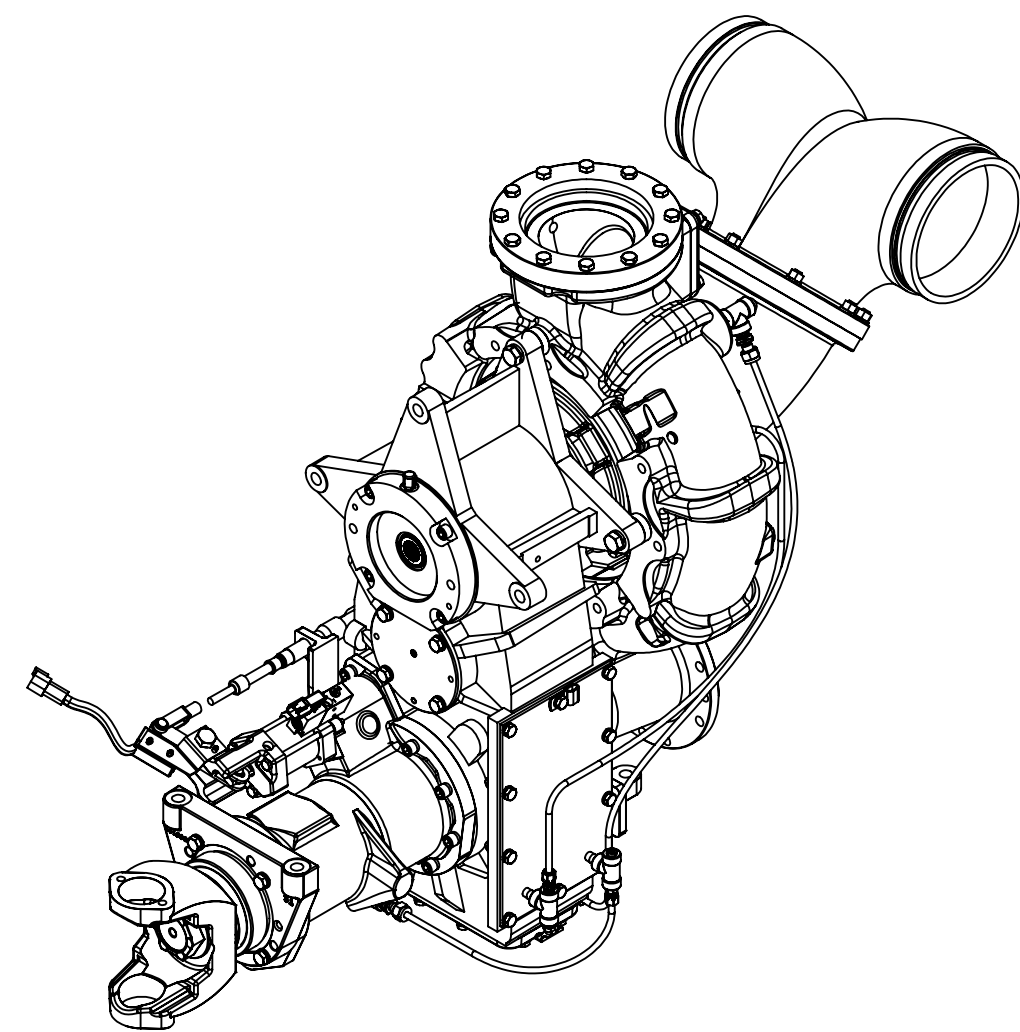


NOTES:
 1) ONLY SHIFT PUMP WHEN DRIVELINE IS NOT SPINNING
 2) APPROXIMATE WEIGHT: 585 LBS [265 KG]

ASSEMBLIES SHOWN:
 CAST IRON PUMP - PT01002
 TRANSMISSION - TM00237
 CAST IRON GEAR CASE - 1804204
 INPUT FLANGE - 4816811
 OUTPUT FLANGE - 4813410
 TRANSMISSION COOLER - AM00401
 TRANSMISSION COOLER - AM00403
 GEAR RATIO 2.12:1 - KR07701
 RV FLANGE - YF00601
 PUMP SHIFT - AH00117
 PUMP SHIFT - AH00110
 NO BRAKE - AB00403
 SHIFT INTERLOCK - AH00600
 SUCTION EXT - KC02600
 SUCTION TEE - KC2501
 DISCHARGE FLANGE - YF00142



COMPANION FLANGE DETAIL



REMOVE SHARP EDGES		THIRD ANGLE PROJECTION		MODEL DTD1003		SHEET 1/1	
MATERIAL DESCRIPTION		OLD PART NO.		TOLERANCE EXCEPT AS NOTED		Darley ITASCA, IL CHIPPEWA FALLS, WI	
MASS 585.60 LBS		PATTERN NO.		.000 ±.03 .000 ±.010 ANGLES ±1		DWG - TSM, PUMP FORWARD SAE B HYD ADAPT, MANIFOLDS	
THIS DESIGN IS THE PROPERTY OF WS DARLEY CO. UNAUTHORIZED REPRODUCTION IS PROHIBITED		ALL DIMENSIONS IN INCHES UNLESS NOTED		DRWN SMS CKHD WAH TRCD		DATE: 5/6/2020 SCALE: 1:4 DWT1003	

DO NOT SCALE PRINT