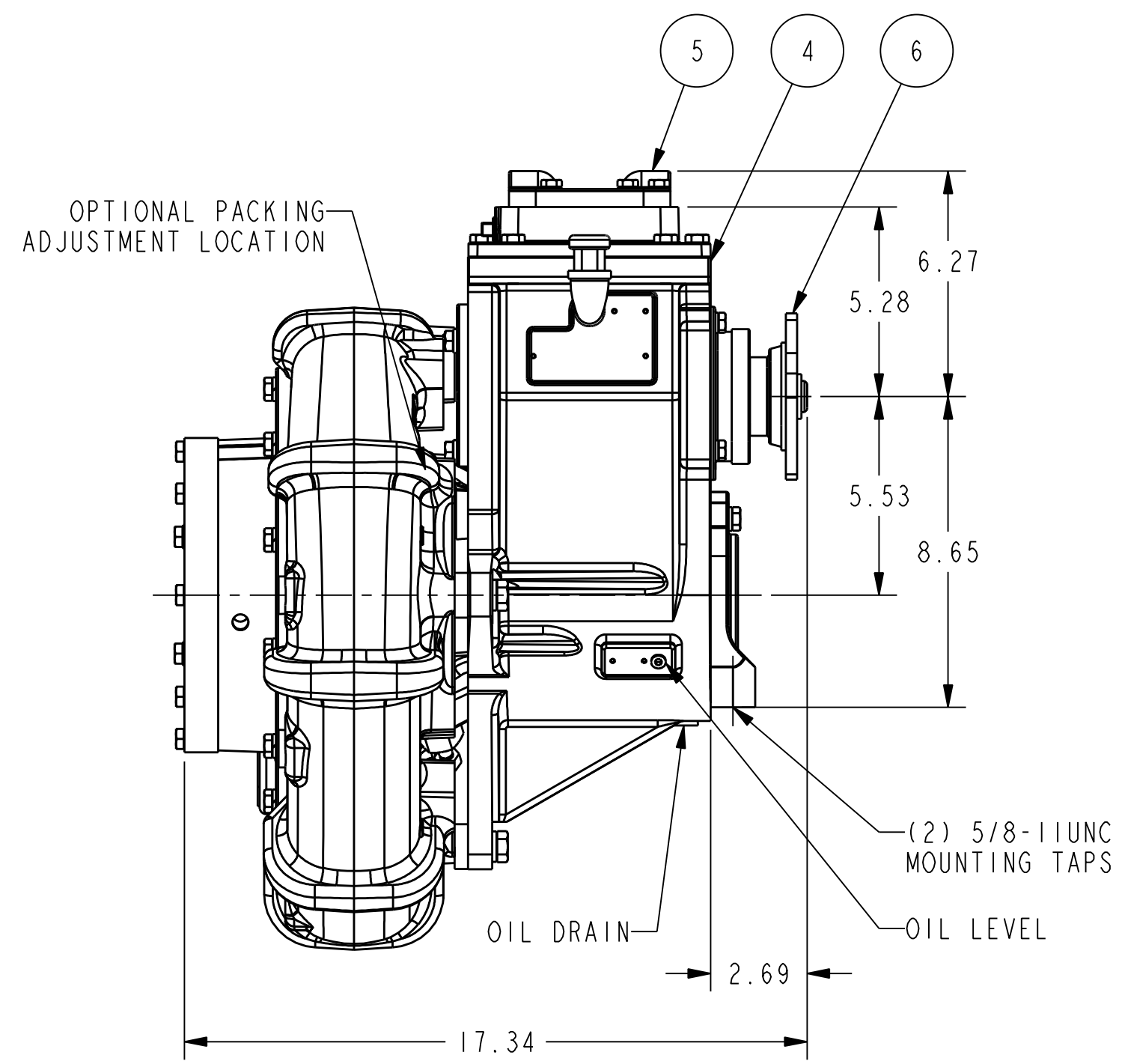
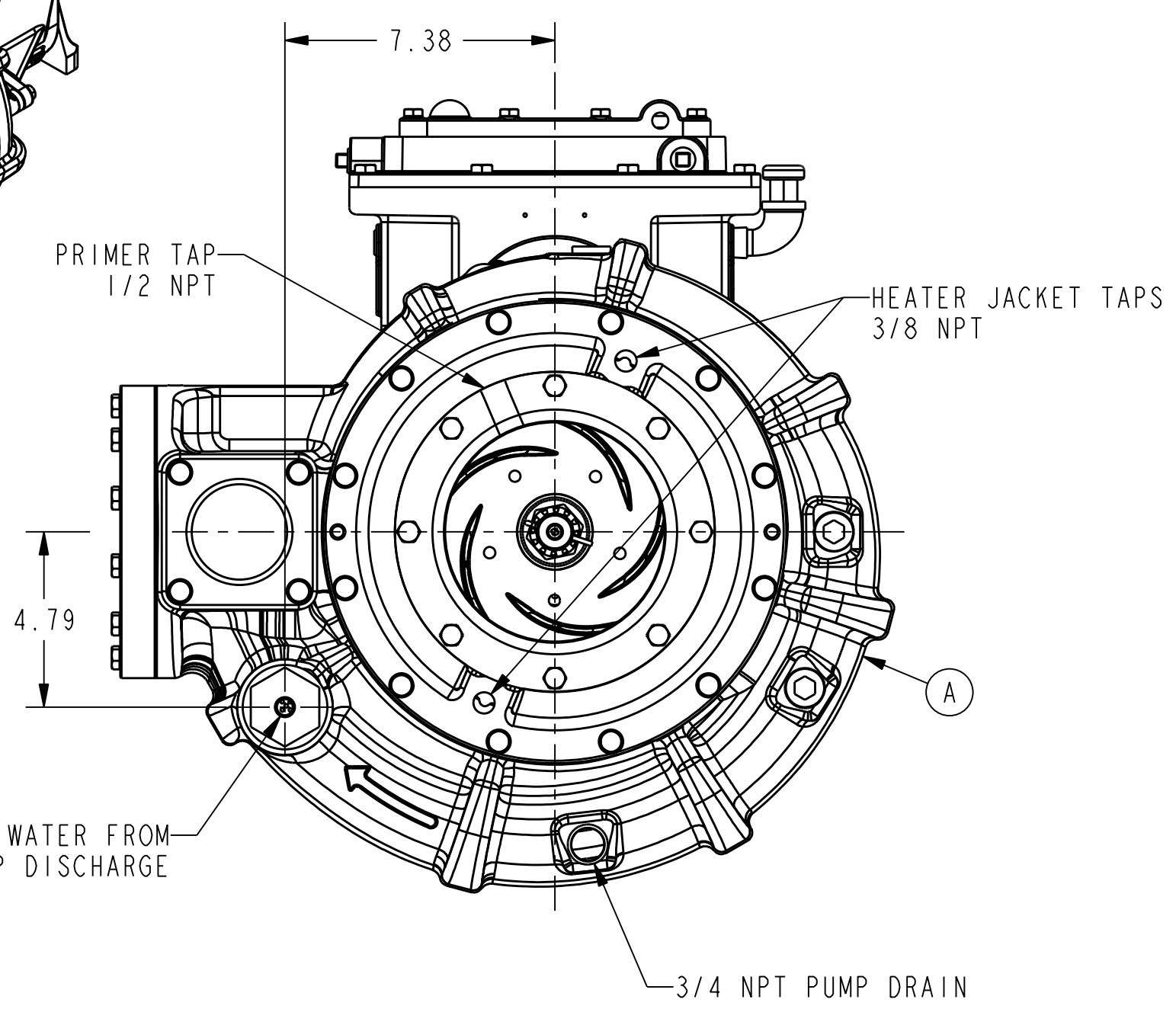
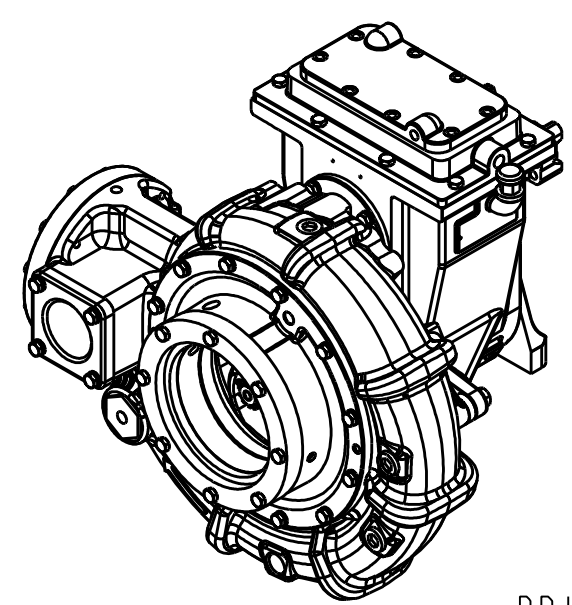
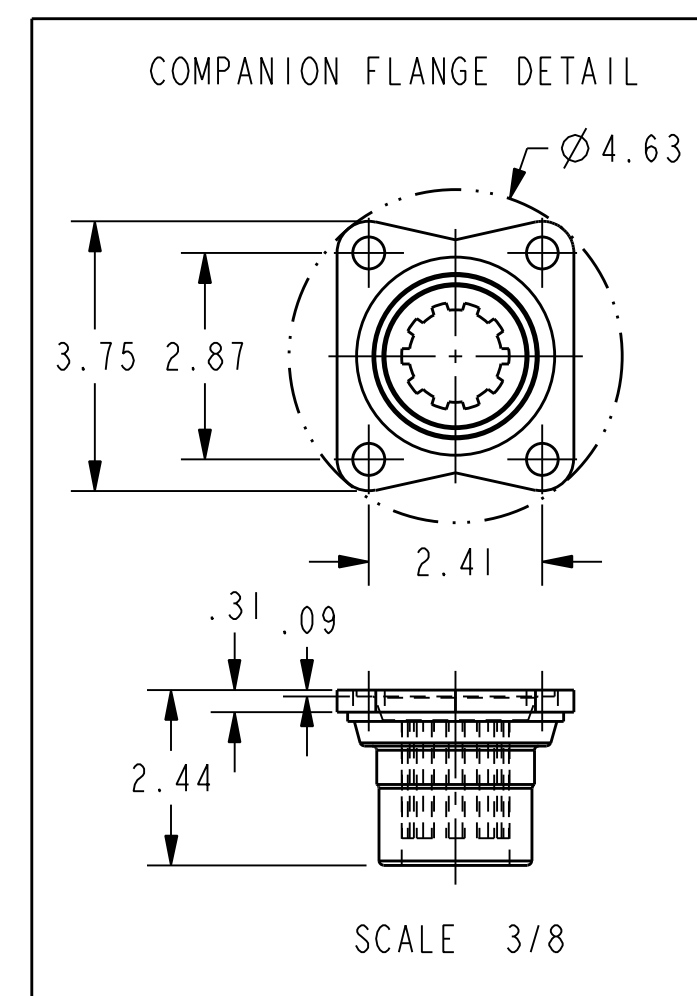
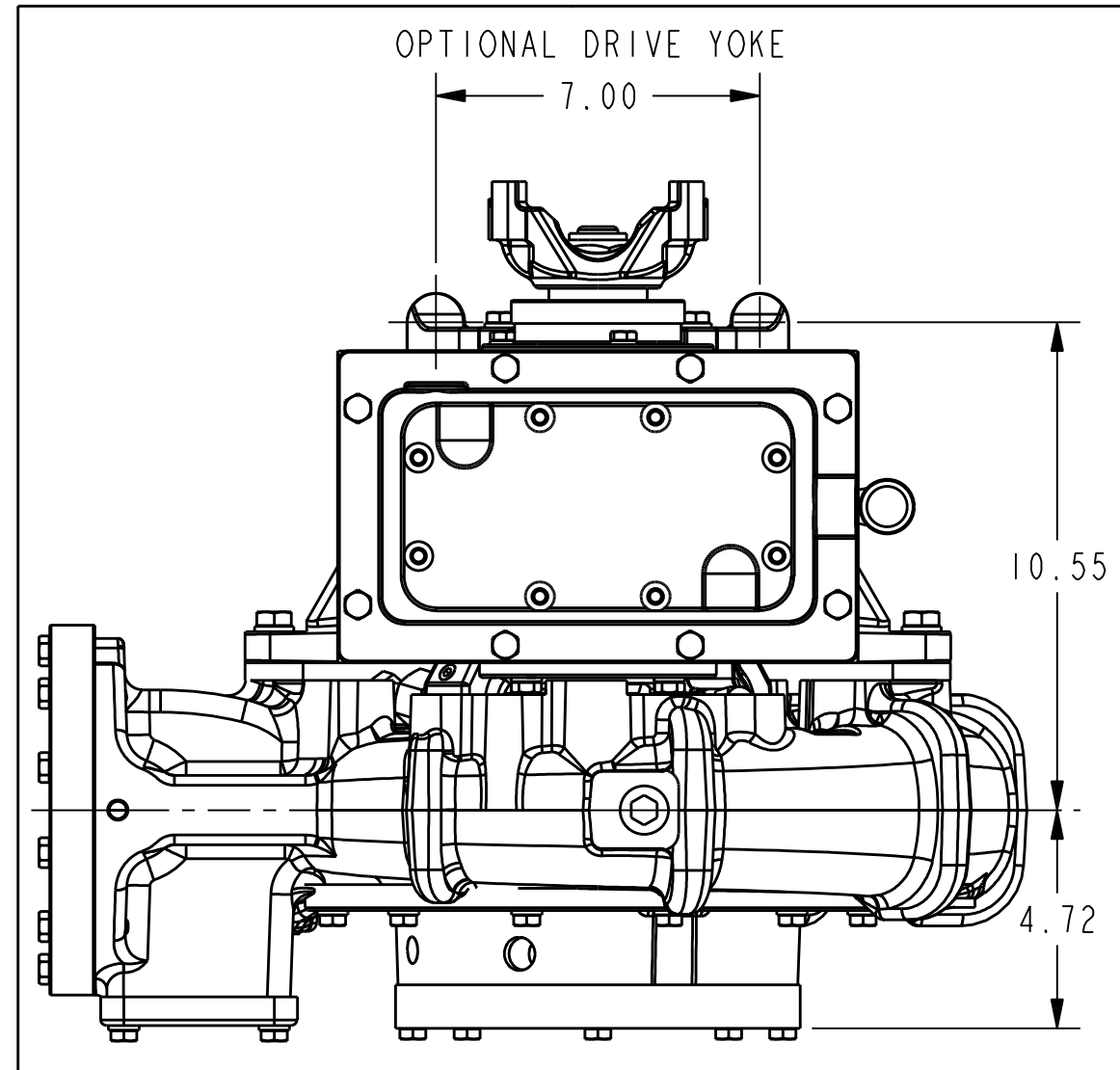
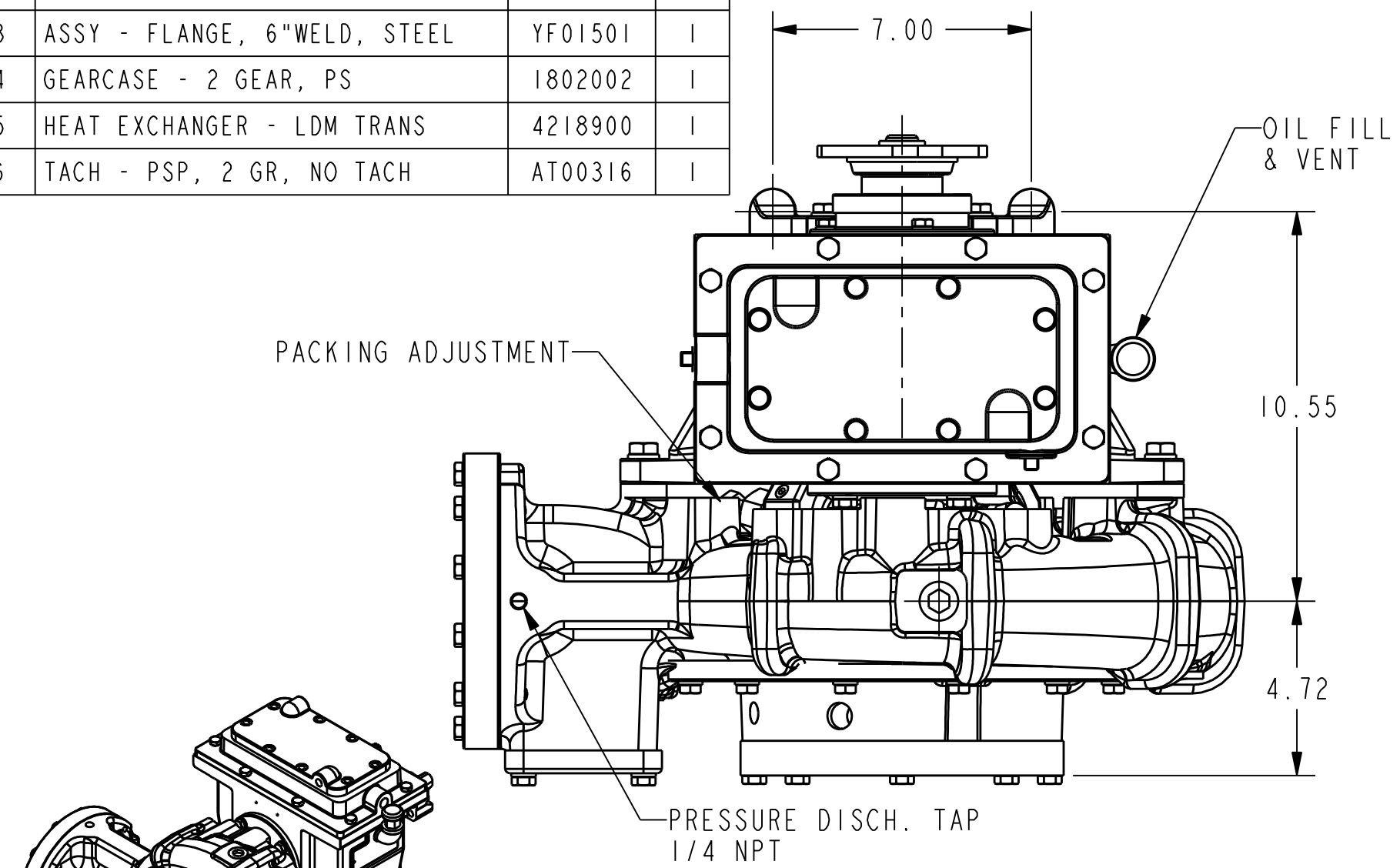


NO.	DESCRIPTION	PART NO.	QTY.
1	ASSY - FLANGE COVER, BLANK CI	YF00601	1
2	ASSY - FLANGE, 5"WELD, STEEL	YF00142	1
3	ASSY - FLANGE, 6"WELD, STEEL	YF01501	1
4	GEARCASE - 2 GEAR, PS	1802002	1
5	HEAT EXCHANGER - LDM TRANS	4218900	1
6	TACH - PSP, 2 GR, NO TACH	AT00316	1

REVISIONS				
LTR	DESCRIPTION	DATE	CHG NO.	APPR'D
A	2056700 PUMP CASING WAS 2054510	8/27/13	10263	CWY



NOTE: SHOWN WITH OPTIONAL COOLER.
COOLER STANDARD ON 1500 GPM RATED PUMP.
OPTIONAL 5" AND 6" NPT FLANGES AVAILABLE

REMOVE SHARP EDGES		INCH [MILLIMETER]	THIRD ANGLE PROJECTION	OLD PART NO.	TOLERANCE EXCEPT AS NOTED .00 ±.03 .000 ±.010 ANGLES ±1°	MODEL NAME DPD1113	MDL CREATED 24-Aug-10	SHEET 1/1	C
MATERIAL DESCRIPTION:		MATERIAL NO.	PATTERN NO.	W.S. Darley & Co. ITASCA, IL - CHIPPEWA FALLS, WI		DWG - PSP, 2GR LOCK ON, NO TACH DIMENSIONAL			
THIS DESIGN IS THE PROPERTY OF W.S. DARLEY AND CO. - UNAUTHORIZED REPRODUCTION IS PROHIBITED		ALL DIMENSIONS IN INCHES UNLESS NOTED		DO NOT SCALE PRINT		DR 'N AAN	DATE 24-Aug-10	DPD1113	
						CHKD MCR	SCALE 1/4		
						TRCD			