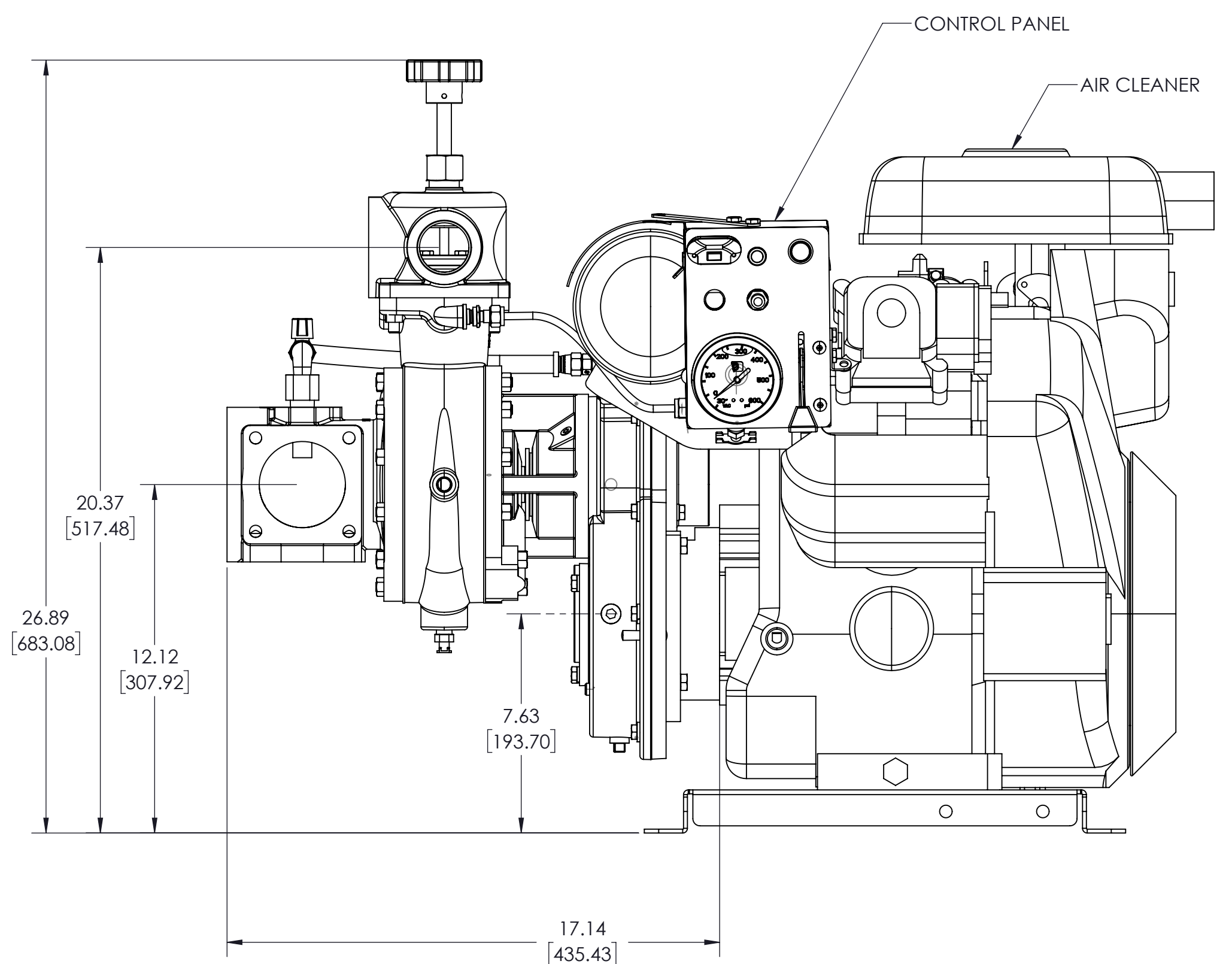
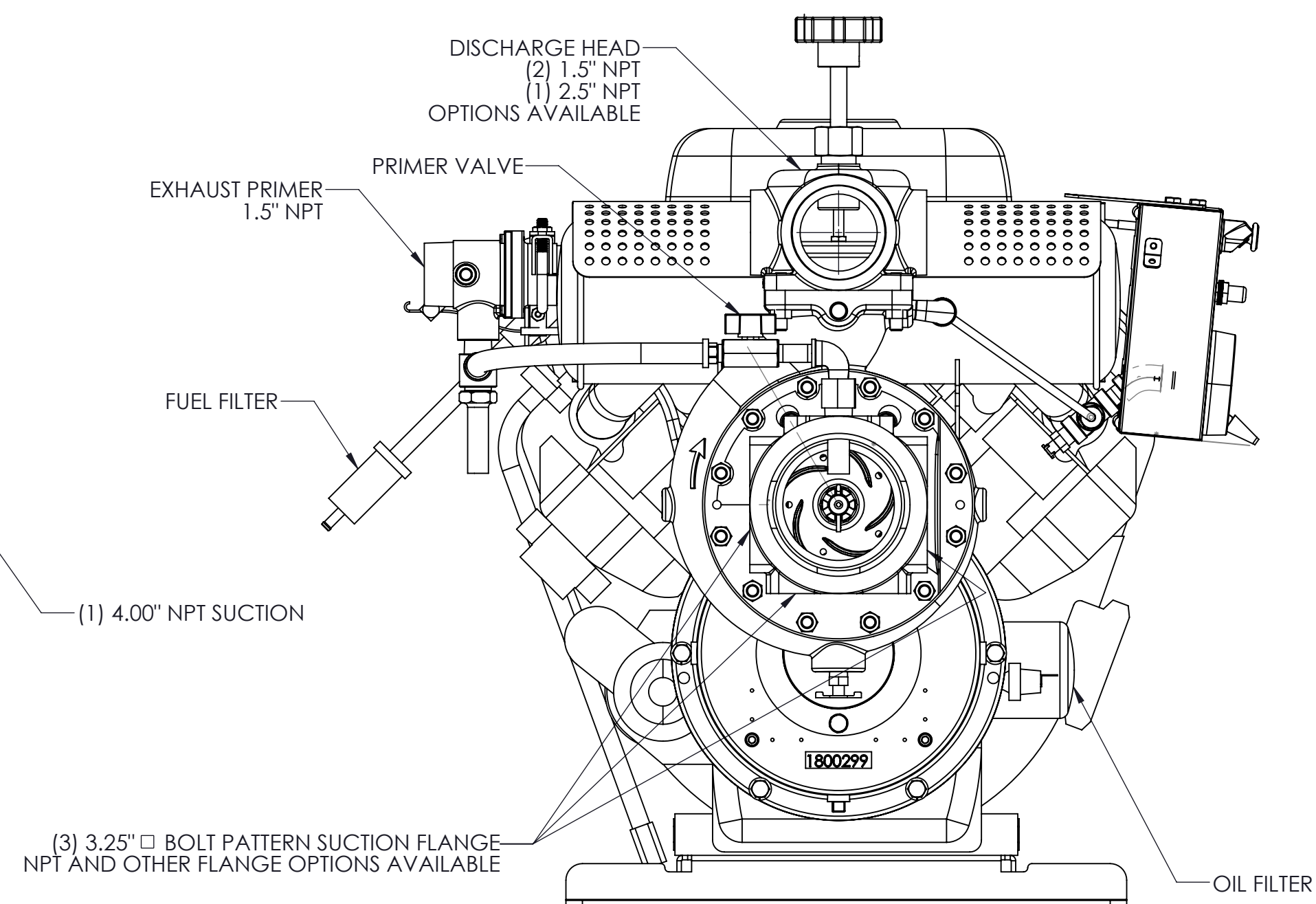
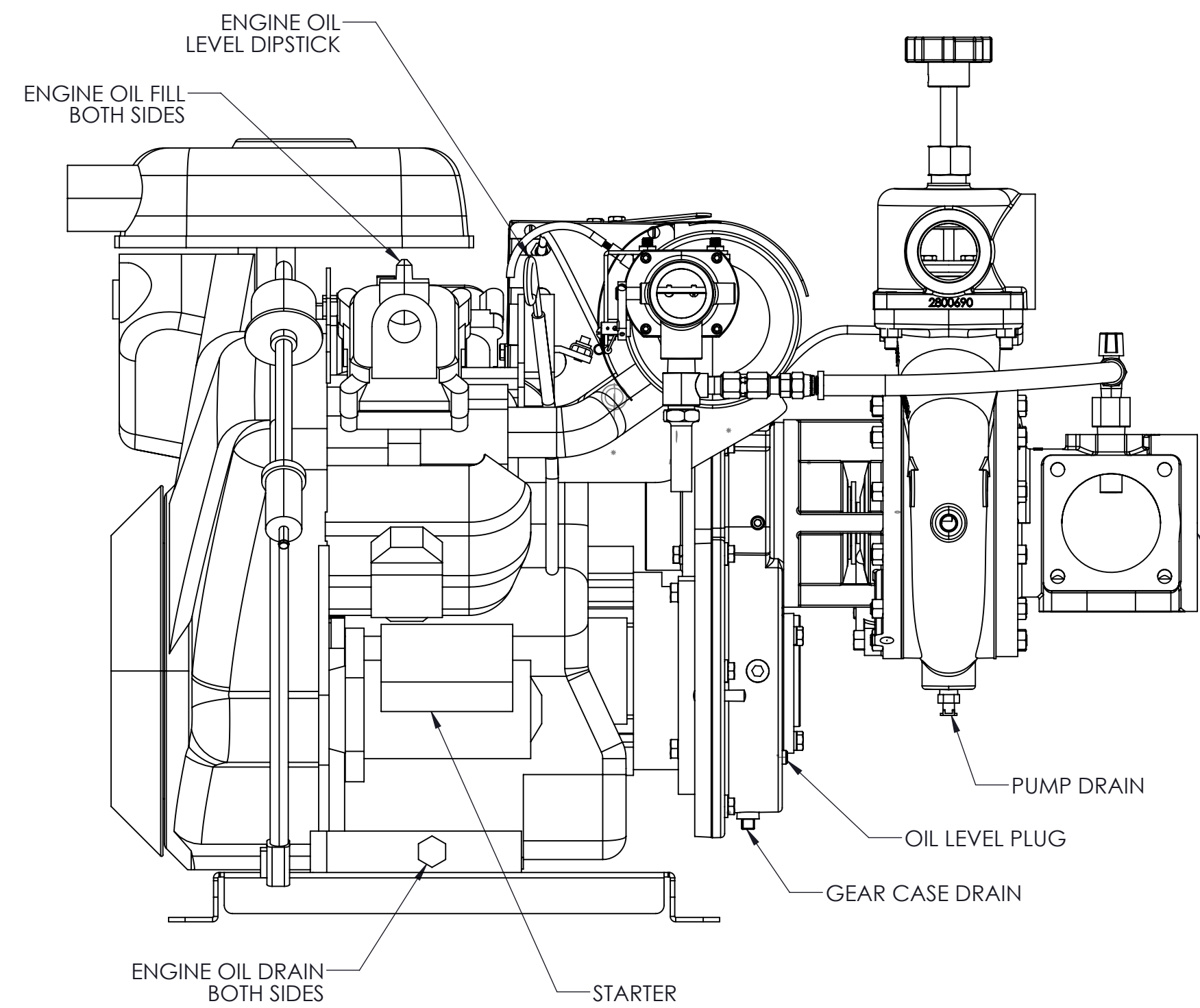
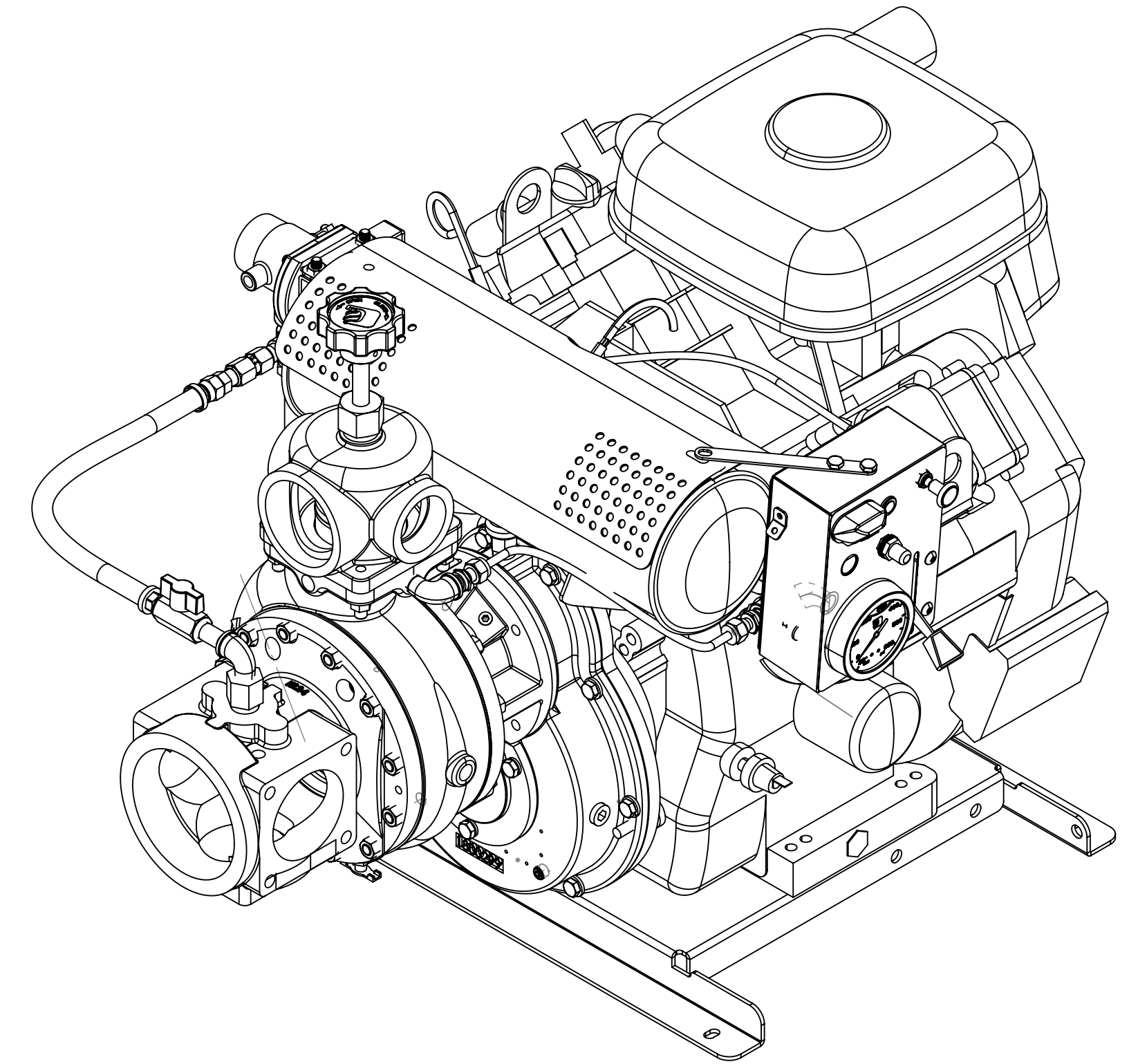
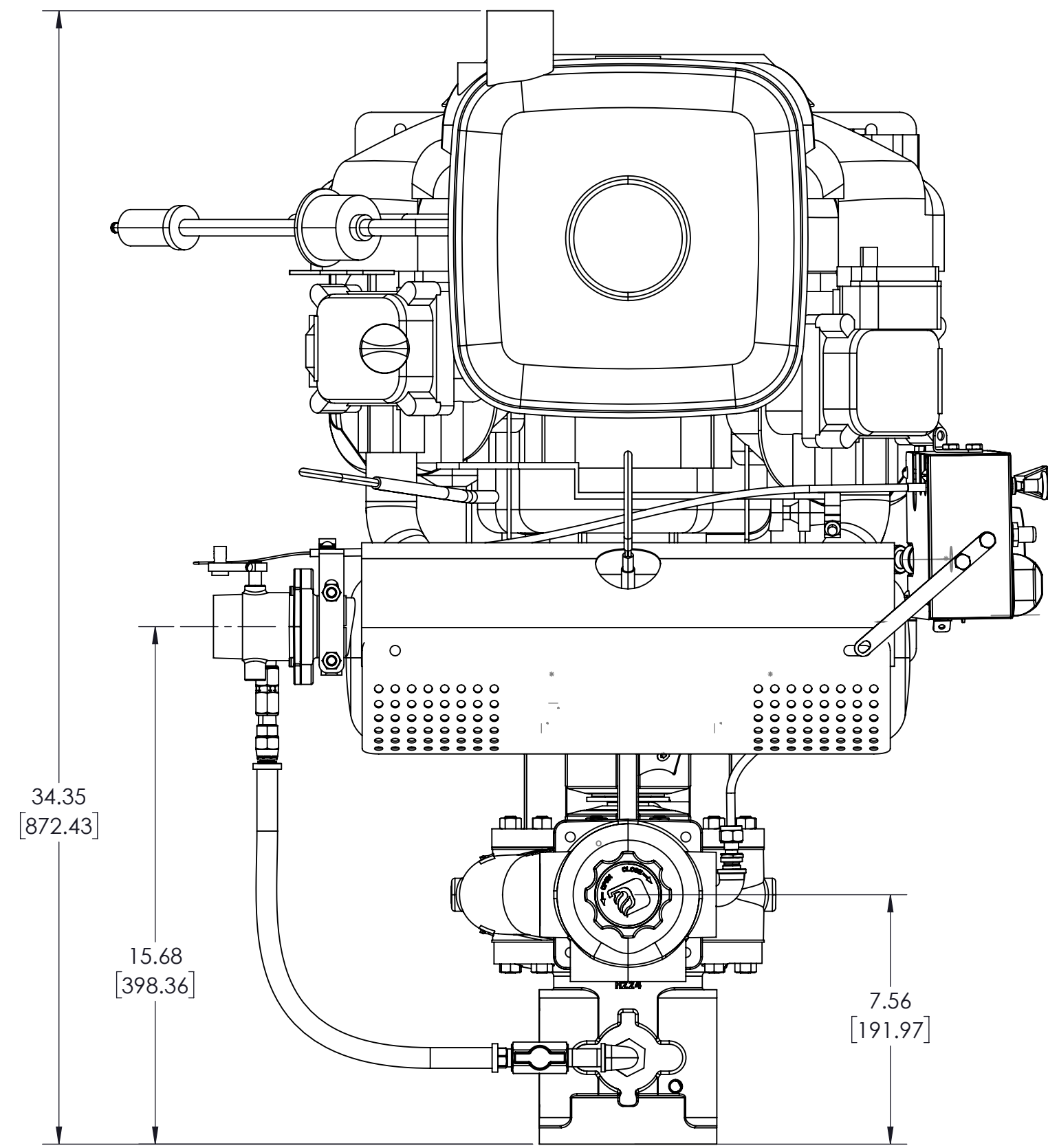


BOTTOM VIEW



REMOVE SHARP EDGES		THIRD ANGLE PROJECTION		MODEL	SHEET
MATERIAL DESCRIPTION		OLD PART NO.		DHD2921	1/1
INCH [MILLIMETER]	MASS	MATERIAL NO.	PATTERN NO.	TOLERANCE EXCEPT AS NOTED	 ITASCA, IL CHIPPEWA FALLS, WI
241.73 LBS	241.73 LBS			.00 ±.03 .000 ±.010 ANGLES ±1	
THIS DESIGN IS THE PROPERTY OF WS. DARLEY CO. - UNAUTHORIZED REPRODUCTION IS PROHIBITED		ALL DIMENSIONS IN INCHES UNLESS NOTED		DRWN	DATE: 02/04/2019
		DO NOT SCALE PRINT		CKHD	SCALE: 1:4
				TRCD	DHD2921