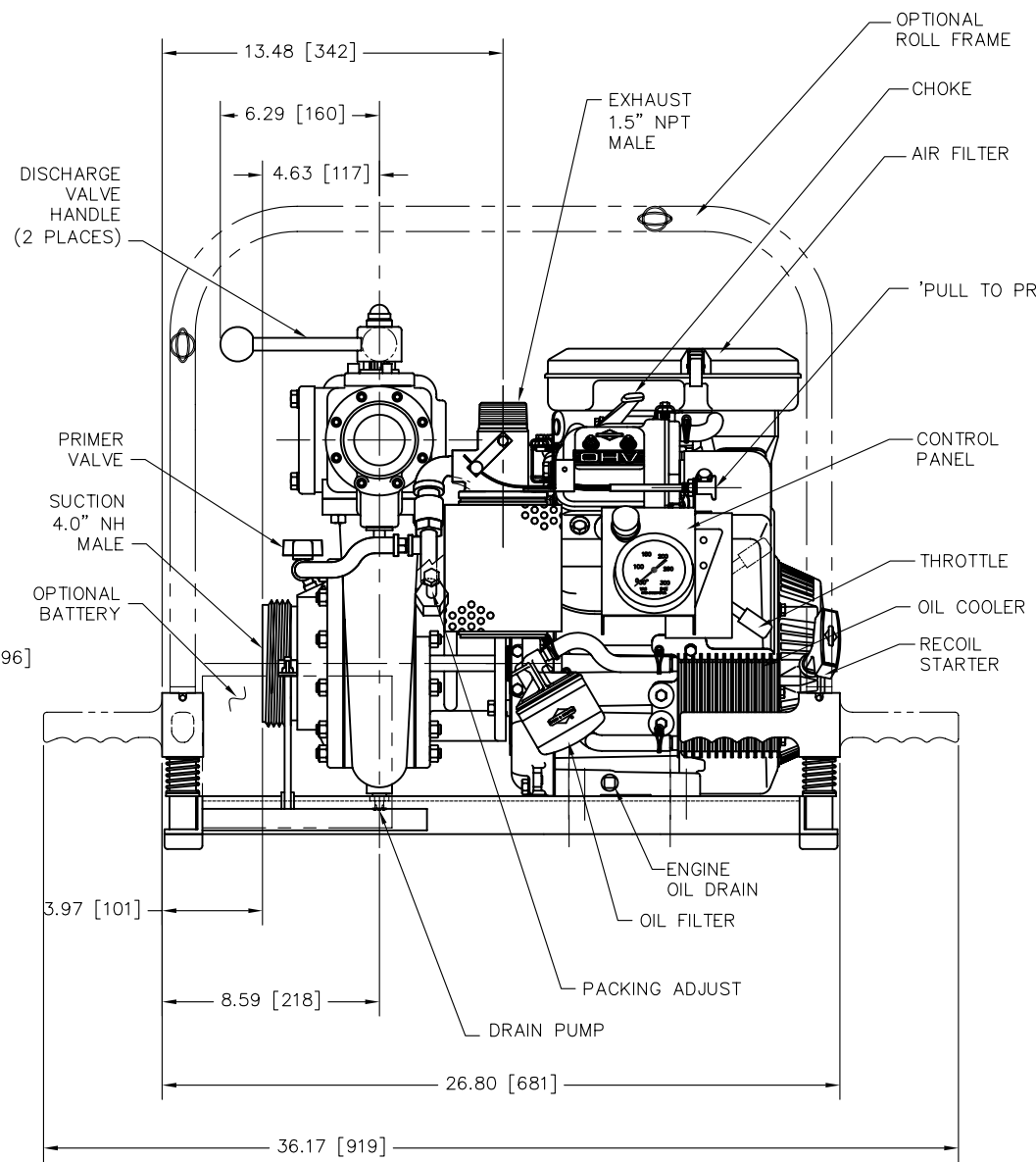
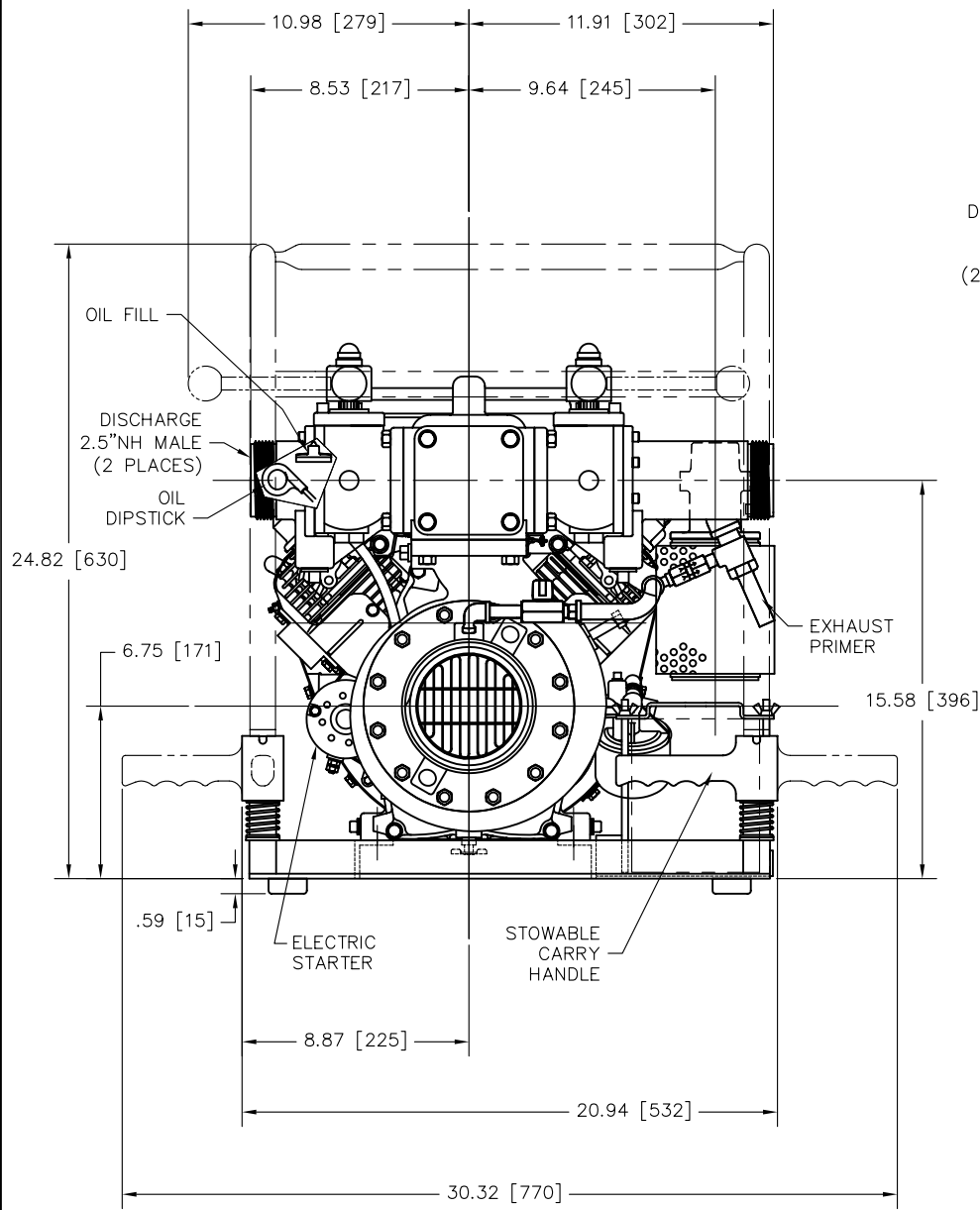


REVISIONS				
LTR	DESCRIPTION	DATE	CHG NO.	APPR'D



APPROXIMATE  
WEIGHT  
220 LBS  
[100 KG]

REMOVE SHARP EDGES

INCH [MILLIMETER]

MATERIAL DESCRIPTION: - - -		MATERIAL NO. -	PATTERN NO. -	OLD PART NO. -	TOLERANCE EXCEPT AS NOTED .00 ±.03 .000 ±.010 ANGLES ±1°	<b>W.S. DARLEY &amp; Co.</b> MELROSE PARK, IL - CHIPPEWA FALLS, WI DWG - HE23V DIMENSIONAL
THIS DESIGN IS THE PROPERTY OF W.S. DARLEY AND CO. - UNAUTHORIZED REPRODUCTION IS PROHIBITED		DO NOT SCALE PRINT		DR'N WMW CHRBD/CKE/DMJ TRCD	DATE 09MAY02 SCALE 1/4	

**DHD1600**