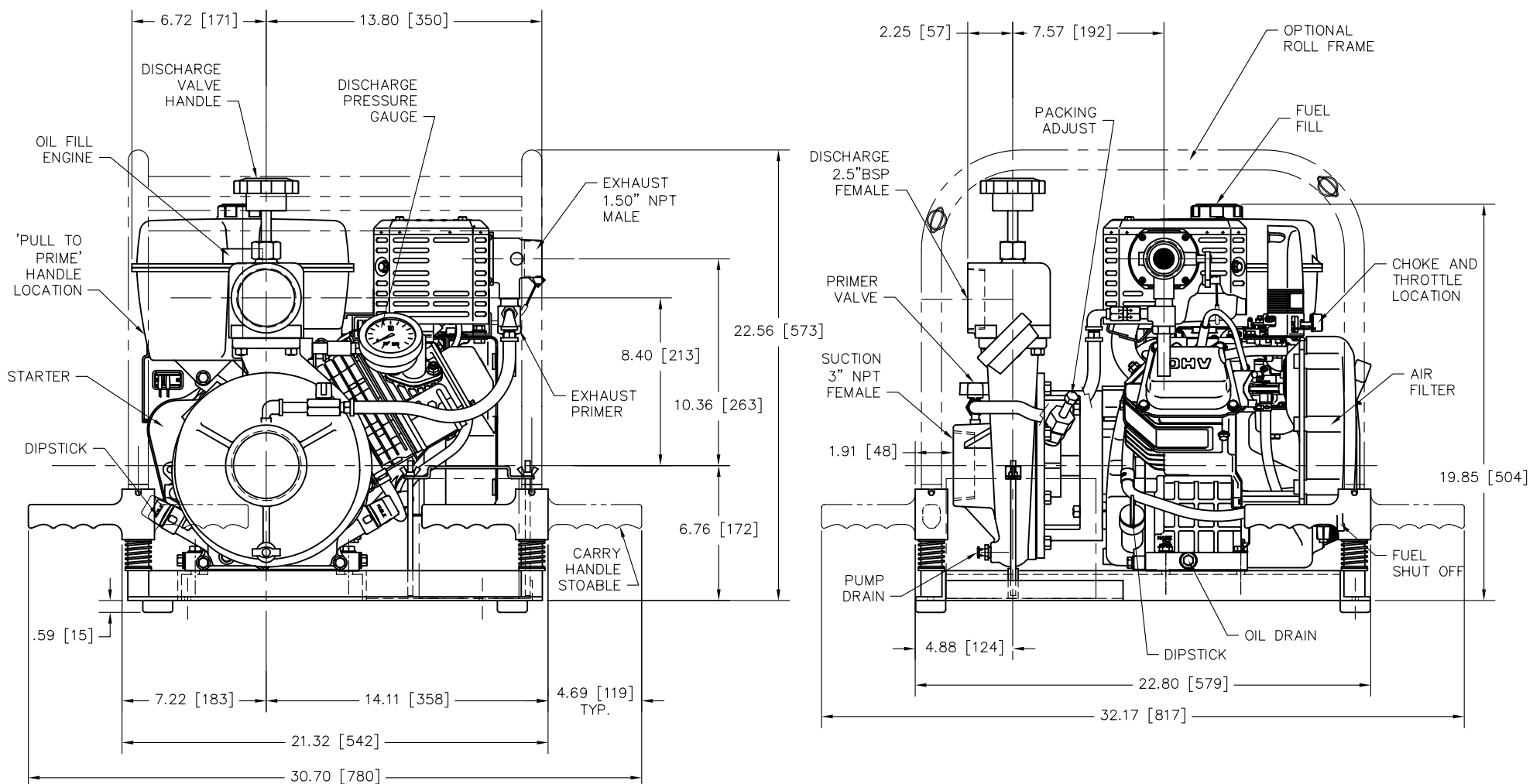


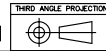
REVISIONS				
LTR	DESCRIPTION	DATE	CHG NO.	APPR'D



APPROXIMATE WEIGHT
133 LBS
[60.4 KG]

REMOVE SHARP EDGES

INCH
[MILLIMETER]



MATERIAL DESCRIPTION: - - -	MATERIAL NO.	PATTERN NO.	OLD PART NO. -	TOLERANCE EXCEPT AS NOTED .00 ±.03 .000 ±.010 ANGLES ±1°	W.S. DARLEY & Co. MELROSE PARK, IL - CHIPPEWA FALLS, WI DWG - 2BE13V DIMENSIONAL	
	THIS DESIGN IS THE PROPERTY OF W.S. DARLEY AND CO. - UNAUTHORIZED REPRODUCTION IS PROHIBITED			DR'N WMW		DATE 3MAR02
	ALL DIMENSIONS IN INCHES UNLESS NOTED			CHKD CKE		SCALE 1/4

DO NOT SCALE PRINT

DBD0001