

8

7

6

5

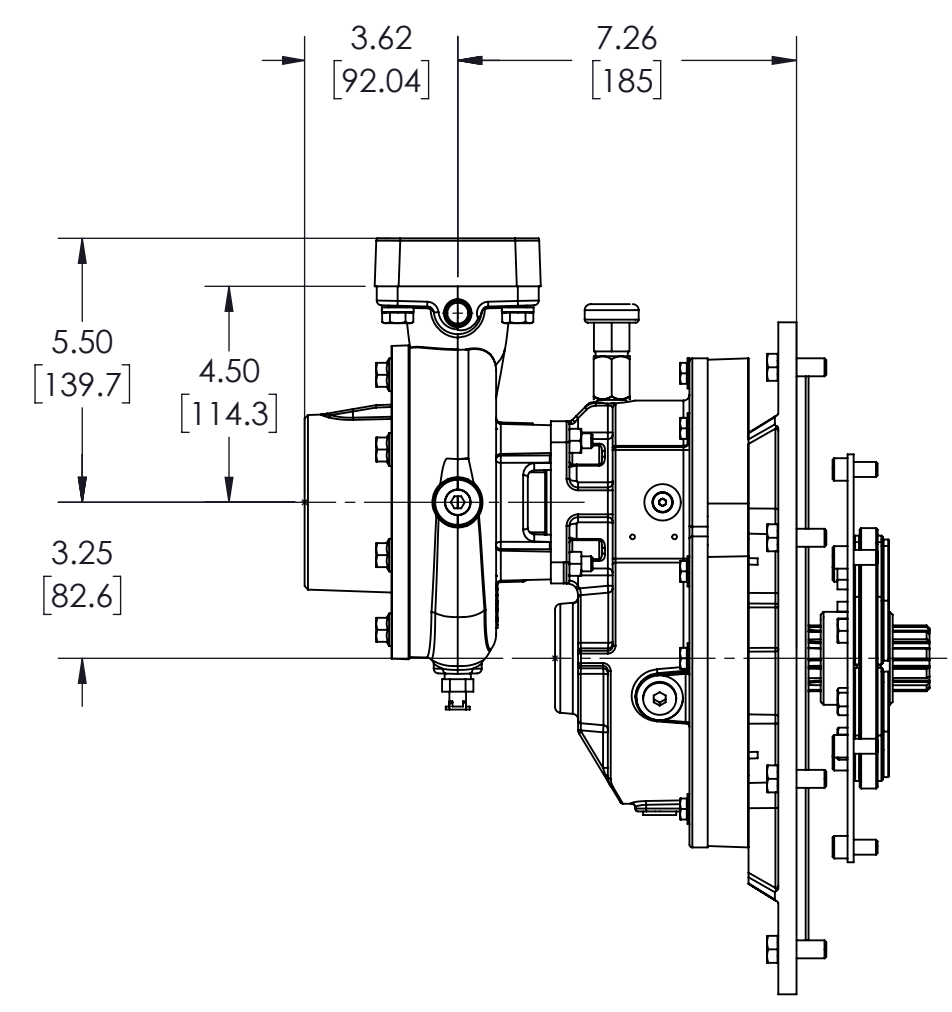
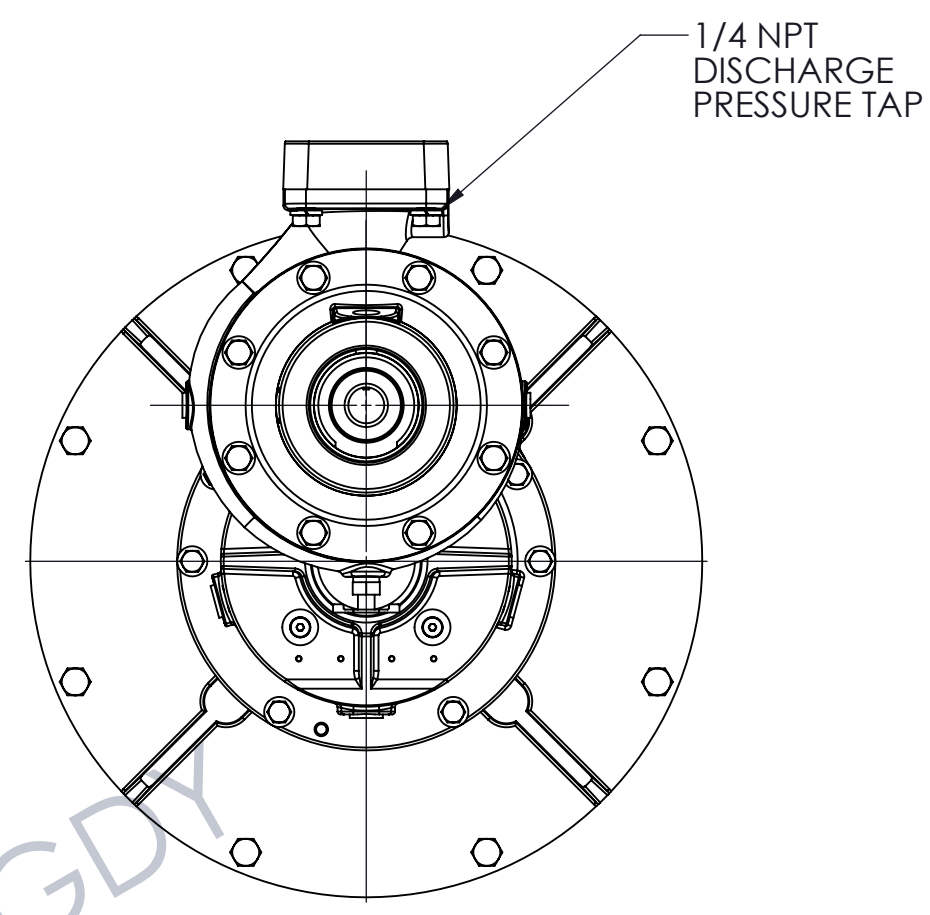
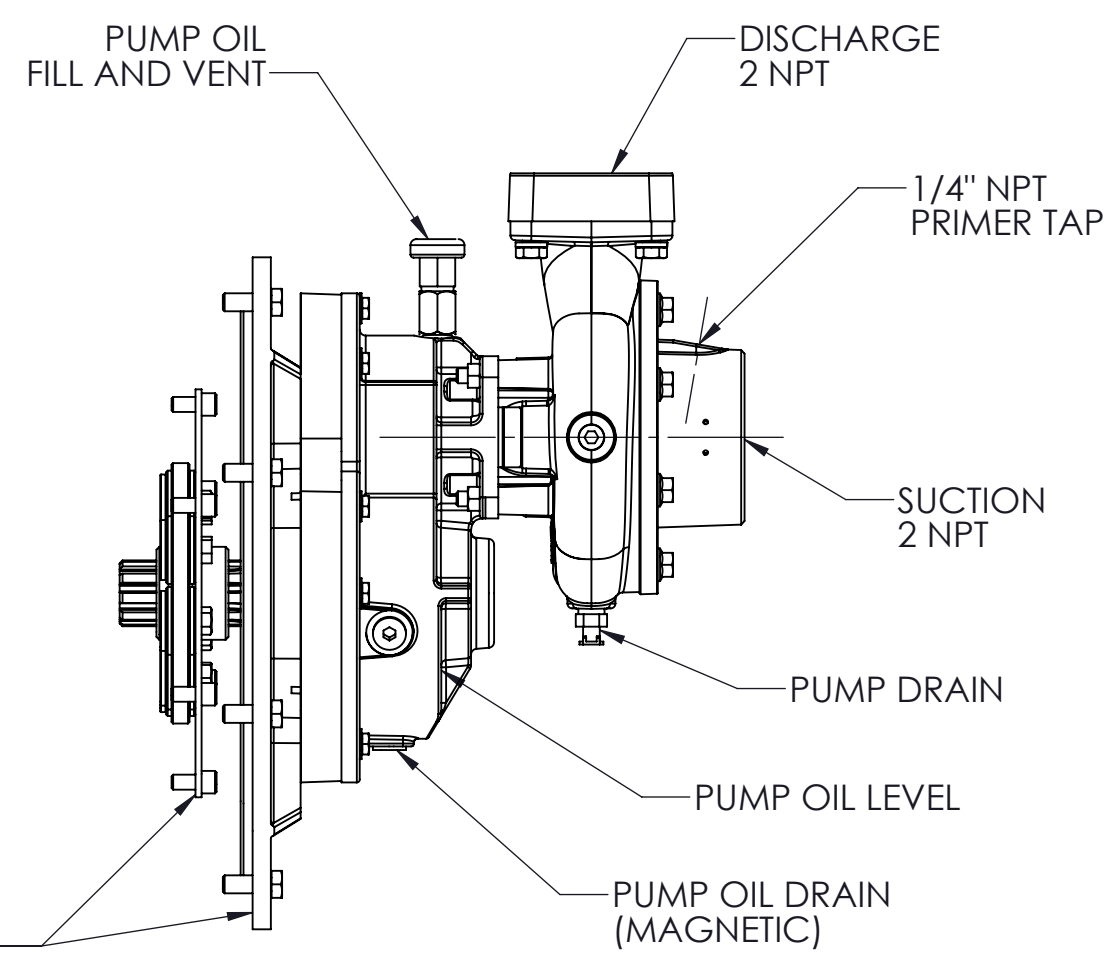
4

3

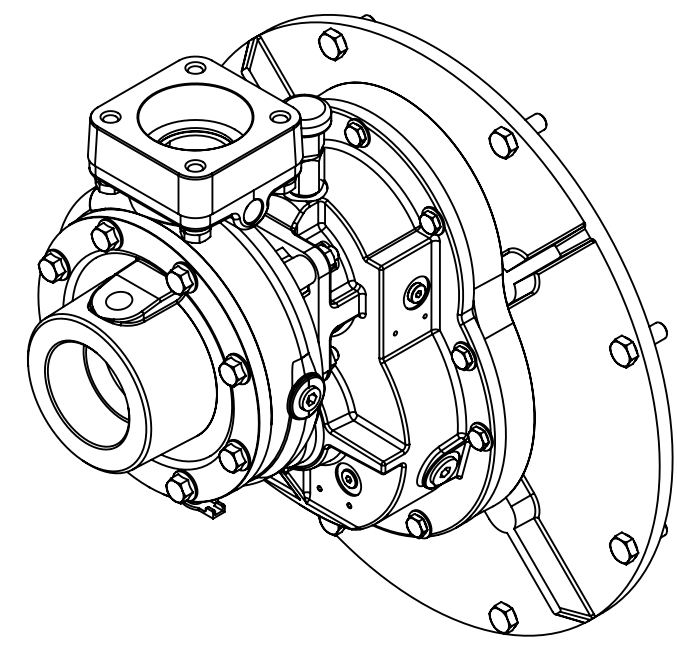
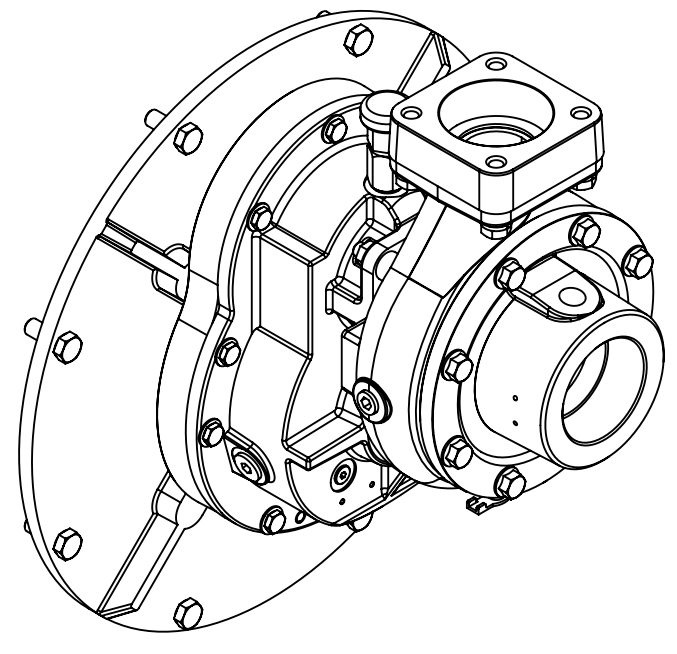
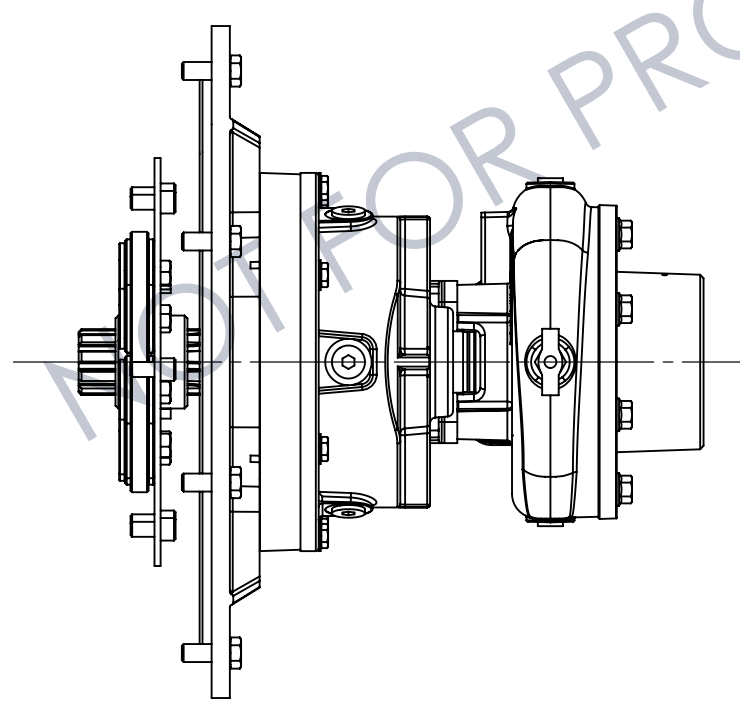
2

1

REVISIONS				
ZONE	REV.	DESCRIPTION	DATE	CHG NO. APPROVED



FLYWHEEL AND HOUSING SIZE WILL VARY DEPENDING ON ENGINE



REMOVE SHARP EDGES		INCH [MILLIMETER]		THIRD ANGLE PROJECTION		MODEL DAD2312		SHEET 1/1	
MATERIAL DESCRIPTION		MASS		MATERIAL NO.		PATTERN NO.		TOLERANCE EXCEPT AS NOTED .00 ±.03 .000 ±.010 ANGLES ±1	
ALUMINUM		48.37 LBS		-		-		DRWN GDY	
THIS DESIGN IS THE PROPERTY OF WS. DARLEY CO. - UNAUTHORIZED REPRODUCTION IS PROHIBITED		ALL DIMENSIONS IN INCHES UNLESS NOTED		DO NOT SCALE PRINT		CKHD PWS		DATE: 7/17/17	
						TRCD		SCALE: 1:4	
								DAD2312	

Darley
 ITASCA, IL
 CHIPPEWA FALLS, WI
 1.5 SAGE PUMP ONLY
 SAE #5 ENGINE ADAPTER

8

7

6

5

4

3

2

1