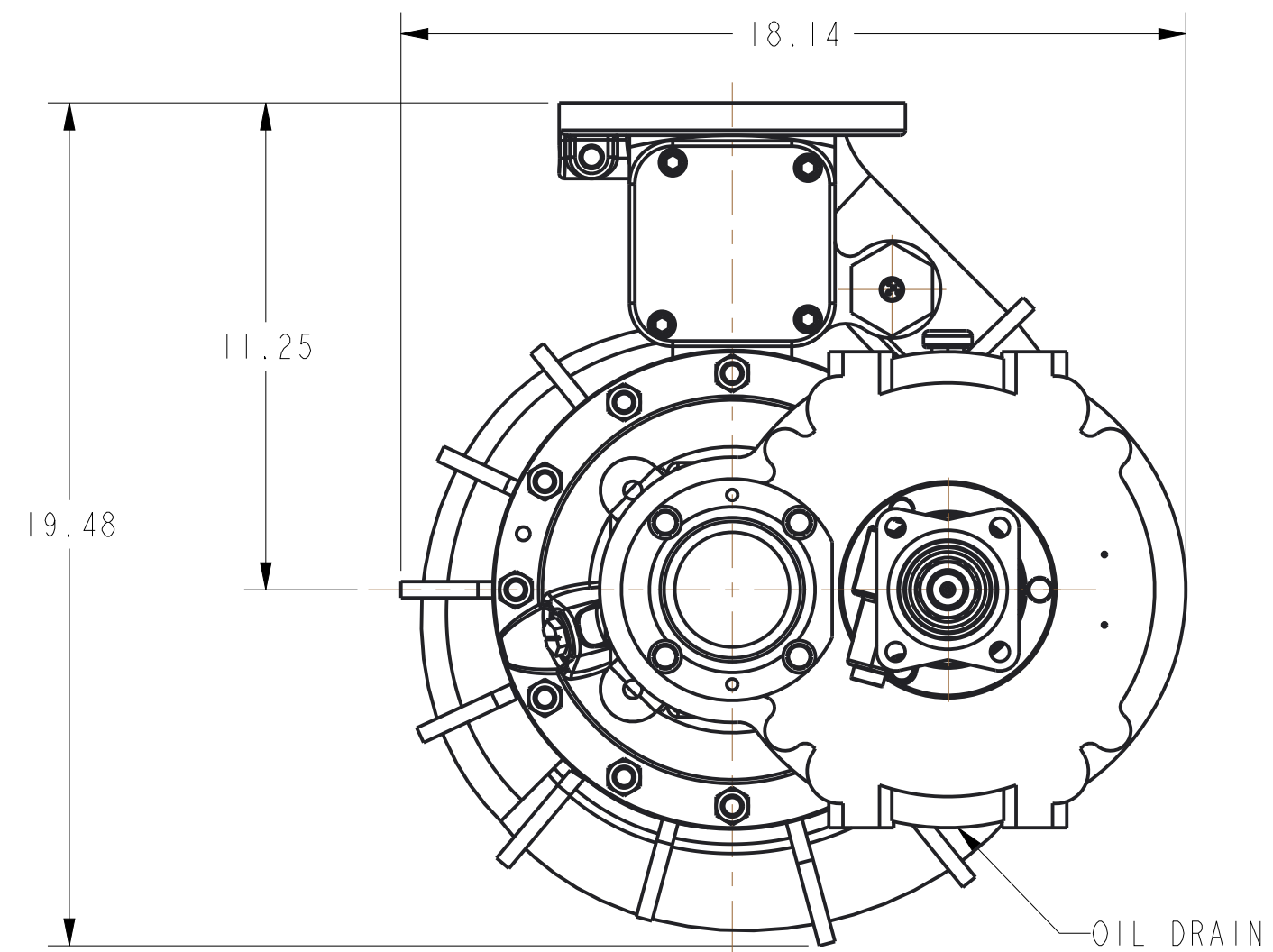
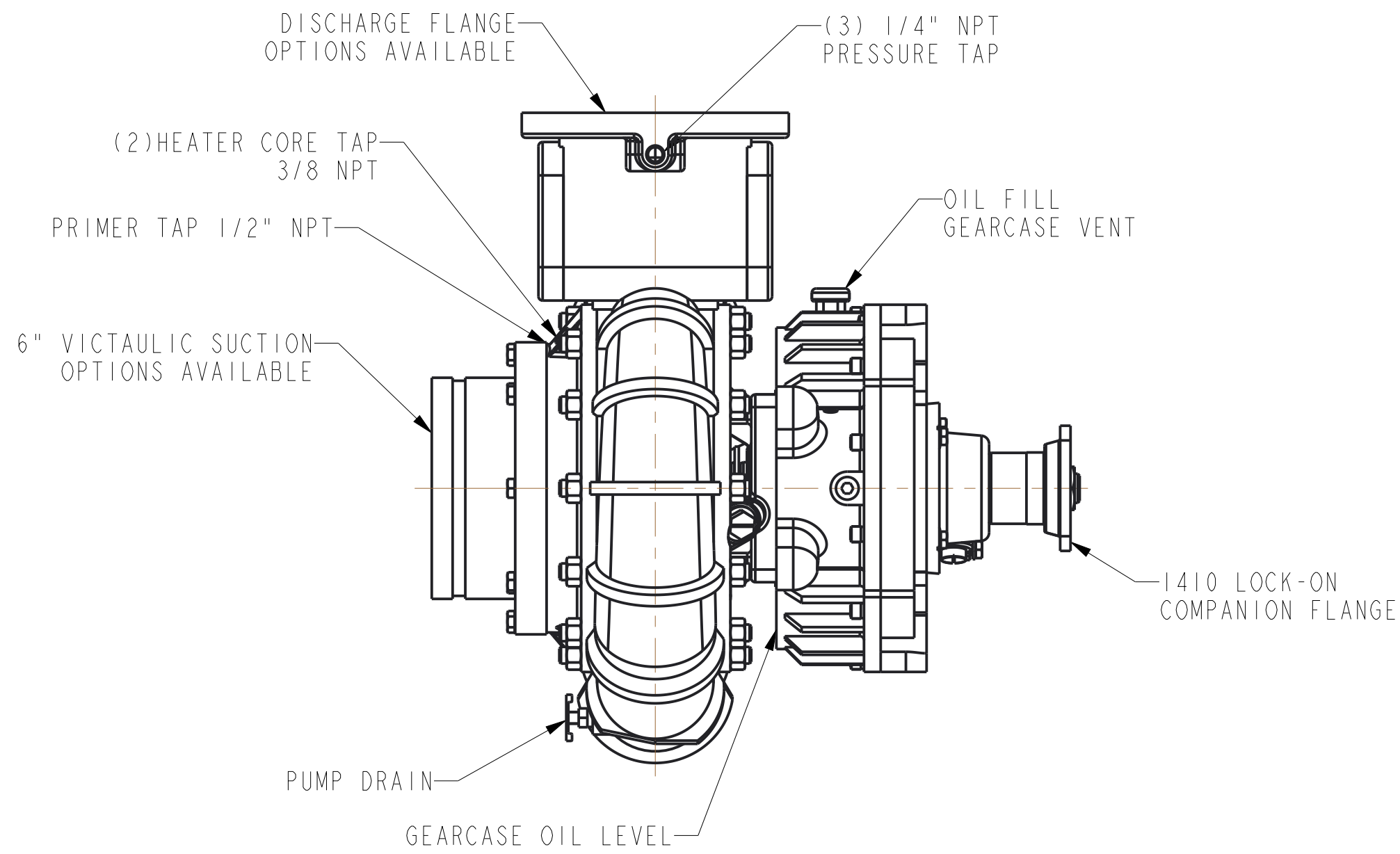
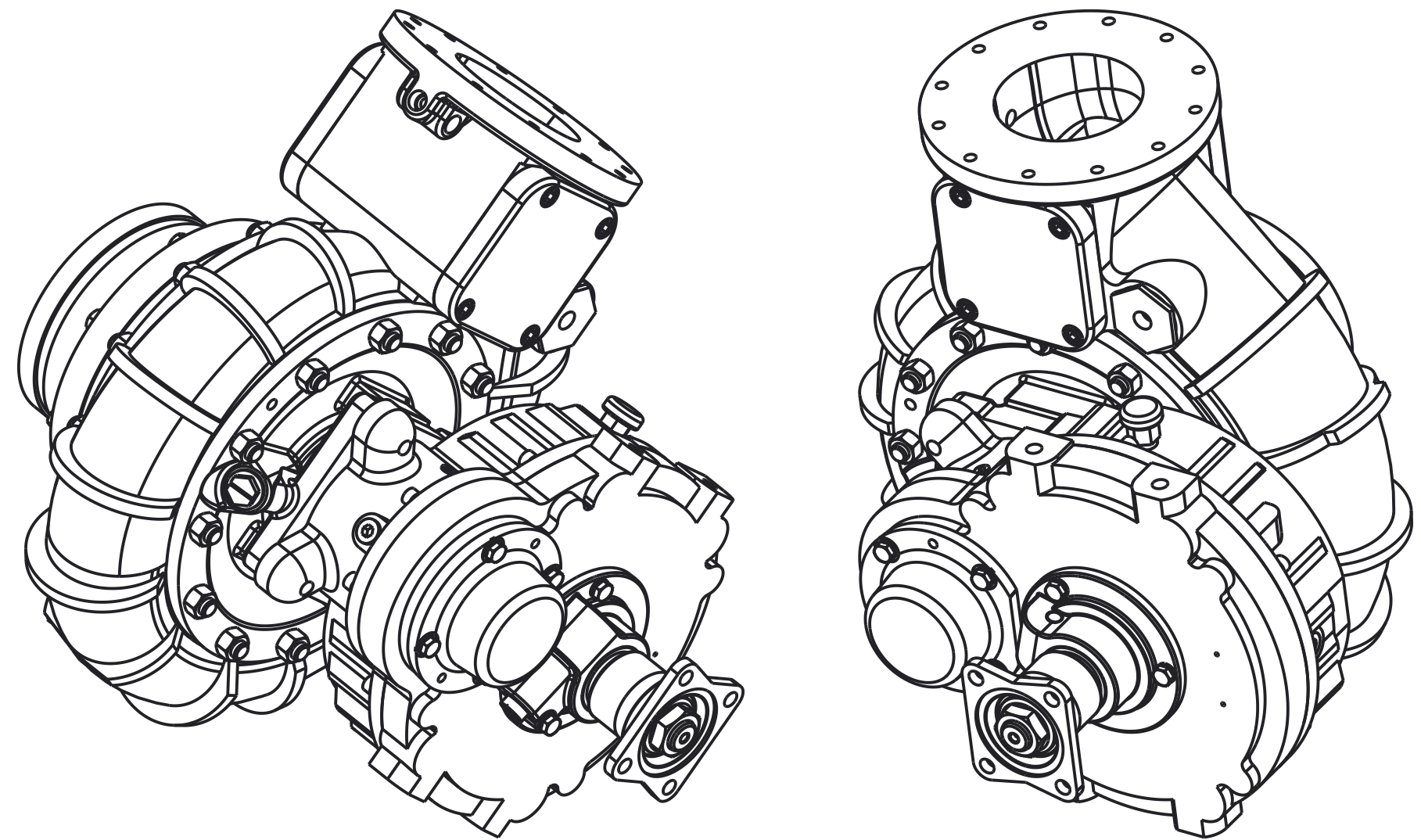
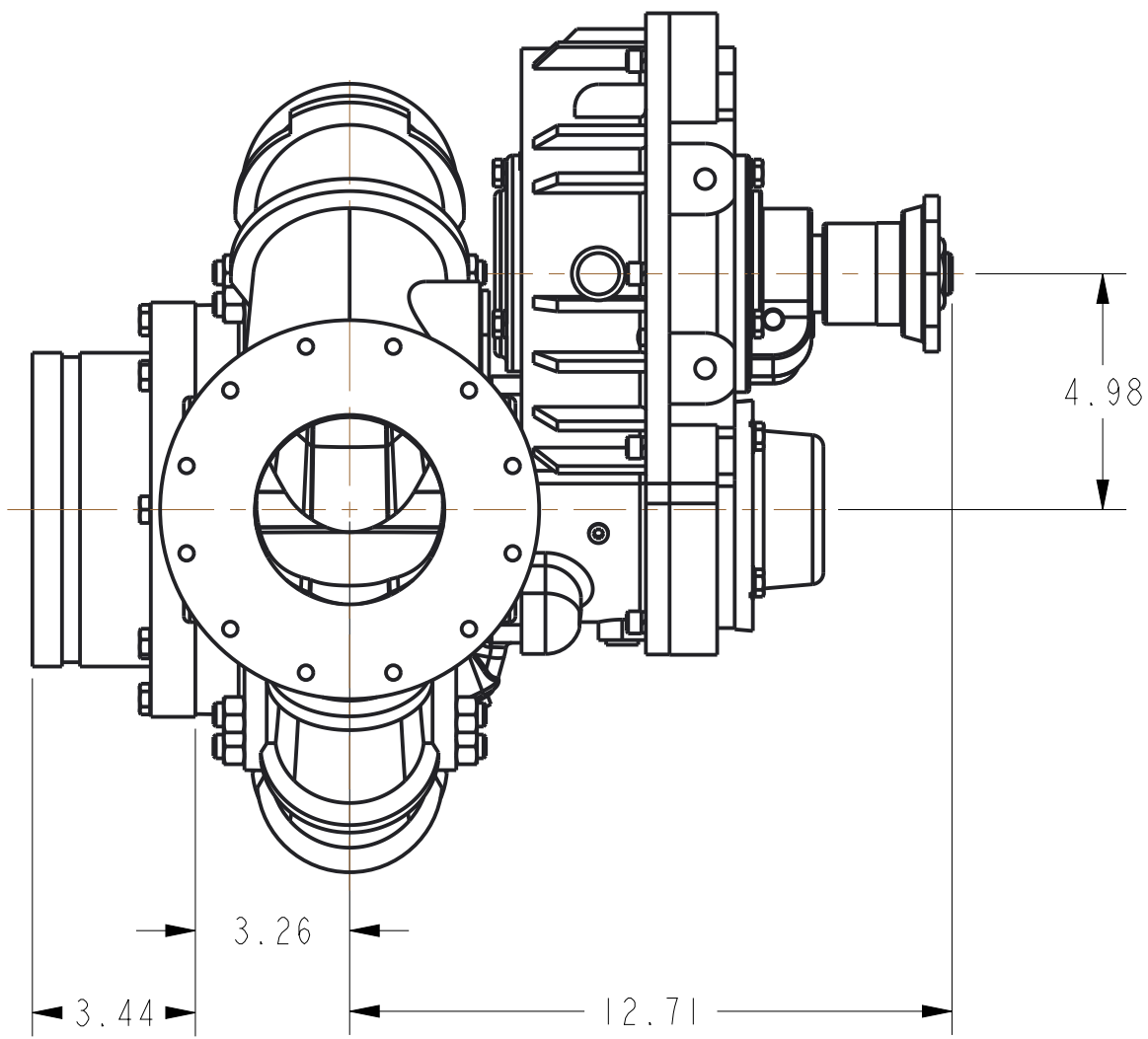


REVISIONS				
LTR	DESCRIPTION	DATE	CHG NO.	APPR'D



MODEL NAME	MDL CREATED	SHEET
DLD0804	1/1	C

REMOVE SHARP EDGES

INCH
[MILLIMETER]



OLD PART NO.
PATTERN NO.

TOLERANCE
EXCEPT
AS NOTED
.00 ± .03
.000 ± .010
ANGLES ± 1°

W.S. Darley & Co.
ITASCA, IL - CHIPPEWA FALLS, WI

MATERIAL DESCRIPTION:

DO NOT SCALE PRINT

DR'N SMS
CHKD
TRCD

DWG - LSP, 2GR, HOR, REAR
DIMENSIONAL

THIS DESIGN IS THE PROPERTY OF
W.S. DARLEY AND CO. - UNAUTHORIZED
REPRODUCTION IS PROHIBITED

ALL DIMENSIONS IN
INCHES UNLESS NOTED

DATE 10-Jan-14
SCALE 1/4

DLD0804