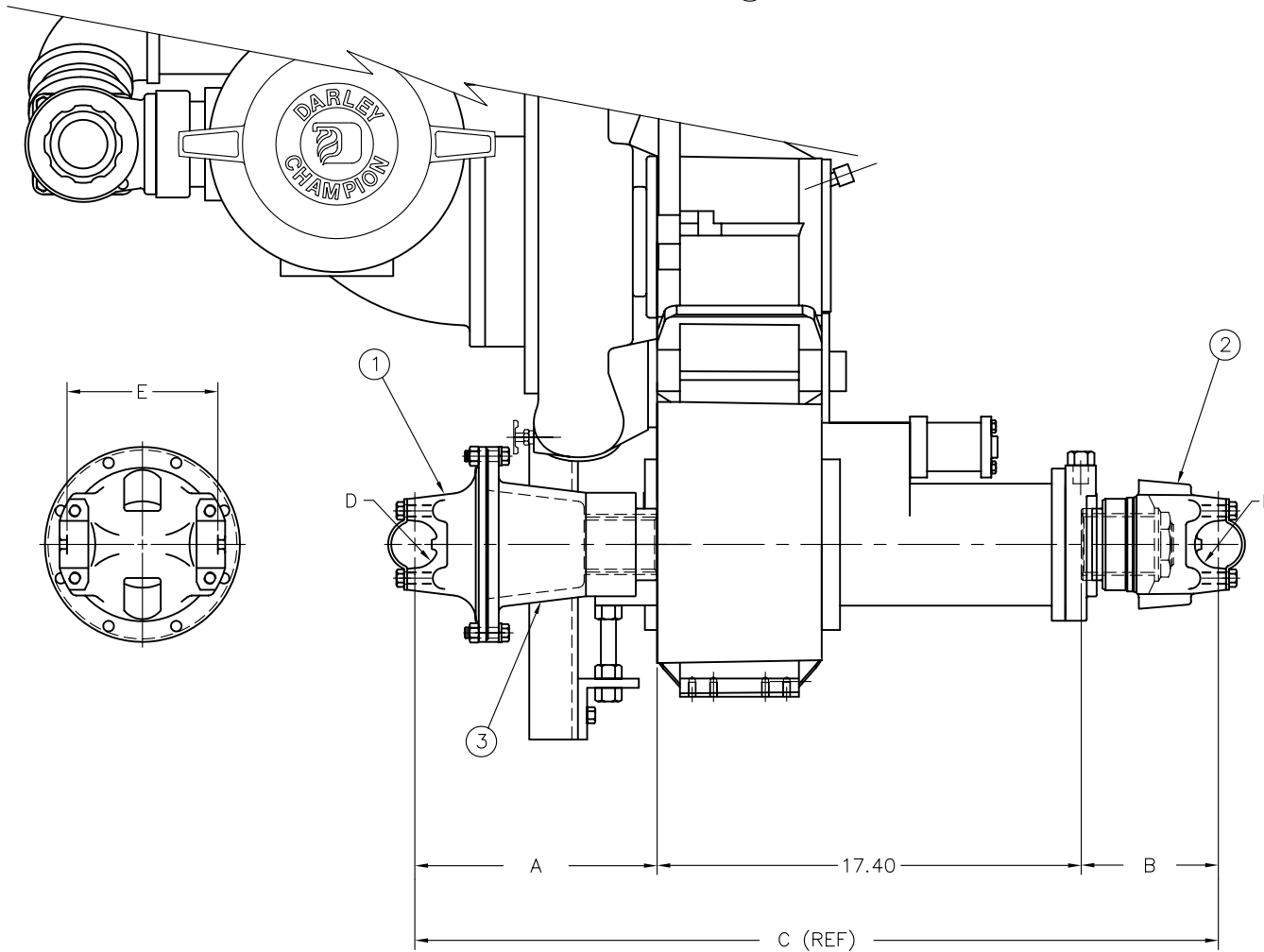


YOKE SERIES	HR FLANGE YOKE ①	HR END YOKE ②	A	B	C REF.	D BEARING DIA.	E DIST OVR BRG
1710	4819900 (6-2-739-1)	4815002 (6-4-6611-1)	9.95	5.63	32.97	1.94	6.19
1760	4820000 (6.3-2-19-1)	4815102 (6.3-4-651-1)	10.32	6.00	33.72	1.94	7.09
1810	4820100 (6.5-2-329-1)	4815003 (6.5-4-3551-1X)	10.32	5.88	33.60	1.94	7.64

③ 4816801 DARLEY COMPANION FLANGE (1710/1760/1810)



PART NO.	DATE	CHANGE
TOLERANCE EXCEPT AS NOTED		W.S. DARLEY & CO. MELROSE PARK, IL - CHIPPEWA FALLS, WI
FRAC DIM ±.01		
.00 ±.01		
.000 ±.005		
ANGLES ±1°		DWG - DRIVELINE DETAIL PS PUMP
DR'N CKE	DATE 17APR,2001	DPM0100
CHKD MCR	SCALE 1/4	
TRCD		

THIS DESIGN IS THE PROPERTY OF W.S. DARLEY AND CO. - UNAUTHORIZED REPRODUCTION IS PROHIBITED

ALL DIMENSIONS IN INCHES UNLESS NOTED

DO NOT SCALE PRINT