

NOTE:

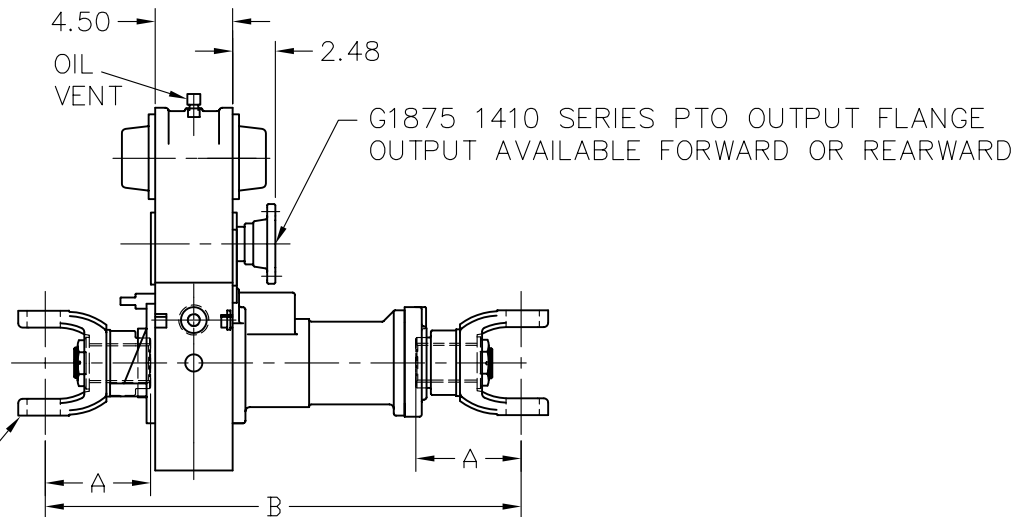
PTO OUTPUT OPPOSITE ENGINE ROTATION ONLY

AVAILABLE GEAR RATIOS: 0.93:1 1.00:1
1.20:1

PTO OUTPUT TORQUE UP TO 400 FT-LB
PTO OUTPUT HORSEPOWER UP TO 200 HP

MAXIMUM DRIVELINE THROUGH TORQUE 6,400 FT-LB

CONTACT W.S. DARLEY ENGINEERING DEPARTMENT
FOR APPLICATION ASSISTANCE



2.5" SHAFTS


YOKE SERIES	A	B
1550	5.75 [146]	26.92 [684]
1610	6.12 [155]	27.66 [703]
1710	5.63 [143]	26.68 [678]
1760	6.00 [152]	27.42 [696]
1810	5.88 [149]	27.18 [690]

APPROX NET WEIGHT: 225 LB

THIS DESIGN IS THE PROPERTY OF
W.S. DARLEY AND CO. - UNAUTHORIZED
REPRODUCTION IS PROHIBITED

ALL DIMENSIONS IN
INCHES UNLESS NOTED

DO NOT SCALE PRINT

PART NO.		DATE	CHANGE
		W.S. DARLEY & CO. MELROSE PARK, IL - CHIPPEWA FALLS, WI	
		KDM SPLIT SHAFT PTO OPP. ENG. ROTATION	
		DR'N DMD	DATE 01OCT00
CHKD MCR	SCALE 1/8		
TRCD			