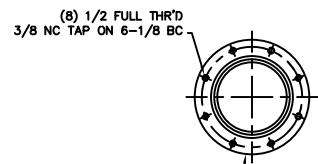
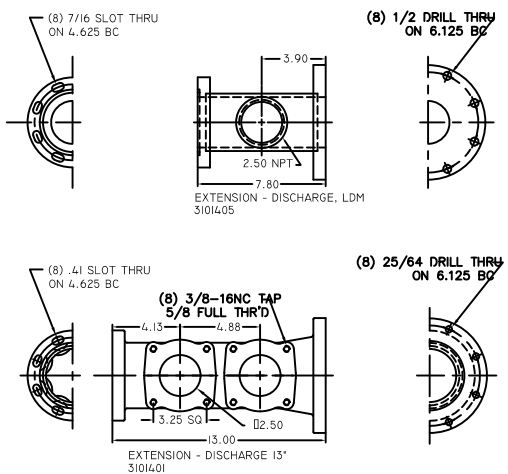
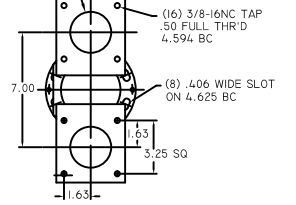
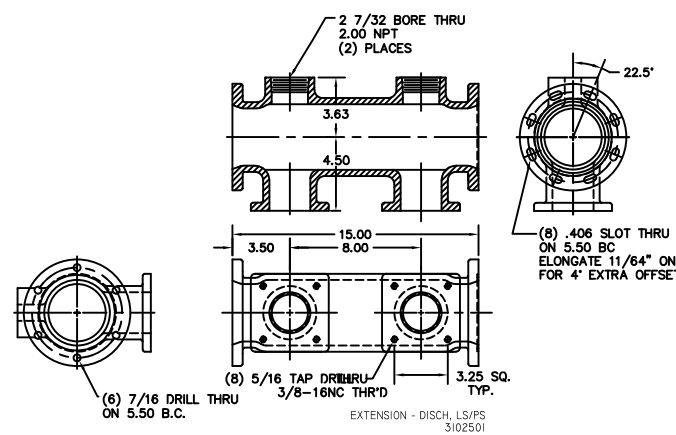
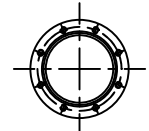
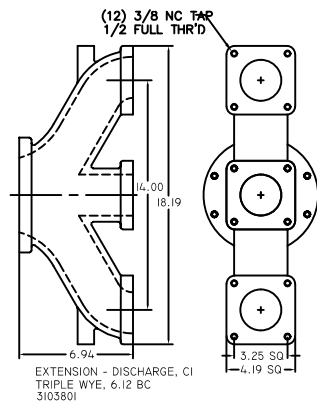


| REVISIONS | | | |
|-----------|-------------|------|-----------------|
| LTR | DESCRIPTION | DATE | CHG NO. / APP'D |



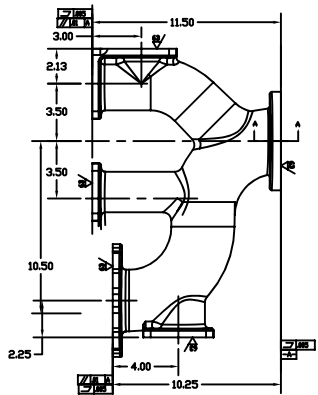
NOTE: DISCHARGE EXTENSION 3103800 AVAILABLE WITH (8) 1/2 FULL THR'D 3/8 NC TAP ON 5.125 BC TO BE USED ON DISCHARGE HEAD 2807501



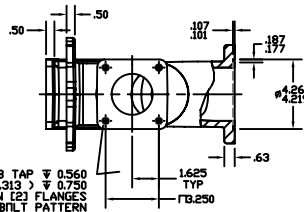
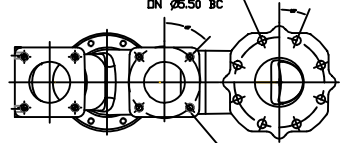
REMOVE SHARP EDGES

| | | | | | |
|--|--|--------------------|--|---|---------|
| MATERIAL DESCRIPTION | MATERIAL NO. | PATTERN NO. | TOLERANCE SHOWN AS NOTED UNLESS OTHERWISE SPECIFIED | W.S. DARLEY & CO. DESIGN MILWAUKEE PARK, W.I. - CHESTERVA FALLS, W.I. | |
| | | | | EXTENSIONS - DISCHARGE PS AND LS PUMPS | |
| THIS DESIGN IS THE PROPERTY OF W.S. DARLEY AND CO. - UNAUTHORIZED REPRODUCTION IS PROHIBITED | ALL DIMENSIONS IN INCHES UNLESS NOTED | DO NOT SCALE PRINT | DATE 10MAR2001 | SCALE 1/4" | DGD0204 |

EXT-WYE W/LDH OUTLET, 5.12 B.C.
3109112



[8] Ø.53 DRILL THRU
EQUALLY SPACED
ON Ø6.50 BC



7/16-14 UNC - 2B TAP \pm 0.560
U DRILL (0.368) \pm 0.690
Ø4.375 BC-[4] HOLES ON [2] FLANGES
HALE/WATERDUS BOLT PATTERN

3/8-16 UNC - 2B TAP \pm 0.560
5/16 DRILL (0.313) \pm 0.750
[4] HOLES ON [2] FLANGES
DARLEY 4-BRLT PATTERN

| REVISIONS | | | | |
|-----------|-------------|------|---------|-------|
| LTR | DESCRIPTION | DATE | CHG NO. | APPVD |
| | | | | |

REMOVE SHARP EDGES

INCH
[MILLIMETER]



TOLERANCE
GROUP
AS NOTED

W.S. DARLEY & CO.
MILWAUKEE, WIS. - CHESTER, PA.

| | | | |
|--|--------------|--|----------------|
| MATERIAL DESCRIPTION | MATERIAL NO. | PATTERN NO. | DATE 10MAR2001 |
| | | | |
| THIS DESIGN IS THE PROPERTY OF W.S. DARLEY AND CO. - UNAUTHORIZED REPRODUCTION IS PROHIBITED | | ALL DIMENSIONS IN INCHES UNLESS NOTED | SCALE 1/4" |
| DO NOT SCALE PRINT | | DATE 10MAR2001 | DGD0204 |