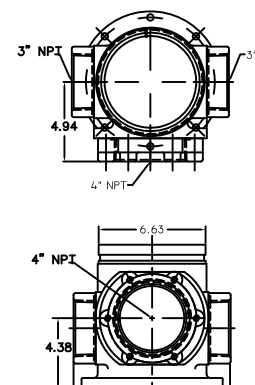
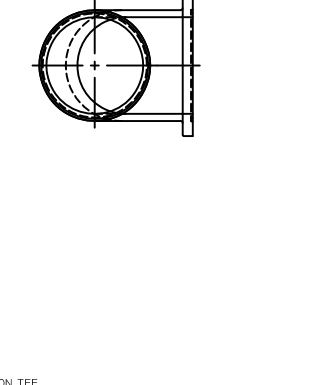
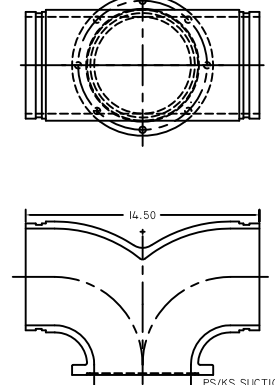
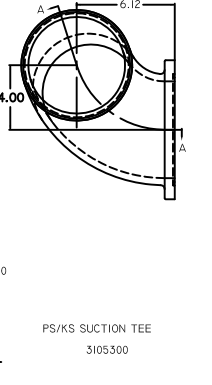
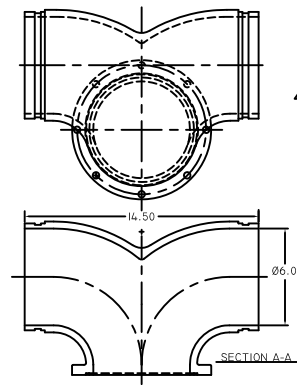
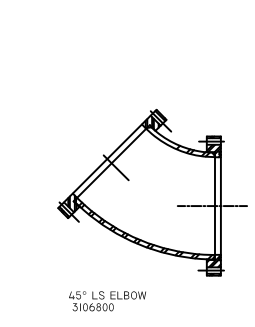
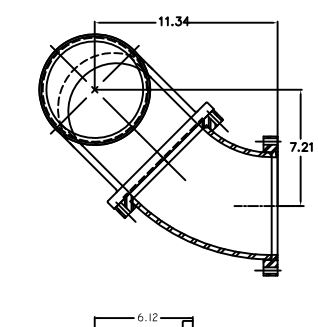
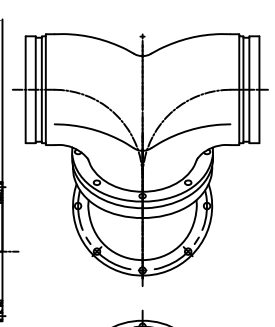
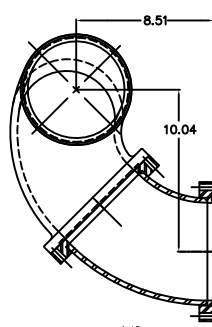
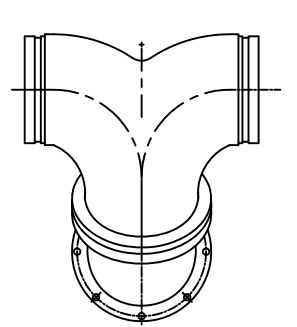


ADAPTER - 6.0 NPTF X 5.0 NHM
1603501



NIPPLE - SUCTION, 6\", VICTAULIC
2103402

THIS DESIGN IS THE PROPERTY OF
W.S. DARLEY & CO. - UNAUTHORIZED
REPRODUCTION IS PROHIBITED

ALL DIMENSIONS IN
INCHES UNLESS NOTED

DO NOT SCALE PRINT

TOLERANCE
SHOULDER DIMS. ± .005
MANIFOLDS, TEES, ELBOWS
PS AND LS PUMPS

DATE 21 AUG 00
SCALE 1/4

DGD0202