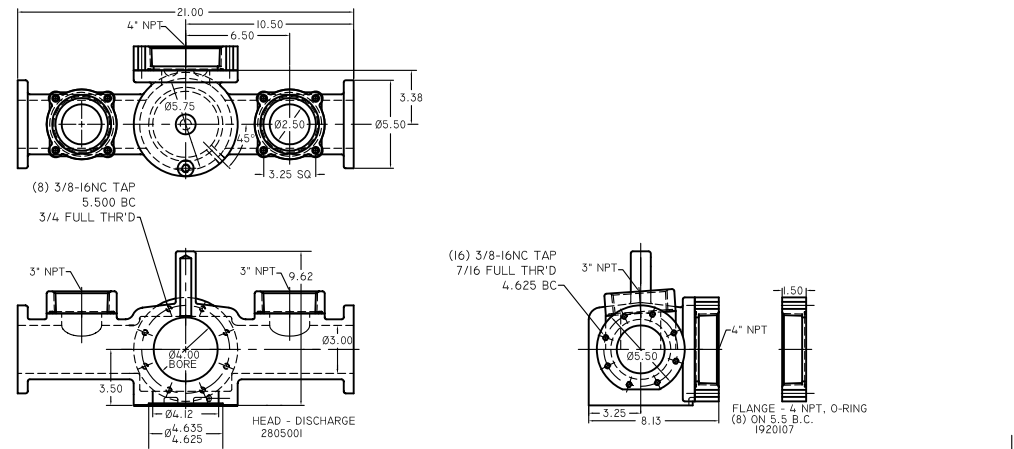
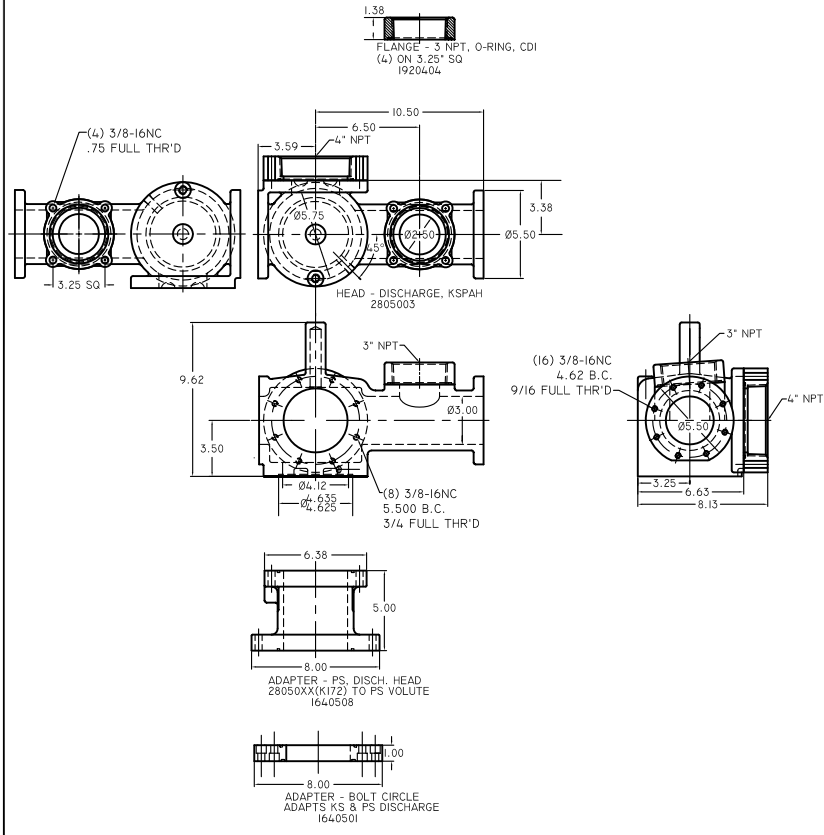
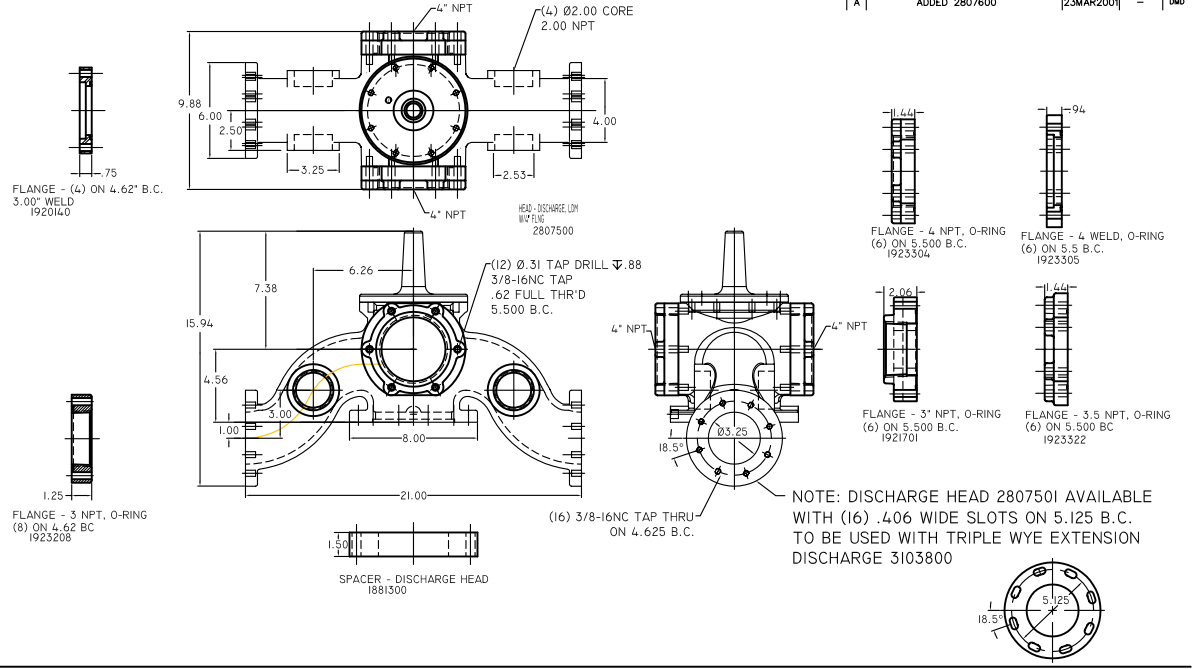
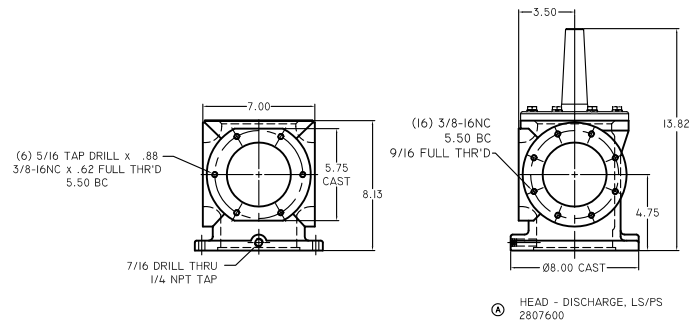


REVISIONS			
TR	DESCRIPTION	DATE	CHG NO./APPROV
A	ADDED 2807600	23MAR2001	— / DWD



	THIS DESIGN IS THE PROPERTY OF W.S. DARLEY & CO. - UNAUTHORIZED REPRODUCTION IS PROHIBITED	DATE 21 AUG 00	<b>W.S. DARLEY &amp; CO.</b> MELROSE PARK, IL - CHIPPEWA FALLS, WI DISCHARGE HEADS/EXTENSIONS PS AND LS PUMPS
	DO NOT SCALE PRINT	SCALE 1/4	