

W.S. Darley & Co.

TRUSTED WORLDWIDE SINCE 1908



Pump Plant & Engineering

1051 Palmer Street
Chippewa Falls, WI 54729
Phone 800-634-7812
Fax 715-726-2656

Pump Sales & Corporate

325 Spring Lake Dr.
Itasca, IL 60143-2072
Phone (708) 345-8050
Fax (708) 345-8993

Date: _____

Bill To: _____

P.O. No.: _____

Customer No.: _____

Order Completed By: _____

Desired Delivery Date: _____

Ship To: _____

End Customer: _____

Customer Contact:

Tel No.: _____

Fax No.: _____

Email: _____

PUMP ORDER FORM

LDMP PUMP

Please review the order form before starting. If any challenges arise, please call our Customer Service Department at (800) 634-7812 for assistance. We will be glad to help. Please fill in the information completely.

Rated capacity: (choose either GPM or LPM)

GPM: 1000 1250 1500

LPM: 4000 5000 6000

*If special testing is required, please indicate your need.

Imperial Gallons (List Capacity) _____

Liters per Minute (List Capacity) _____

Other (Specify) _____

CHASSIS INFORMATION

Chassis make: _____ Transmission Make: _____

Model: _____ Model: _____

Engine: _____ Color: _____

HP: _____ Altitude: _____ FT.

@ _____ RPM

Electrical system: 12V 24V

PTO INFORMATION

PTO Model: _____ PTO Location: (check one)

PTO % of Engine Speed: _____ Driver's Side Passenger's Side

Intermittent Torque Rating: _____ PTO Rotation: (check one):

_____ FT. / LBS. Engine Rotation

Note: 8 Bolt PTO or Larger required Opposite engine rotation

PUMP RATING

NFPA 1901 Fire Pump

Other: _____

(Options, Fill in choices)

- Primary water type:** Salt water Fresh water
- Pump material:** Cast Iron Bronze (Recommended for salt water)
- Pump position:** Rear Front
(3 Gear only)
- Seal type:** Packing Mechanical Seal
- Electric Primer:** 12V 24V None
- Primer type:** Fluid Fluid-less
- Mounting Kit:** Standard

Behind-the-Panel Butterfly Valve:

- Hand wheel Operated **OR** Electric Actuated (12V only)
- Manual Vented **OR** Automatically Vented
- Note:** (rural fire depts. tend to stay away from hand wheel operated, automatically vented)

Inline Butterfly Valve:

- Hand wheel Operated **OR** Electric Actuated (12V only)
- Manual Vented **OR** Automatically Vented

Butterfly Valve Size:

- 4" 5" 6"

Butterfly Valve Piping Size:

- NPT Weld

Discharge Valves: (shipped loose) (mounted on pump)
 2-1/2" NH 30° Down Nipple

Suction Valves: (shipped loose)
 2-1/2" NH Female 2-1/2" NH Female "Full Flow"

(Select option if you would like to add it to your pump)

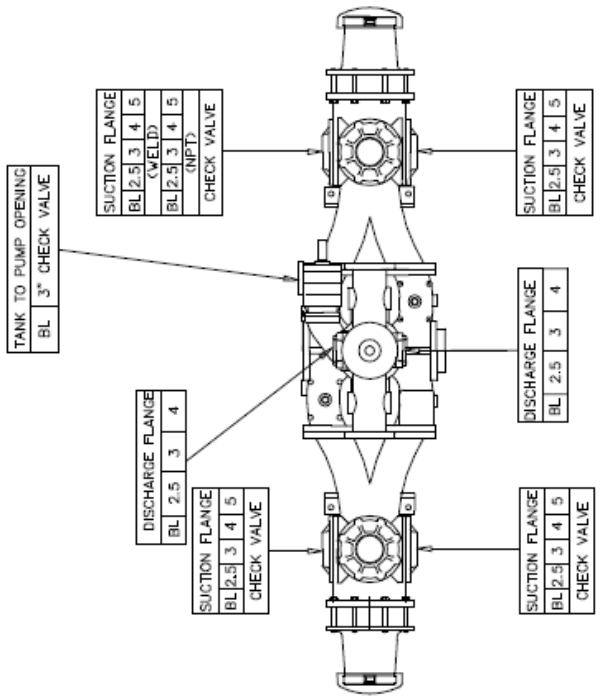
- Inlet Relief, Butterfly Valve**
- 3" Tank to Pump Check Valve** (Check at left and indicate requirements at bottom)
- 3" 4° Tank to Pump Check Valve** (Check at left and indicate requirements at bottom)
- Special threads other than NH. Specify type: _____**
- 2-1/2" Inline Valve**
- 3/4" Valve Drains** (available on suction or discharge valves)
- Remote Control for Curb Side Valves**
- Top Console Bellcrank Valve Control**
- Supply 4° Flanges where required** (to compensate for pump mounted at 4°)
- Pressure Relief Valve with Remote Control and Pilot Light** (Shipped loose)
- Suction Relief Valve with Remote Control** (Shipped loose)
- Hand Speed Counter and Cable**
- Electric Tachometer, Speed Counter and Cable**

- Master Drain Valve (8 openings)**
- Isolated Ports Multiple Drain (6 openings)**
- Pump Overheat Protection System**
- Air Power Shift**
- Remote Packing Adjustment Cables**
- Auto Governor**
- Manual Override**
- Manual Shift Indicator Switch**

LDMP PUMP ORDER FORM

CHECK BOX FOR APPROPRIATE CHOICE OF EACH:

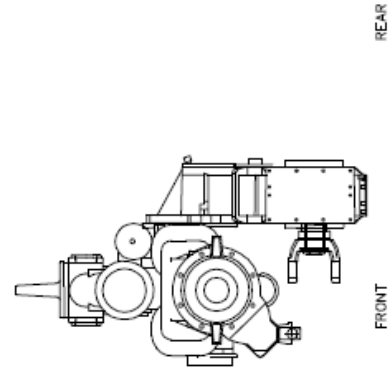
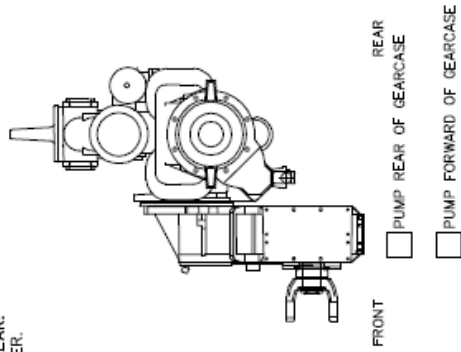
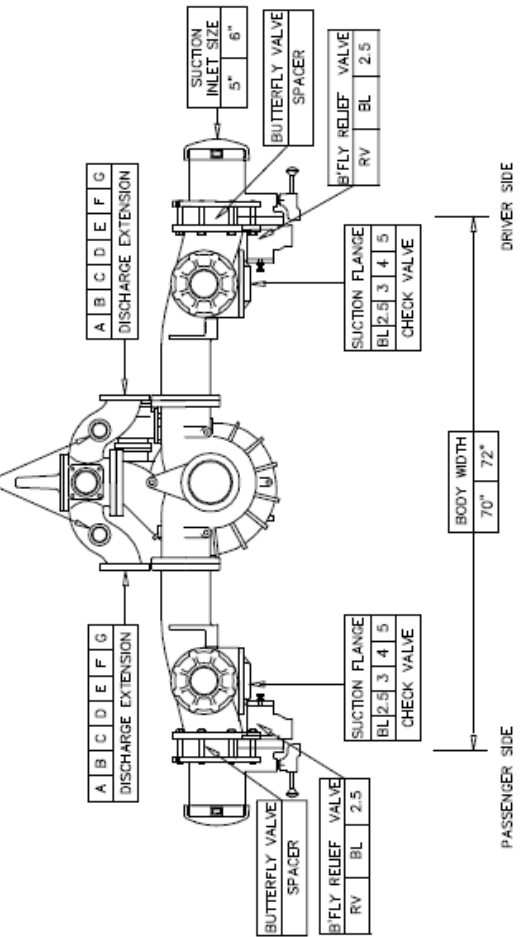
1. SUCTION INLET SIZE.
2. SUCTION FLANGE SIZE.
3. DISCHARGE EXTENSION LETTER.
4. INDICATE FLANGE SIZE (IN BOX) OF DISCHARGE EXTENSION FLANGES.
5. DISCHARGE FLANGE SIZE ON DISCHARGE HEAD.
6. BODY WIDTH.
7. PUMP FORWARD OR PUMP REAR.
8. BUTTERFLY VALVE OR SPACER.



PASS. SIDE FRONT

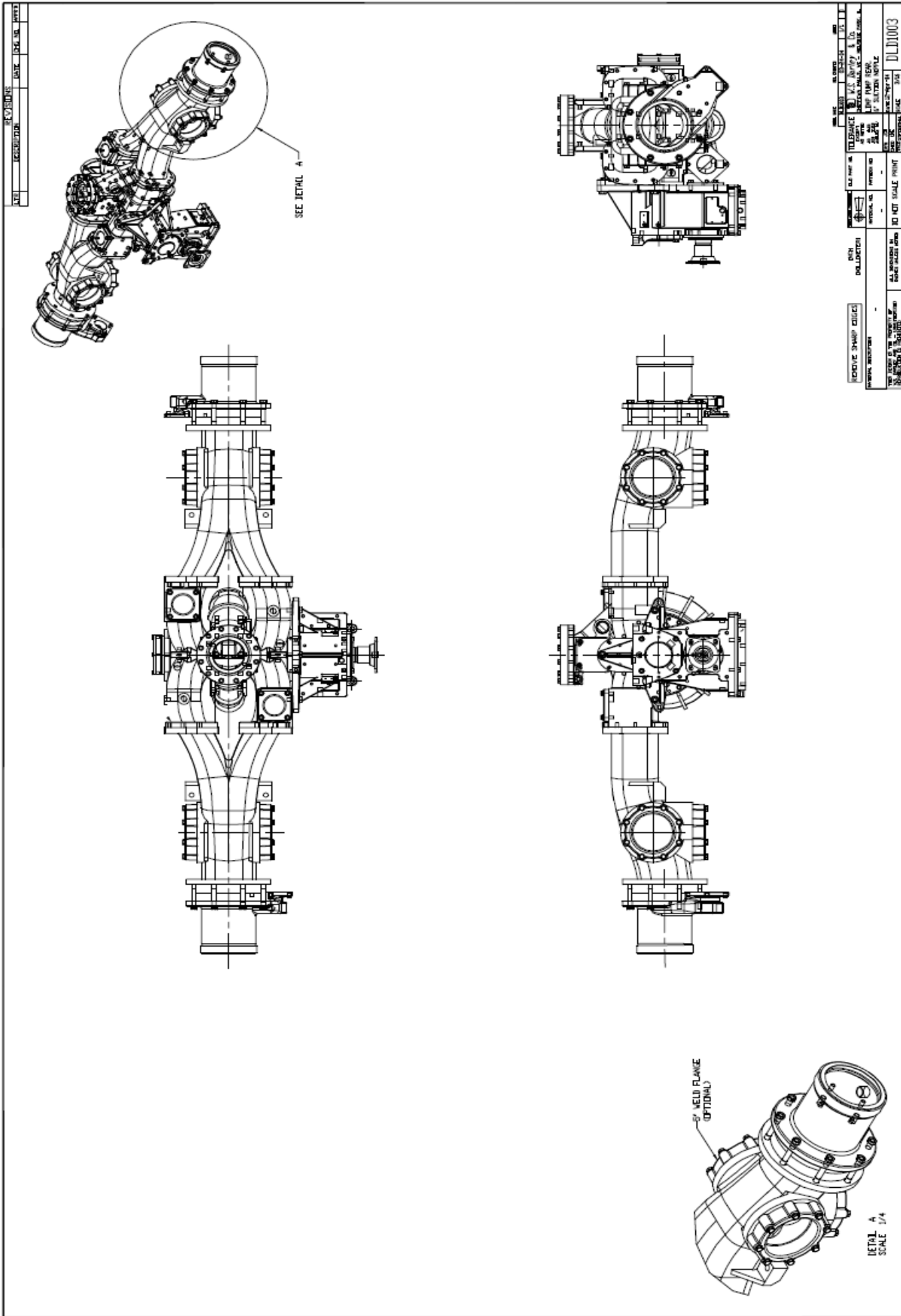
DR. SIDE FRONT

(4) 2" NPT DISCHARGE SUPPLIED (2 EACH SIDE)



SHEET 3 OF 4

1202002
13-JUN-2005
REV 6
REV DATE: 08/2010 JJP



Prepared By: GDY
 Approved By: LJM, SJL
 Rev Date: 1/14/2016

Crating options/Instructions

- Standard Box
- Wood Crate, Bark Free
- Heat Treated Skid (Export)
- Oversized Domestic Skid and Box (38x44)
- Oversized Export Skid and Box (38x44)
- Oversized Heat Treated Skid (Export 38x44)
- Special Crating Instructions: _____

