

W.S. Darley & Co.

TRUSTED WORLDWIDE SINCE 1908



Pump Plant & Engineering

1051 Palmer Street
Chippewa Falls, WI 54729
Phone 800-634-7812
Fax 715-726-2656

Pump Sales & Corporate

325 Spring Lake Dr.
Itasca, IL 60143-2072
Phone (708) 345-8050
Fax (708) 345-8993

Date: _____

Bill To: _____

P.O. No.: _____

Customer No.: _____

Order Completed By: _____

Desired Delivery Date: _____

Ship To: _____

End Customer: _____

Customer Contact:

Tel No.: _____

Fax No.: _____

Email: _____

PUMP ORDER FORM

LSP PUMP

Please review the order form before starting. If any challenges arise, please call our Customer Service Department at (800) 634-7812 for assistance. We will be glad to help. Please fill in the information completely.

Rated capacity:

GPM: 500 750 1000 1250

Or

LPM: 2000 3000 4000

*If special testing is required, please indicate your need.

Imperial Gallons (List Capacity) _____

Liters per Minute (List Capacity) _____

Other (Specify) _____

CHASSIS INFORMATION

Chassis make: _____ Transmission Make: _____

Model: _____ Model: _____

Engine: _____ Color: _____

HP: _____ Altitude: _____

FT.

@ _____ RPM

Electrical system: 12V 24V

PTO INFORMATION

PTO Model: _____ PTO Location: (check one)

PTO % of Engine Speed: _____ Driver's Side Passenger's Side

Intermittent Torque Rating: _____ PTO Rotation: (check one):

_____ FT. / LBS. Engine Rotation

Note: 8 Bolt PTO or Larger required Opposite engine rotation

PUMP RATING

NFPA 1901 Fire Pump

Other: _____

(Options, Fill in choices)

- Primary water type:** Salt water Fresh water
- Pump material:** Cast Iron Bronze (Recommended for salt water)
- Pump position:** Rear Front
(3 Gear only)
- Seal type:** Packing Mechanical Seal
- Electric Primer:** 12V 24V None
- Primer type:** Fluid Fluid-less
- Mounting Kit:** Standard 18 Degree
- Suction Tee:** 6" Sweep 6" Victaulic

Drive Line Component:

- 1410 Yoke
 1410 Companion Flange
 1410 Lock-On Yoke & Slip Tube

Inline Butterfly Valve:

- Hand wheel Operated **OR** Electric Actuated
- Manual Vented **OR** Automatically Vented

Inline Valve Size:

- 4" 5" 6"

Inline Valve Piping Size:

- NPT Weld NST

- Suction Caps:** 5" 6"

Suction Adapter:

- 6" Suction Tee
 6" Suction Flange: NPT Weld NST

Discharge Valves: (shipped loose)

- 2-1/2" NST Straight Nipple 2-1/2" NST 30° Down Nipple

Suction Valves: (shipped loose)

- 2-1/2" NST Female 2-1/2" NST Female "Full Flow"

- Inline Tank to Pump Check Valve:** 3" or 4"

- 3/4" Valve Drains** (available on suction or discharge valves)

- Pressure Relief Valve with Remote Control and Pilot Light** (Shipped loose)

- Suction Relief Valve with Remote Control** (Shipped loose)

PTO Pump "IN GEAR" Indicator Switch:

- Automatic Transmission Manual Transmission

- Tachometer Cable (cable only)**

- Hand Speed Counter and Cable**

- Electric Tachometer, Speed Counter and Cable**

- Master Drain Valve (8 openings)**

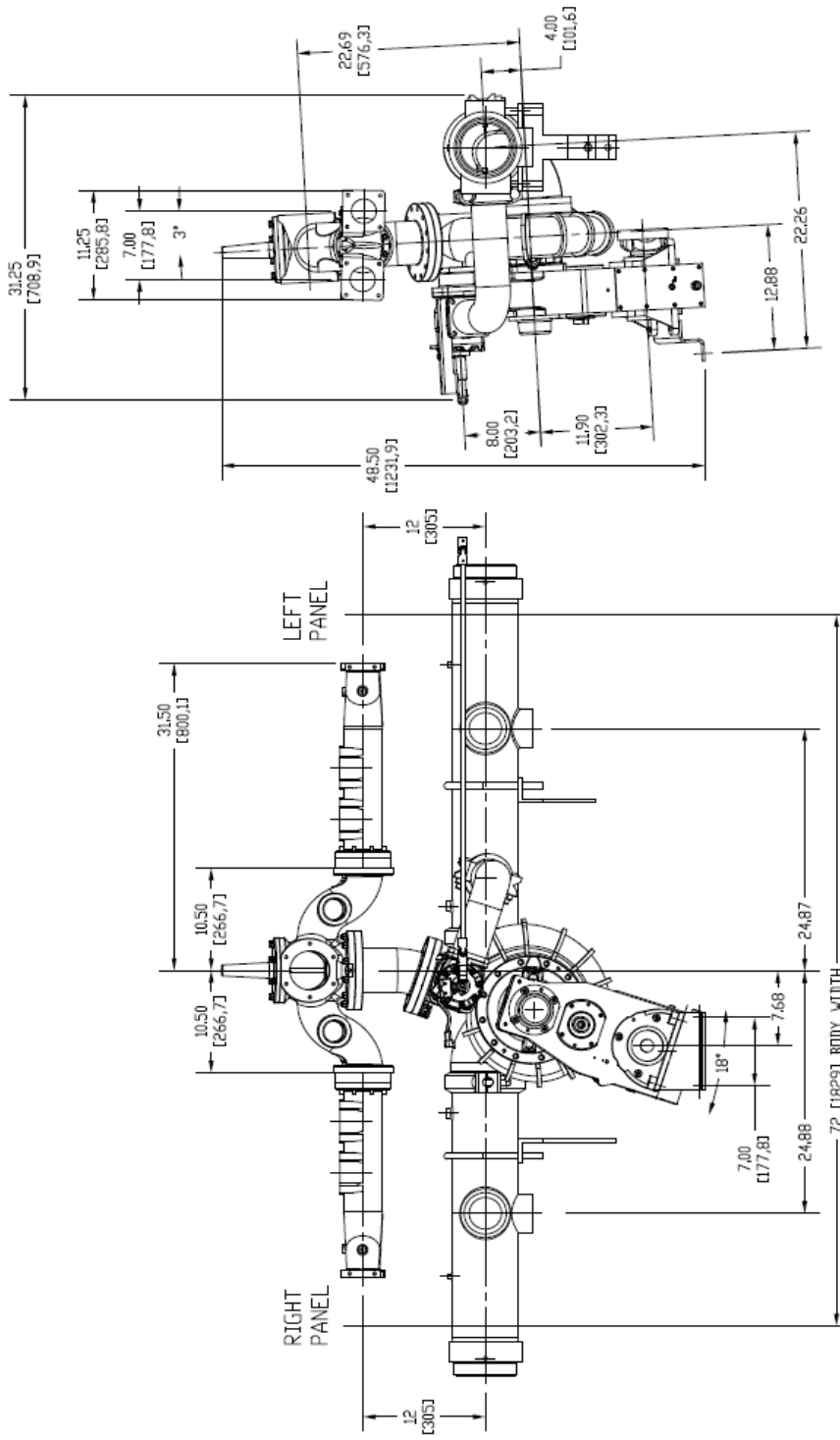
- Isolated Ports Multiple Drain (6 openings)**

- Pump Overheat Protection System**

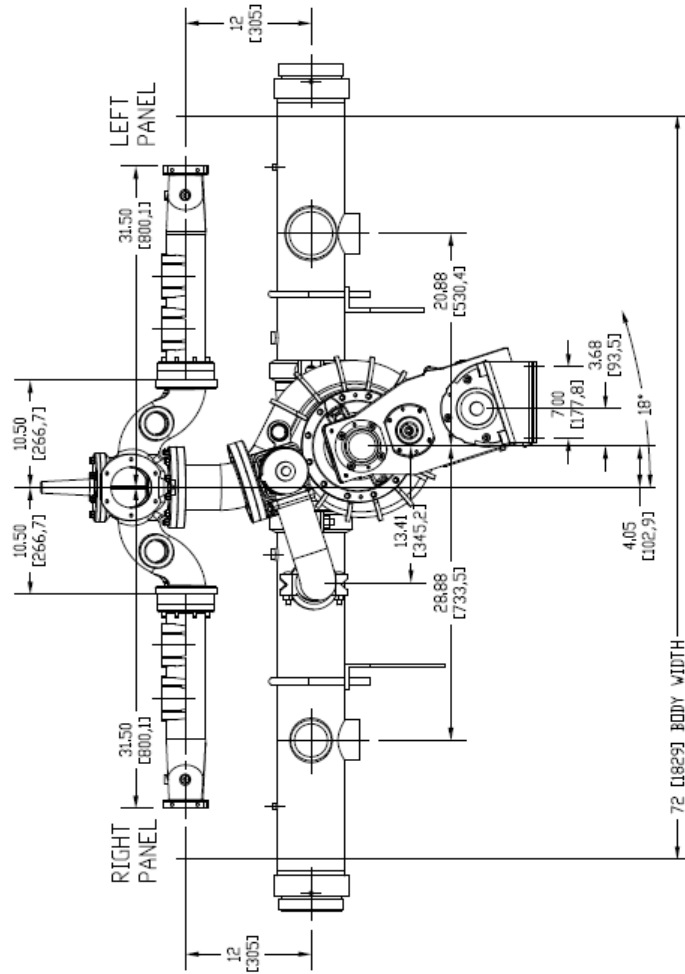
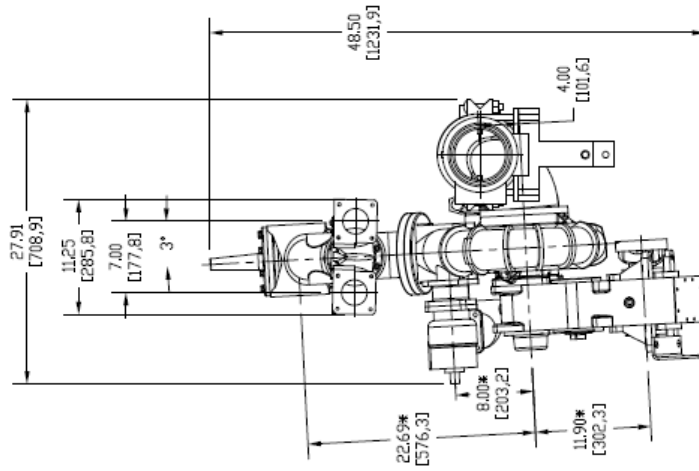
- Complete suction and discharge manifolding w/ valves**

- Anode** **Suction** **Discharge**

LSP DRIVER SIDE MOUNT
18° GEARCASE FRONT MOUNT PUMP



LSP PASSENGER SIDE MOUNT
18° GEARCASE FRONT MOUNT PUMP



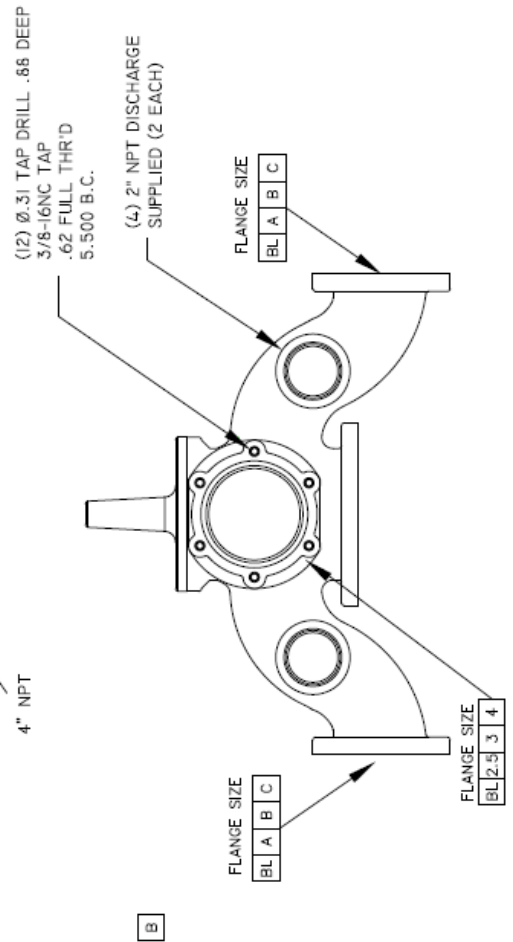
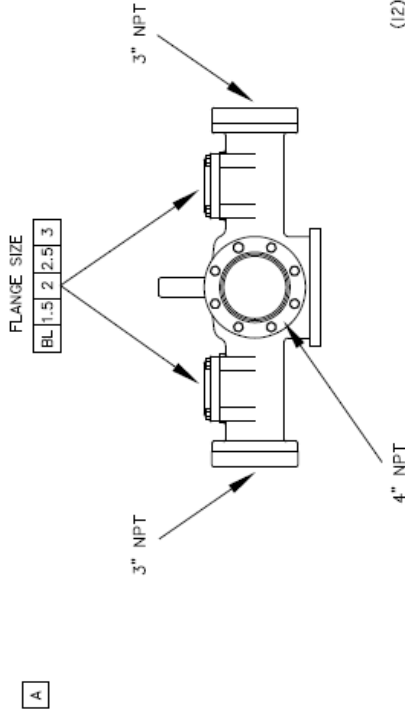
W.S. Darley & Co.

DISCHARGE HEAD OPTIONS

CHECK BOX FOR APPROPRIATE CHOICE OF EACH:

1. DISCHARGE HEAD LETTER.
2. DISCHARGE FLANGE SIZE.
3. DISCHARGE EXTENSION LETTER.

DISCHARGE HEADS

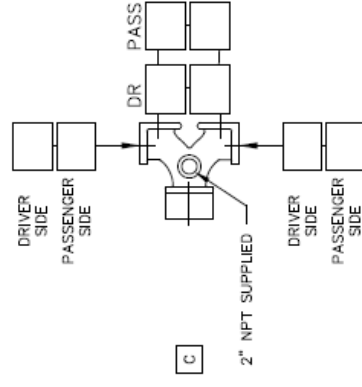
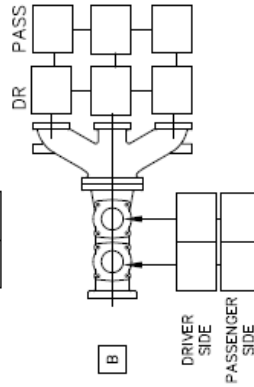
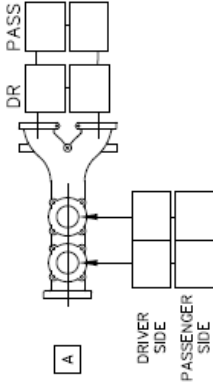


DISCHARGE EXTENSIONS

(DISCHARGE HEAD "A" ONLY)

INDICATE REQUIRED COMPANION FLANGE
SIZE IN BOX CORRESPONDING TO
DISCHARGE EXTENSION SELECTED.

AVAILABLE FLANGE SIZES: 1 1/2", 2", 2 1/2", 3".



1202017
REV. 5
09/26/08
REV DATE:09/26/08
REV BY: R/G

W.B. Darley & Co.

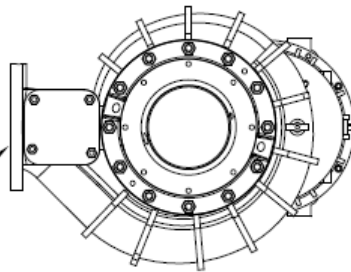
LSP PUMP ORDER FORM 2-GEAR TRANSMISSION

CHECK BOX FOR APPROPRIATE CHOICE OF EACH:

1. SUCTION FLANGE SIZE.
2. DISCHARGE FLANGE SIZE.
3. GEARCASE POSITION.

- FLANGE SIZE
- 4" NPT
 - 4" WELD
 - 5" NPT
 - 5" WELD

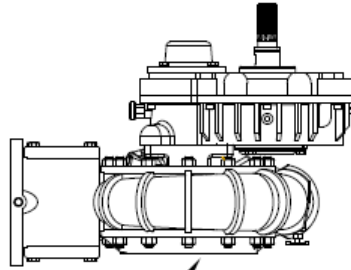
OPTIONAL:
DISCHARGE HEAD
(SEPARATE PAGE)



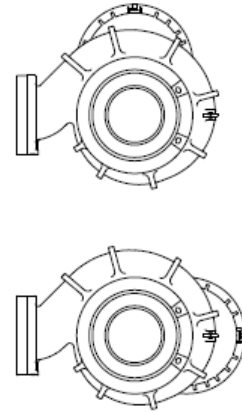
FLANGE SIZE

- 6" NPT
- 6" WELD
- 6" SUCTION TEE VICTAULIC

6" 45° SUCTION EXTENSION
(USE WITH 6" SUCTION TEE FOR
ADDITIONAL DRIVELINE DROP)



GEARCASE POSITIONS
AS VIEWED FACING SUCTION INLET
SELECT ONE



- STANDARD
- ROTATED 90°

OPTIONAL GEAR CASE ORIENTATION

1202017
REV. 5
JUL 2001
LN
REV DATE: 09/24/08
REV BY: RJG

Crating options/Instructions

- Standard Box
- Wood Crate, Bark Free
- Heat Treated Skid (Export)
- Oversized Domestic Skid and Box (38x44)
- Oversized Export Skid and Box (38x44)
- Oversized Heat Treated Skid (Export 38x44)
- Special Crating Instructions: _____

