

W.S. Darley & Co.

TRUSTED WORLDWIDE SINCE 1908



Pump Plant & Engineering

1051 Palmer Street
Chippewa Falls, WI 54729
Phone 800-634-7812
Fax 715-726-2656

Pump Sales & Corporate

325 Spring Lake Dr.
Itasca, IL 60143-2072
Phone (708) 345-8050
Fax (708) 345-8993

Date: _____

Bill To: _____

P.O. No.: _____

Customer No.: _____

Order Completed By: _____

Desired Delivery Date: _____

Ship To: _____

End Customer: _____

Customer Contact:

Tel No.: _____

Fax No.: _____

Email: _____

PUMP ORDER FORM

PSM PUMP

Please review the order form before starting. If any challenges arise, please call our Customer Service Department at (800) 634-7812 for assistance. We will be glad to help. Please fill in the information **completely**.

Rated capacity: (choose either GPM or LPM)

GPM: 1000 1250 1500 1750 (industrial boats only)

LPM: 4000 5000 6000

*If special testing is required, please indicate your need.

Imperial Gallons (List Capacity) _____

Liters per Minute (List Capacity) _____

Other (Specify) _____

CHASSIS INFORMATION

Chassis make: _____ Transmission Make: _____

Model: _____ Model: _____

Engine: _____ Color: _____

HP: _____ Altitude: _____ FT.

@ _____ RPM Wheelbase: _____

Electrical system: 12V 24V Cab to Axle: _____

Air Breaks: Yes No Body Width: 70" 72"

Pump Gear Ratio: _____

Control Location: Side Panel Top Console

Lowest Gear/Torque Converter Ratio: _____

PUMP DRIVE SHAFT INFORMATION

1. Measure distance across lugs of universal joint yoke to determine Spicer yoke series.
2. Check box of appropriate size below.
3. Spicer Lockon yoke supplied on front and rear of pump.

NOTE: If chassis driveline is not one of Spicer yokes listed, contact Darley Engineering.

Distance across lugs	Spicer Yoke Series
<input type="checkbox"/> 4.97	1550
<input type="checkbox"/> 5.31	1610
<input type="checkbox"/> 6.09	1710 (standard)
<input type="checkbox"/> 7.00	1760
<input type="checkbox"/> 7.55	1810

PUMP RATING

- NFPA 1901 Fire Pump
 Other: _____

(Options, Fill in choices)

- Primary water type:** Salt water Fresh water
- Pump material:** Cast Iron Bronze (Recommended for salt water)
- Pump position:** Rear Front
(3 Gear only)
- Seal type:** Packing Mechanical Seal
- Electric Primer:** 12V 24V None
- Primer type:** Fluid Fluid-less
- Mounting Kit:** Standard
- Suction Tee:**
 6" Sweep 6" Victaulic 5" Victaulic
 5" Weld 5" Weld Bronze
- Inline Butterfly Valve:**
 Hand wheel Operated **OR** Electric Actuated
 Manual Vented **OR** Automatically Vented
- Inline Valve Size:**
 4" 5" 6"
- Inline Valve Piping Size:**
 NPT Weld NST
- Suction Caps:** 5" 6"

Suction Adapter:

- 6" Suction Tee
 6" NPT Suction Flange: NPT Weld NST

Discharge Valves: (shipped loose)

- 2-1/2" NH Straight Nipple 2-1/2" NH 30° Down Nipple

Suction Valves: (shipped loose)

- 2-1/2" NH Female 2-1/2" NH Female "Full Flow"

- Inline Tank to Pump Check Valve:** 3" or 4"

- 3/4" Valve Drains** (available on suction or discharge valves)

- Pressure Relief Valve with Remote Control and Pilot Light**(Shipped loose)

- Auto-Governor**

- Suction Relief Valve with Remote Control** (Shipped loose)

- Tachometer Cable (cable only)**

- Hand Speed Counter and Cable**

- Electric Tachometer, Speed Counter and Cable**

- Master Drain Valve (8 openings)**

- Isolated Ports Multiple Drain (6 openings)**

- Pump Overheat Protection System**

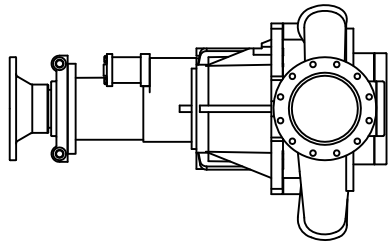
- Complete suction and discharge manifolding w/ valves**

- Air Power Shift**

- Remote Packing Adjustment Cables**

W.S. Darley & Co.

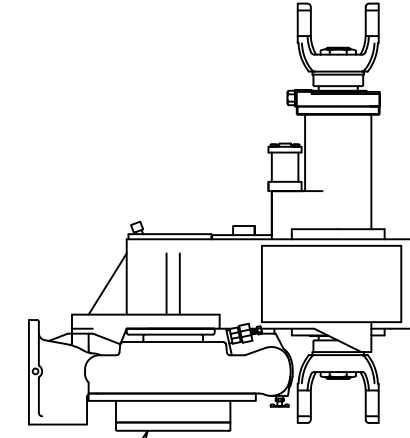
PSM PUMP ORDER FORM



- DISCHARGE FLANGE
- 4" NPT
 - 4" WELD
 - 5" NPT
 - 5" WELD

FLANGE SIZE

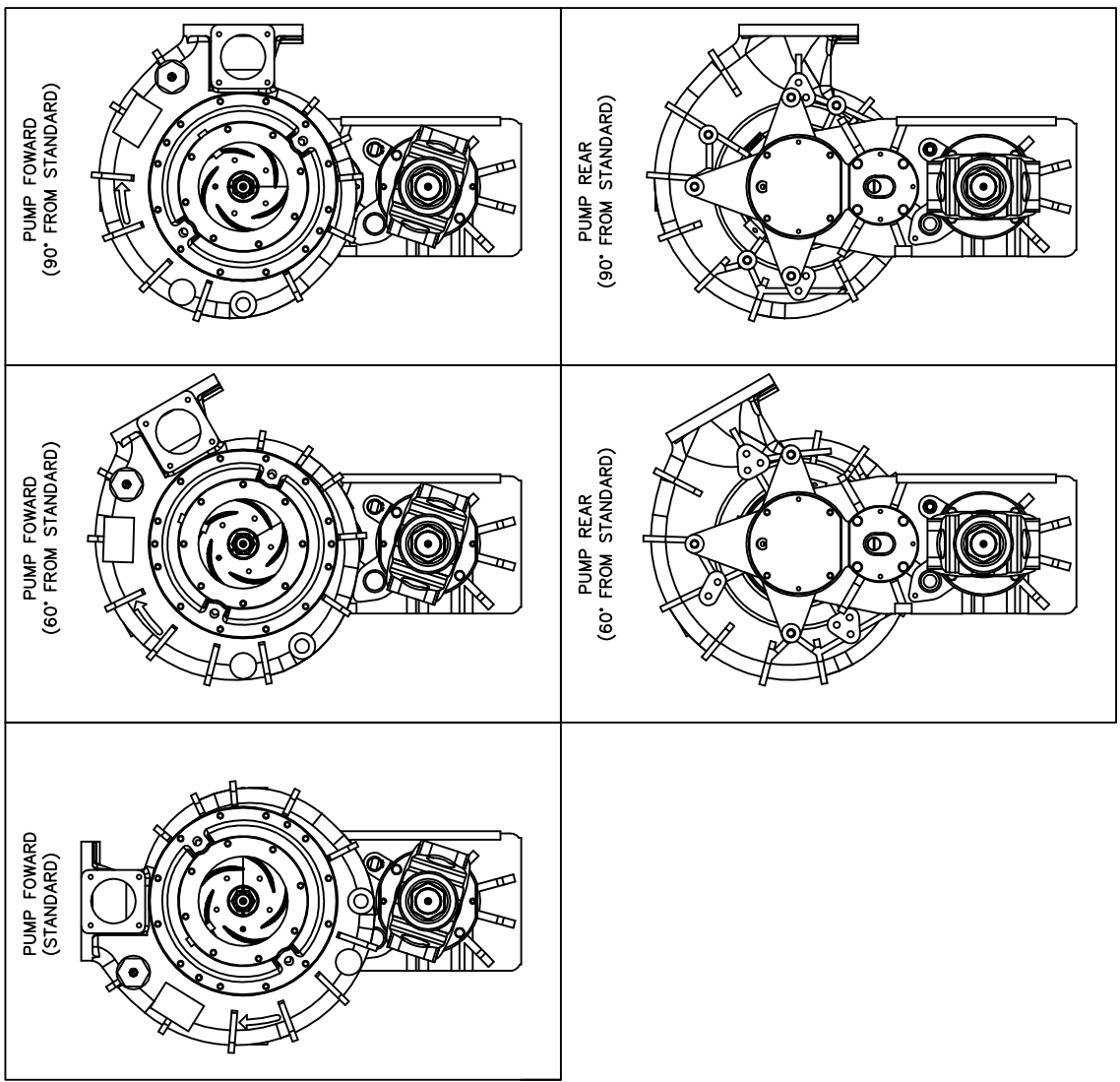
BL	1.5	2	2.5	3
----	-----	---	-----	---




- FLANGE SIZE
- 6" NPT
 - 6" WELD
 - 6" VICTAULIC
 - 6" SWEPT SUCTON TEE VICTAULIC
- 3105300
- 6" 45° SUCTON EXTENSION
(USE WITH 6" SWEPT SUCTON TEE
FOR ADDITIONAL DRIVELINE DROP)
- 3105301
- 6" STRAIGHT SUCTON TEE VICTAULIC

1202010
REV. 4
DEC 2000
LJN
Rev Date: 5/4/18
SLS

REV	DESCRIPTION	DATE	CHG. NO.	APPROVED



REMOVE SHARP EDGES


W.S. DARLEY & CO.
 JACKSONVILLE, FLA. U.S.A.
 PSM PUMP CONFIGURATION

OLD PART NO.	NEW PART NO.	DATE	BY

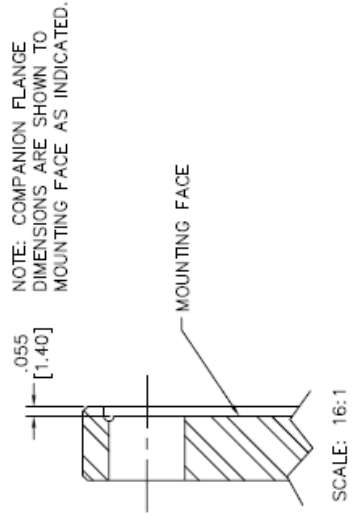
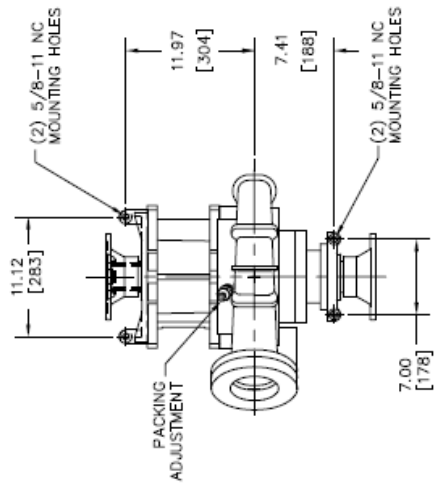
REVISION	DATE	BY

MATERIAL DESCRIPTION:
 ALL DIMENSIONS IN INCHES UNLESS NOTED OTHERWISE

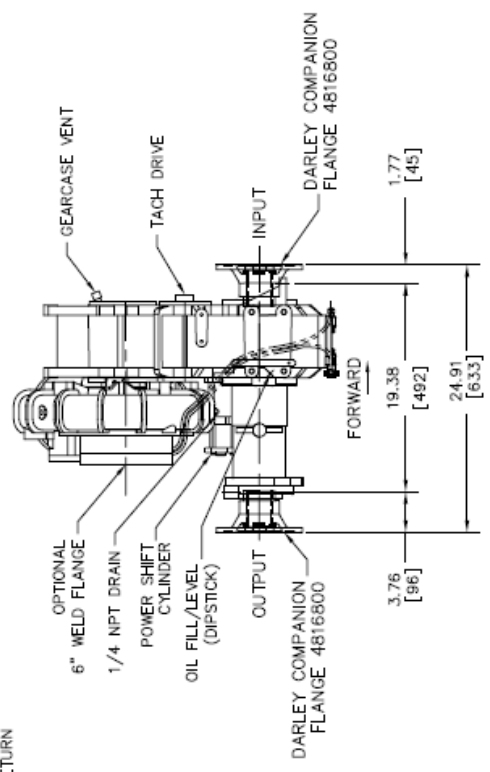
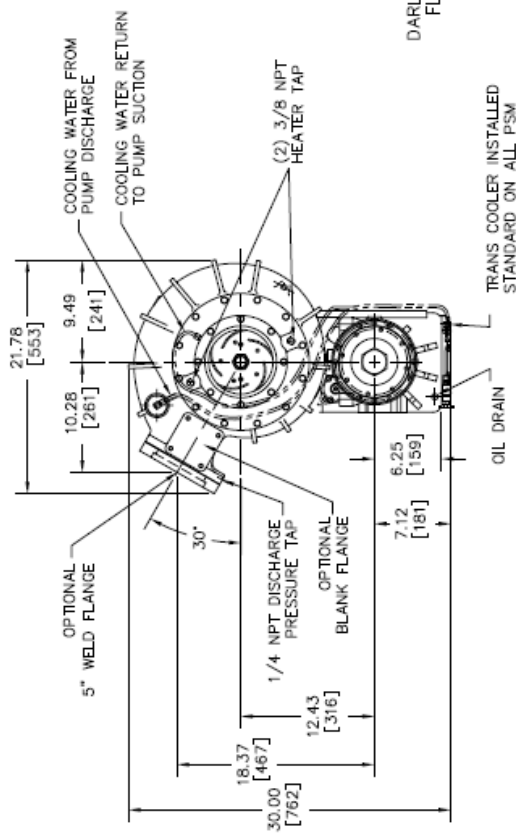
DO NOT SCALE PRINT

DPD0611

REVISIONS		DATE	CHG. NO.	APPROVED
LTR	DESCRIPTION			
A	ADDED 1/4 NPT DRAIN FITTING	01AUG06	2006-267	JMG



NOTE: COMPANION FLANGE DIMENSIONS ARE SHOWN TO MOUNTING FACE AS INDICATED.



REMOVE SHARP EDGES		MATERIAL DESCRIPTION		ALL DIMENSIONS IN INCHES UNLESS NOTED		DO NOT SCALE PRINT	
TOLERANCE EXCEPT AS NOTED		DIM. - PSM, PUMP BEAR. 30° DIMENSIONAL COMP FLANGE		DATE 27SEP04		SCALE 1/8"	
OLD PART NO.	PATTERN NO.	MATERIAL NO.	DATE	DESIGN	SCALE	DRAWN	
						W.S. DARLEY & CO.	
W.S. DARLEY & CO. CHESTER FALLS, PA.				INCH [MILLIMETERS]			

NOTE:
 -APPROX. WEIGHT: 475LBS [215 KG]
 -COMPANION FLANGES FIT 1710/1760/1810

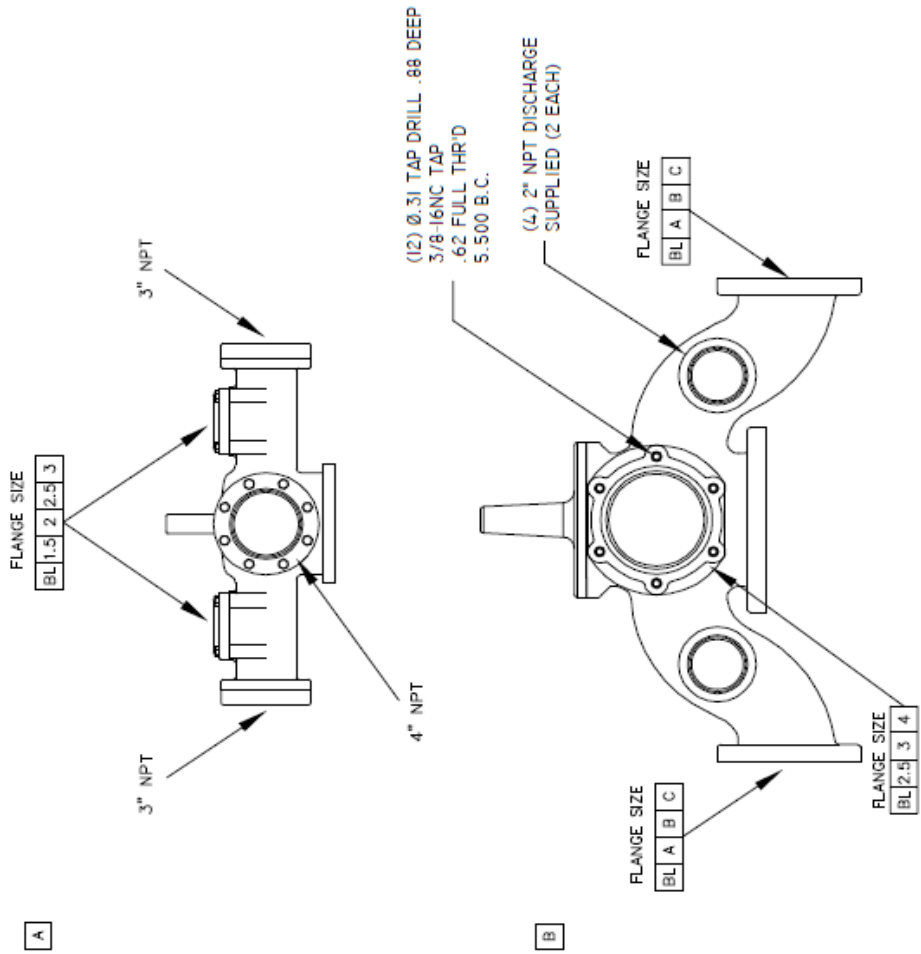
W.S. Darley & Co.

DISCHARGE HEAD OPTIONS

CHECK BOX FOR APPROPRIATE CHOICE OF EACH:

1. DISCHARGE HEAD LETTER.
2. DISCHARGE FLANGE SIZE.
3. DISCHARGE EXTENSION LETTER.

DISCHARGE HEADS



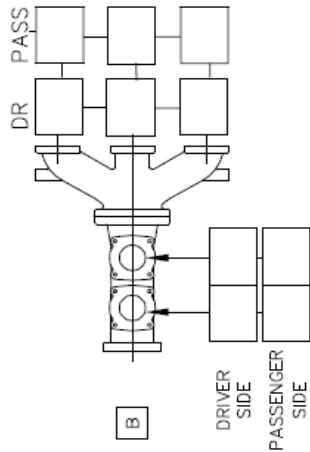
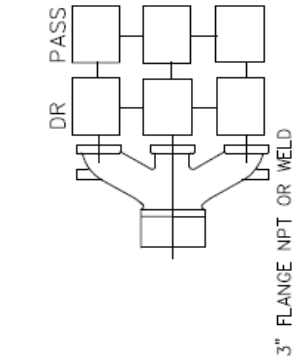
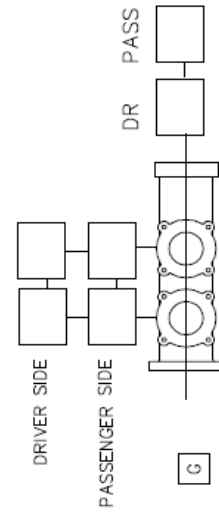
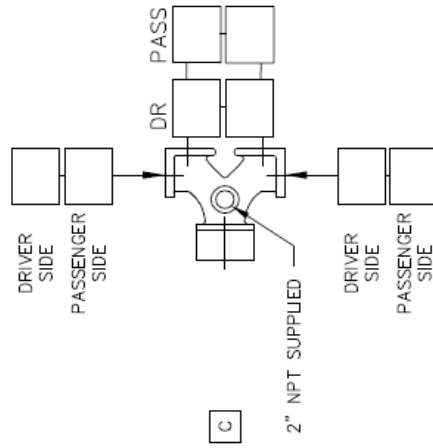
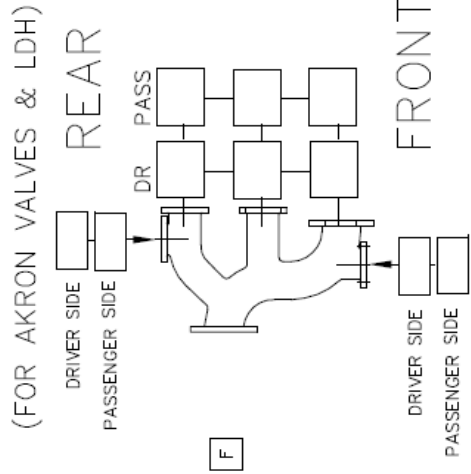
1202017
REV. 5
09/26/08
REV DATE: 09/26/08
REV BY: RJG

W.S. Darley & Co.

PSM PUMP ORDER FORM

DISCHARGE EXTENSIONS

INDICATE REQUIRED COMPANION FLANGE
 SIZE IN BOX CORRESPONDING TO
 DISCHARGE EXTENSION SELECTED.
 AVAILABLE FLANGE SIZES: 1 1/2", 2", 2 1/2", 3".



SHEET 4 OF 4

1202002
 13JUN2005
 REV 6
 REV DATE: 08/2010 JJP

Crating options/Instructions

- Standard Box**
- Wood Crate, Bark Free**
- Heat Treated Skid (Export)**
- Oversized Domestic Skid and Box (38x44)**
- Oversized Export Skid and Box (38x44)**
- Oversized Heat Treated Skid (Export 38x44)**
- Special Crating Instructions:** _____

Additional Comments or Special Instructions

BSP threads instead of NPT
