

# W.S. Darley & Co.

TRUSTED WORLDWIDE SINCE 1908



## Pump Plant & Engineering

1051 Palmer Street  
Chippewa Falls, WI 54729  
Phone 800-634-7812  
Fax 715-726-2656

## Pump Sales & Corporate

325 Spring Lake Dr.  
Itasca, IL 60143-2072  
Phone (708) 345-8050  
Fax (708) 345-8993

Date: \_\_\_\_\_

Bill To: \_\_\_\_\_

P.O. No.: \_\_\_\_\_

\_\_\_\_\_

Customer No.: \_\_\_\_\_

\_\_\_\_\_

Order Completed By: \_\_\_\_\_

\_\_\_\_\_

Desired Delivery Date: \_\_\_\_\_

Ship To: \_\_\_\_\_

End Customer: \_\_\_\_\_

\_\_\_\_\_

Customer Contact:

\_\_\_\_\_

Tel No.: \_\_\_\_\_

\_\_\_\_\_

Fax No.: \_\_\_\_\_

Email: \_\_\_\_\_

# PUMP ORDER FORM

## KSP PUMP

Please review the order form before starting. If any challenges arise, please call our Customer Service Department at (800) 634-7812 for assistance. We will be glad to help. Please fill in the information **completely**.

### Rated capacity: (Choice either GPM or LPM)

GPM:  500       750       1000

LPM:  2000       3000

\*If special testing is required, please indicate your need.

Imperial Gallons (List Capacity) \_\_\_\_\_

Liters per Minute (List Capacity) \_\_\_\_\_

Other (Specify) \_\_\_\_\_

### CHASSIS INFORMATION

Chassis make: \_\_\_\_\_ Transmission Make: \_\_\_\_\_

Model: \_\_\_\_\_ Model: \_\_\_\_\_

Engine: \_\_\_\_\_ Color: \_\_\_\_\_

HP: \_\_\_\_\_ Altitude: \_\_\_\_\_

FT.

@ \_\_\_\_\_ RPM

Electrical system:  12V  24V

### PTO INFORMATION

PTO Model: \_\_\_\_\_

PTO Location: (check one)

PTO % of Engine Speed: \_\_\_\_\_

Driver's Side     Passenger's Side

Intermittent Torque Rating:  
\_\_\_\_\_ FT. / LBS.

PTO Rotation: (check one):

Engine Rotation

Opposite engine rotation

### PUMP RATING

NFPA 1901 Fire Pump

Other: \_\_\_\_\_

(Options, Fill in choices)

**Primary water type:**     Salt water                       Fresh water

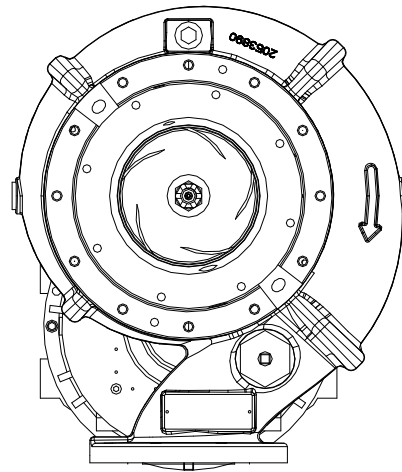
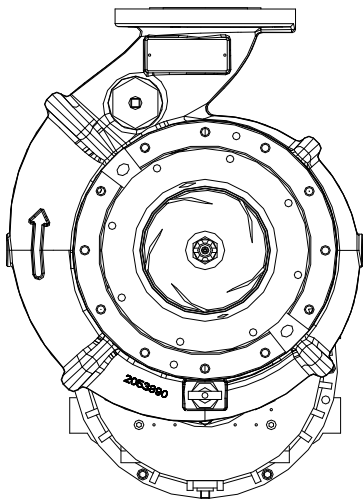
**Pump material:**             Cast Iron                       Bronze (Recommended for salt water)

**Pump position:**             Rear                               Front  
(3 Gear only)

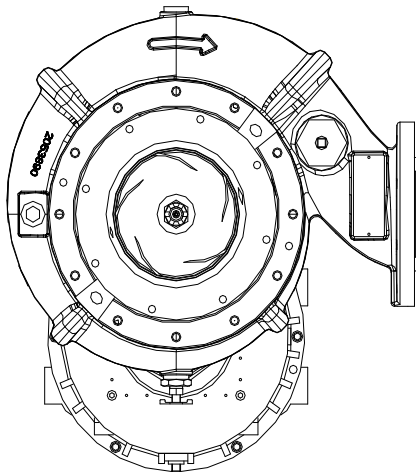
**Volute position:** (select one below)

Standard

6 O'clock



3 O'clock



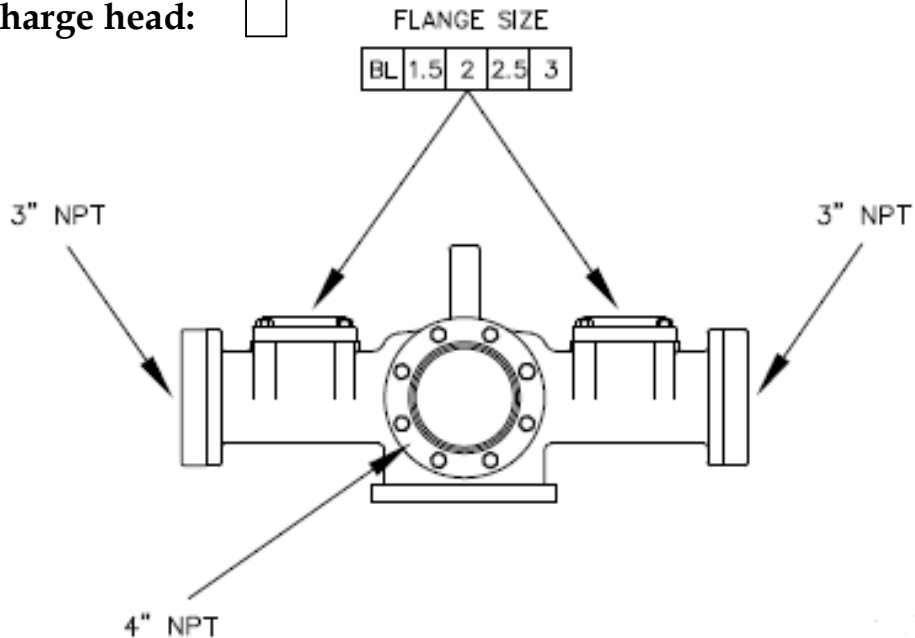
Seal type:  Packing  Mechanical Seal

Electric Primer:  12V  24V  None

Primer type:  Fluid  Fluid less

Mounting Kit:  Standard  18 Degree

Discharge head:



**Discharge Flange:**

4" NPT -Qty \_\_\_\_\_

4" Weld -Qty \_\_\_\_\_

4" NPT Bronze -Qty \_\_\_\_\_

**Suction Tee:**

6" Sweep

6" Victaulic

5" Victaulic

5" Weld

5" Weld Bronze

**Suction Flange:**

6" Weld

6" NPT

5" Weld

5" NPT

**Drive Line Component:**

- 1410 Yoke  
 1410 Companion Flange  
 1410 Lock-On Yoke & Slip Tube

**Inline Butterfly Valve:**

- Hand wheel Operated    **OR**     Electric Actuated  
 Manual Vented                      **OR**     Automatically Vented

**Inline Valve Size:**

- 4"                       5"                       6"

**Inline Valve Piping Size:**

- NPT                       Weld                       NST

**Suction Adapter:**

- 6" Suction Tee  
 6" NPT Suction Flange:     NPT                       Weld                       NST

**Suction Caps:**

- 5"                       6"

**Discharge Valves: (shipped loose)**

- 2-1/2" NST Straight Nipple     2-1/2" NST 30° Down Nipple

**Suction Valves: (shipped loose)**

- 2-1/2" NST Female     2-1/2" NST Female "Full Flow"

**(Options continued, select box to select option, leave blank to not select it)**

**Inline Tank to Pump Check Valve**

**3/4" Valve Drains** (available on suction or discharge valves)

**Pressure Relief Valve with Remote Control and Pilot Light**

**Suction Relief Valve with Remote Control**

**PTO Pump "IN GEAR" Indicator Switch:**

Automatic Transmission       Manual Transmission

**Tachometer Cable (cable only)**

**Hand Speed Counter and Cable**

**Electric Tachometer, Speed Counter and Cable**

**Master Drain Valve (8 openings)**

**Isolated Ports Multiple Drain (6 openings)**

**Pump Overheat Protection System**

# Crating options/Instructions

- Standard Box
- Wood Crate, Bark Free
- Heat Treated Skid (Export)
- Oversized Domestic Skid and Box (38x44)
- Oversized Export Skid and Box (38x44)
- Oversized Heat Treated Skid (Export 38x44)
- UPS Pump Only-Cardboard Box
- Special Crating Instructions: \_\_\_\_\_  
\_\_\_\_\_  
\_\_\_\_\_  
\_\_\_\_\_  
\_\_\_\_\_

