

# W.S. Darley & Co.

TRUSTED WORLDWIDE SINCE 1908



## Pump Plant & Engineering

1051 Palmer Street  
Chippewa Falls, WI 54729  
Phone 800-634-7812

## Pump Sales & Corporate

325 Spring Lake Dr.  
Itasca, IL 60143-2072  
Phone (708) 345-8050  
Fax (708) 345-8993

Date: \_\_\_\_\_

Bill To: \_\_\_\_\_

P.O. No.: \_\_\_\_\_

Customer No.: \_\_\_\_\_

Order Completed By: \_\_\_\_\_

Desired Delivery Date: \_\_\_\_\_

End Customer: \_\_\_\_\_

Customer Contact:

Tel No.: \_\_\_\_\_

Fax No.: \_\_\_\_\_

Email: \_\_\_\_\_

Ship To: \_\_\_\_\_

\_\_\_\_\_

\_\_\_\_\_

\_\_\_\_\_

# "2BH" PUMP ORDER FORM

Please review the order form before starting. If any challenges arise, please call our Customer Service Department at 1-800-634-7812 for assistance. We will be glad to help. Please fill in the information completely.

**We offer hydraulic drive kits and need the information below to engineer the kit.**

## Chassis Information:

Make: \_\_\_\_\_

Model: \_\_\_\_\_

## Engine:

Make: \_\_\_\_\_

Model: \_\_\_\_\_

\_\_\_\_\_ HP @ \_\_\_\_\_ RPM

## Transmission:

Make: \_\_\_\_\_

Model: \_\_\_\_\_

**Discharge Head (Please check choices):**  
(Pump discharge is available as a flange OR a discharge head.)

Discharge Head, with Check Valve

(1) 2-1/2" NPT x (2) 1-1/2" NPT

(2) 2-1/2" NPT x (2) 1-1/2" NPT

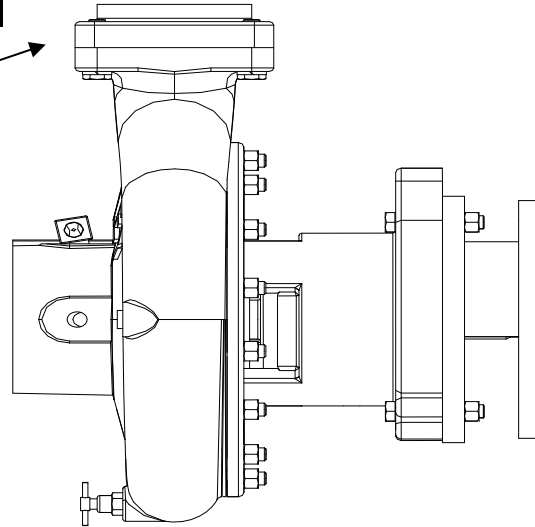
If none, pick flange size (Below)

Flange

2" NPT

2-1/2" NPT

3" NPT



(Options Continued)

**Discharge Thread Adapters (Please check choice):**

<u>Size</u>	<u>Quantity</u>
<input type="checkbox"/> 1-1/2" NH x 1-1/2" NPT	<input type="checkbox"/> 1 <input type="checkbox"/> 2
<input type="checkbox"/> 2-1/2" NH x 2-1/2" NPT	<input type="checkbox"/> 1 <input type="checkbox"/> 2
<input type="checkbox"/> Special Treads: Type: _____ Size: _____	

Discharge Valve Quantity: \_\_\_\_\_

Discharge Cap Quantity: \_\_\_\_\_

**Suction Thread Adapters, with Screen (Please check choice):**

2-1/2" NH x 3" NPT

3" NH x 3" NPT

Special Treads: Type: \_\_\_\_\_ Size: \_\_\_\_\_

Suction Cap Quantity: \_\_\_\_\_

**(Options Continued)**

**Primer (Please check choice):**  Fluid or  Fluid less  
 Electric Primer (12V) or (24V)

**Suction Hose:**

Yes 10 ft. lengths OR  Yes Custom length: \_\_\_\_\_

\*Qty: \_\_\_\_\_

\*List Coupling Type: \_\_\_\_\_

No

**Master Drain (shipped loose):**  Yes  No

**Thermal Relief Valve:**  Yes  No

## Crating options/Instructions

Standard Box

Wood Crate, Bark Free

Heat Treated Skid (Export)

Oversized Domestic Skid and Box (38x44)

Oversized Export Skid and Box (38x44)

Oversized Heat Treated Skid (Export 38x44)

UPS Pump Only-Cardboard Box

Special Crating Instructions: \_\_\_\_\_

---

---

---

---

---

