



1051 Palmer Street
 Chippewa Falls, WI 54729
 Phone (800) 634-7812
 Fax (715) 726-2656

325 Spring Lake Dr
 Itasca, IL 60143-2072
 Phone (708) 345-8050
 Fax (708) 345-8993

LSE PUMP ORDER FORM

Please review the order form before starting. If any challenges arise, please call our Customer Service Department at (800) 634-7812 for assistance. We will be glad to help. Please fill in the information **completely**.
 Rated capacity 500 / 750 / 1000 GPM (Circle choice)

*If special testing is required, please indicate your need.

Imperial Gallons (List Capacity) _____ Liters Per Minute (List Capacity) _____ Other (Specify) _____

P.O. No. _____ Date _____ Account No.: _____

Bill To: _____ Ship To: _____

Desired Delivery Date: _____ Order Completed By: _____ End Customer: _____ Telephone No.: _____

PUMP/ENGINE INFORMATION

Engine _____ HP @ _____ RPM Color _____
 Altitude _____ FT.

Model _____

Flywheel _____

Flywheel Housing _____

* If flywheel and housing are not an SAE standard, complete form 1206001 and contact Darley engineering with information

**PUMP RATING
 (check one)**

_____ NFPA 1901 Fire Pump
 _____ Other _____

Prepared By: AAN
 Approved By: LJN/ TED

OPTIONAL EQUIPMENT

Qty./Choice

Description

** Enter quantity or choice in column at left.*

- _____ Mechanical Seal
- _____ Electric Clutch 12V or 24V
- _____ Discharge Valves with 30° Down Nipples Attached to Pump (Straight Nipples are Standard)
- _____ Discharge Valves with 30° Down Nipples (Shipped Loose)
- _____ Suction Caps 5" or 6"
- _____ Suction Valves 2-1/2" NST Female (Shipped Loose)
- _____ Suction Valves 2-1/2" NST Female Full Flow (Shipped Loose)
- _____ 3/4" Drain Valves Available on Suction or Discharge Valves
- _____ Primer with Primer Valve (Enter at left – 12 V or 24V – Qty – Fluid or Fluidless)
- _____ Pressure Relief Valve with Remote Control and Pilot Light Installed on Pump
- _____ Pressure Relief Valve with Remote Control and Pilot Light (Shipped Loose)
- _____ Suction Relief Valve with Remote Control
- _____ Hand Speed Counter and Cable
- _____ Electric Tachometer, Speed Counter and Cable
- _____ Master Drain Valve (9 Openings)
- _____ Isolated Ports Master Drain Valve (6 Openings)
- _____ Pump Overheat Protection System
- _____ "Vision Series" Panel Markers for Relief Valve and Primer

*** PLEASE ATTACH SPECIAL INSTRUCTIONS TO THIS FORM**

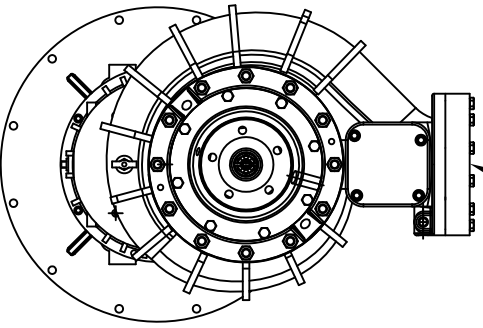
W.S. Darley & Co.

LSE PUMP ORDER FORM

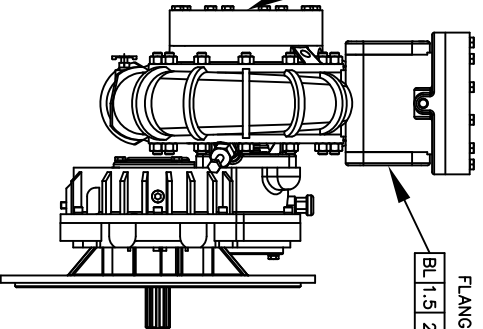
CHECK BOX FOR APPROPRIATE CHOICE OF EACH:

1. SUCTION FLANGE SIZE
2. DISCHARGE FLANGE SIZE
3. GEARCASE POSITION.

- FLANGE SIZE
- 4" NPT
 - 4" WELD
 - 5" NPT
 - 5" WELD
 - OPTIONAL:
DISCHARGE HEAD
(SEPARATE PAGE)



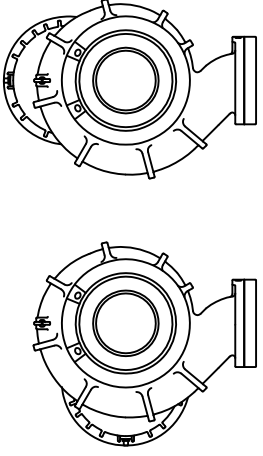
- SUCTION INLET TYPE
- 6" NH (STANDARD)
 - 6" NPT
 - 5" NH



FLANGE SIZE

BL	1.5	2	2.5	3
----	-----	---	-----	---

GEARCASE POSITIONS
AS VIEWED FACING SUCTION INLET
SELECT ONE



- STANDARD
 - ROTATED 90°
- OPTIONAL GEAR CASE ORIENTATION