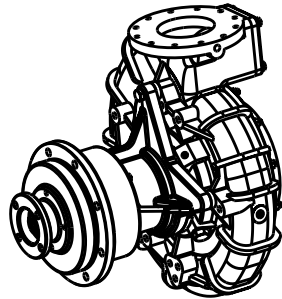
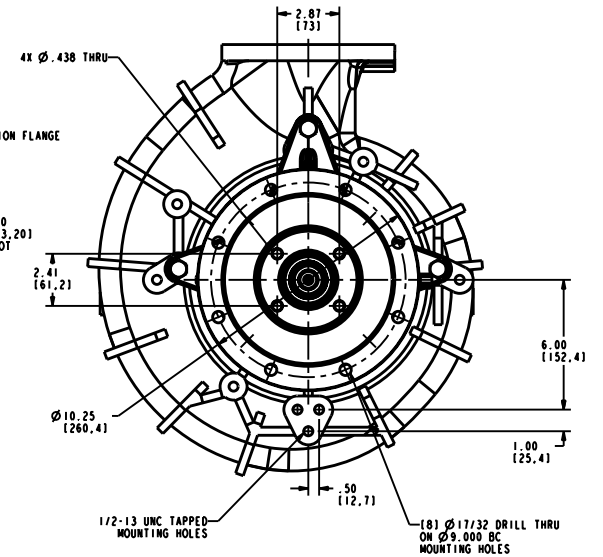
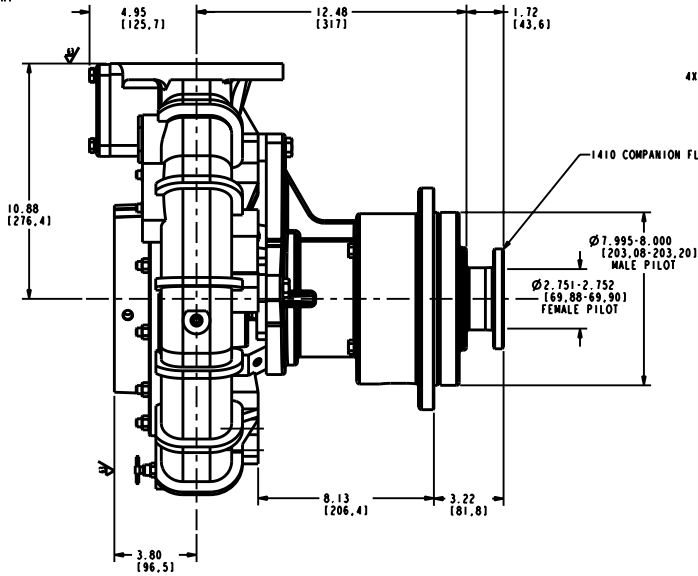
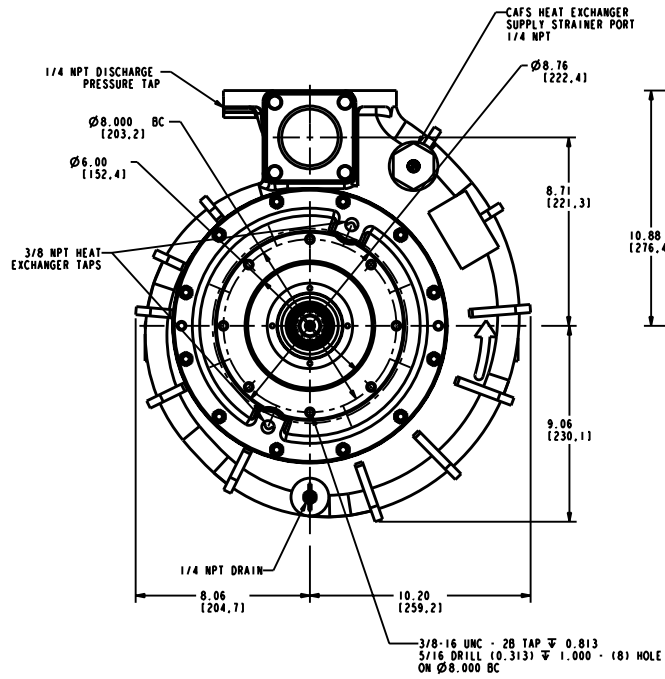
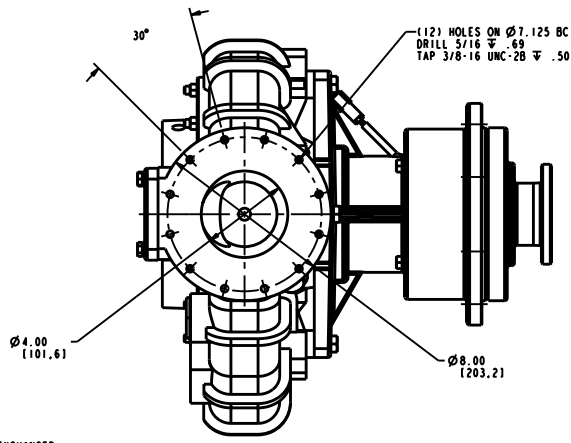


NAME:JMB OBJECT:DPD1402 DATE:13-AUG-10 12:00:53



SCALE 1/4



REVISIONS			
LTB	DESCRIPTION	DATE	CHG NO. APPR

REMOVE SHARP EDGES		1 INCH (25.4 MILLIMETER)	OLD PART NO.	TOLERANCE AS SHOWN	DATE 12-AUG-10	SCALE 3/8
MATERIAL DESCRIPTION:		MATERIAL NO.	PATTERN NO.	W.S. Durley & Co. FLASKS - CALIFORNIA FALLS, WY.	DATE 12-AUG-10	SCALE 3/8
THIS DESIGN IS THE PROPERTY OF W.S. DURLEY AND CO. UNAUTHORIZED REPRODUCTION IS PROHIBITED.		ALL DIMENSIONS IN INCHES UNLESS NOTED		DO NOT SCALE PRINT		DPD1402