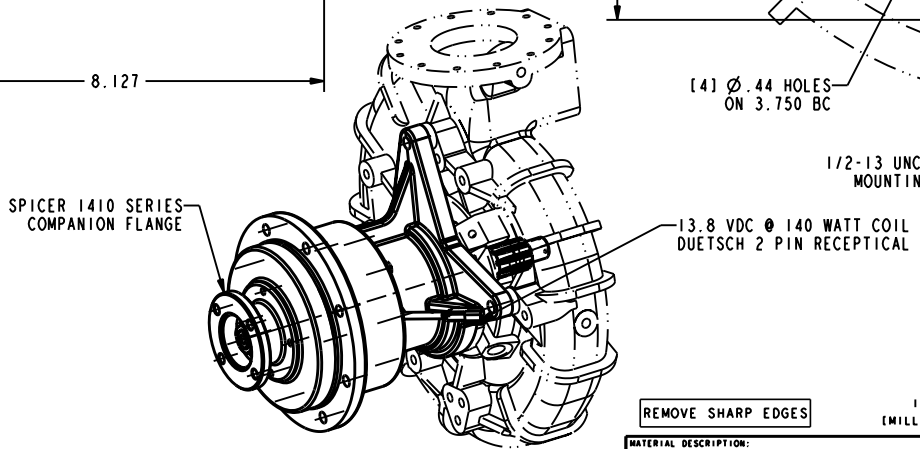
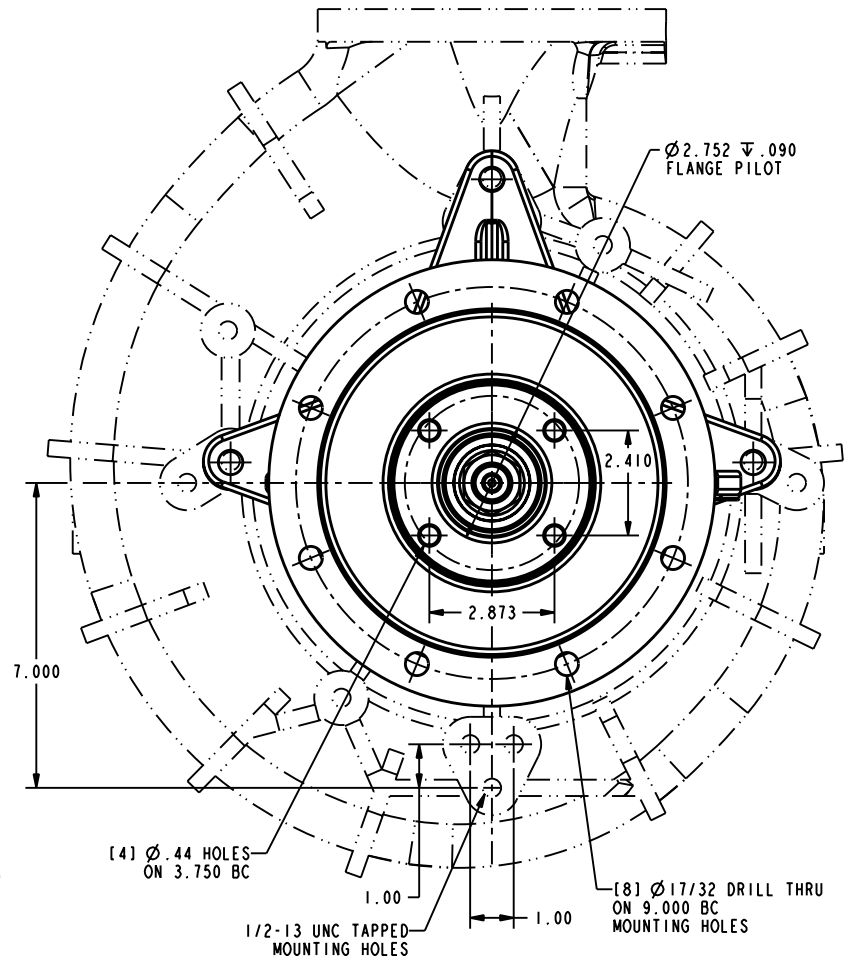
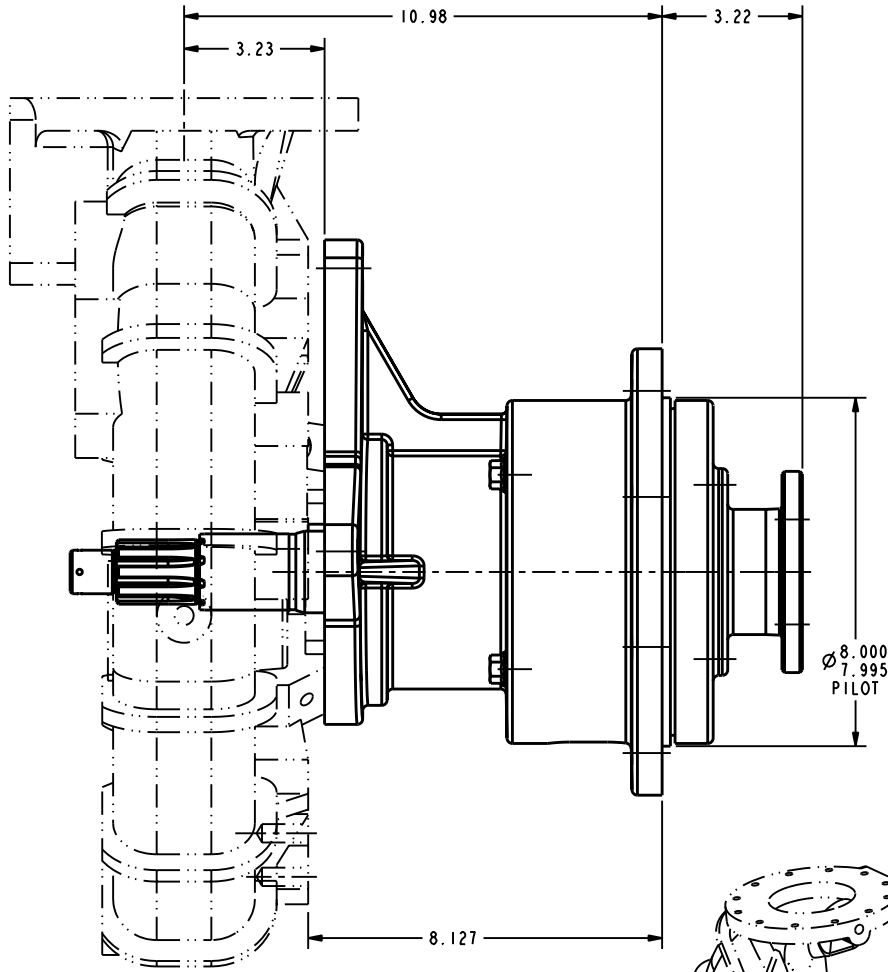


NAME:DWS OBJECT:DPD1400 DATE:07-Jul-10 16:31:50

REVISIONS				
LTR	DESCRIPTION	DATE	CHG NO.	APPR'D



SCALE 1/4

REMOVE SHARP EDGES		INCH (MILLIMETER)	OLD PART NO.	TOLERANCE EXCEPT AS NOTED Ø .000 ±.03 Ø .000 ±.010 ANGLES ±.5°	<table border="1"> <tr> <td>DR'N DWS</td> <td>DATE 02-Jul-10</td> </tr> <tr> <td>CH'D TED</td> <td>SCALE 1/2</td> </tr> <tr> <td>TRCD</td> <td></td> </tr> </table>	DR'N DWS	DATE 02-Jul-10	CH'D TED	SCALE 1/2	TRCD	
DR'N DWS	DATE 02-Jul-10										
CH'D TED	SCALE 1/2										
TRCD											
MATERIAL DESCRIPTION:		MATERIAL NO.	PATTERN NO.	<table border="1"> <tr> <td>MODEL NAME</td> <td>NO. CREATED</td> <td>SHEET</td> </tr> <tr> <td>TF00600</td> <td>30-JUNE-2010</td> <td>1/1 C</td> </tr> </table>		MODEL NAME	NO. CREATED	SHEET	TF00600	30-JUNE-2010	1/1 C
MODEL NAME	NO. CREATED	SHEET									
TF00600	30-JUNE-2010	1/1 C									
THIS DESIGN IS THE PROPERTY OF W.S. DARLEY AND CO. - UNAUTHORIZED REPRODUCTION IS PROHIBITED		ALL DIMENSIONS IN INCHES UNLESS NOTED		W.S. Darley & Co. TASCAS, IL - CHIPPEWA FALLS, WI TRANS - PSD/CLUTCH							
DO NOT SCALE PRINT				DPD1400							