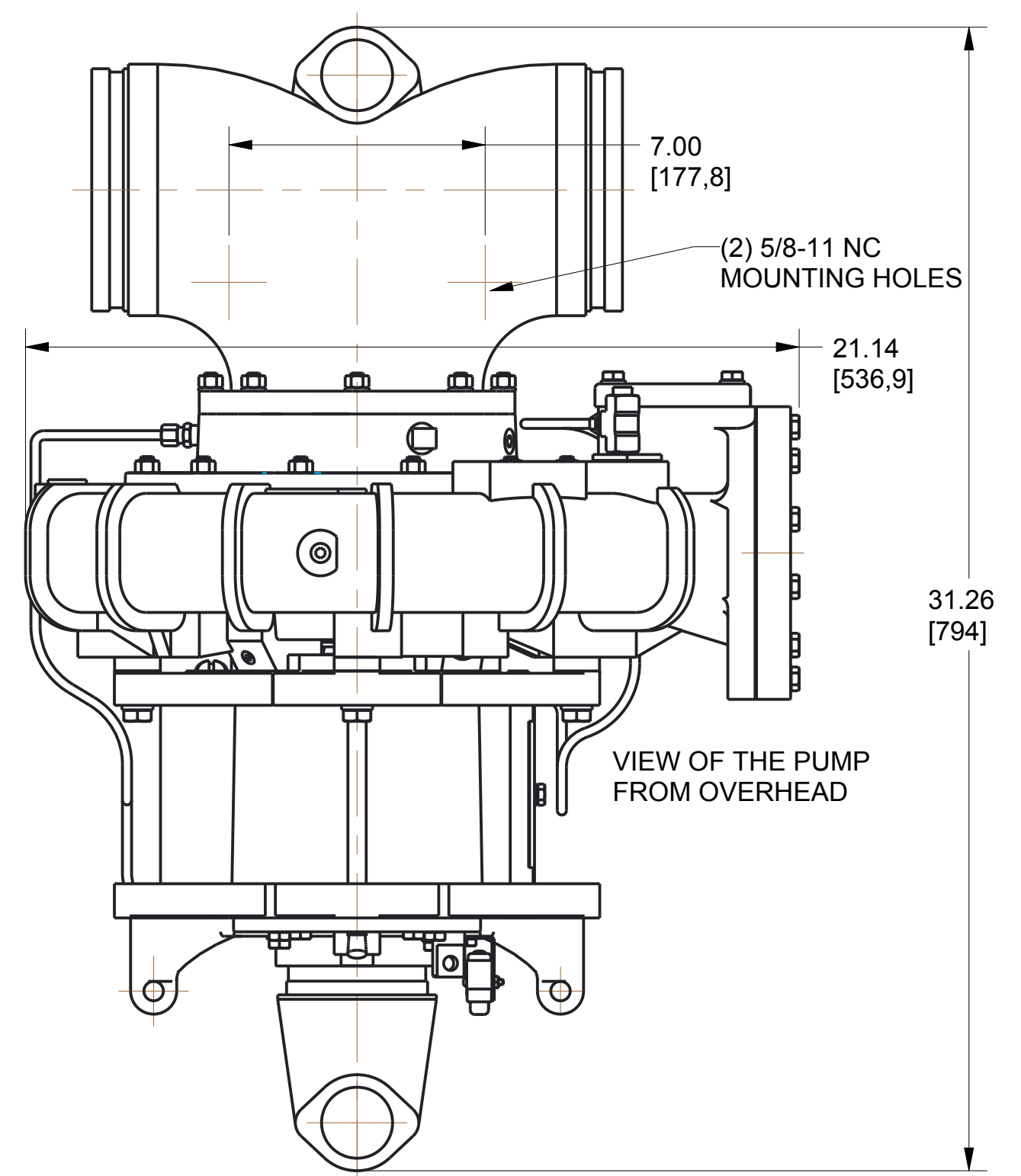
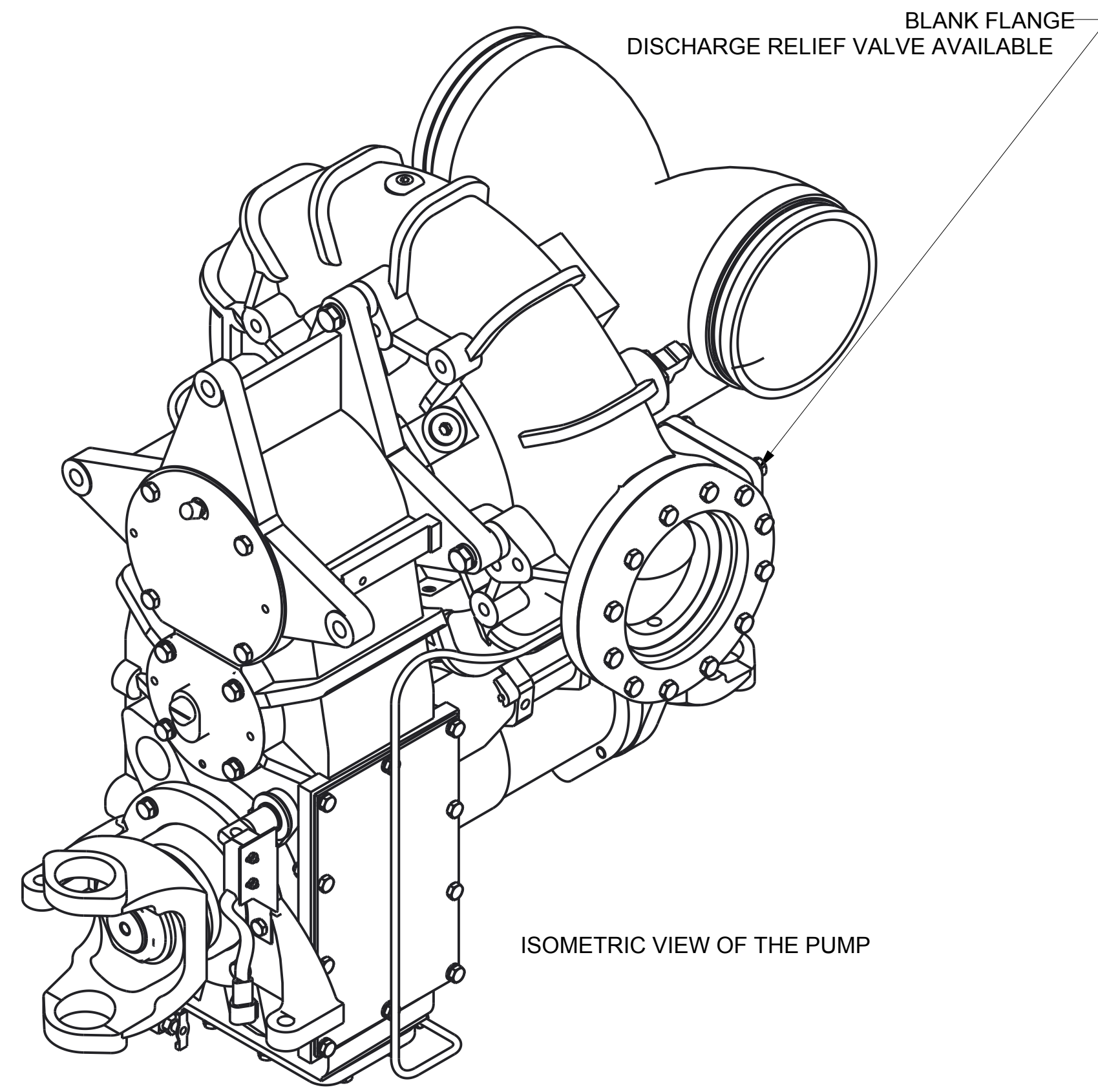
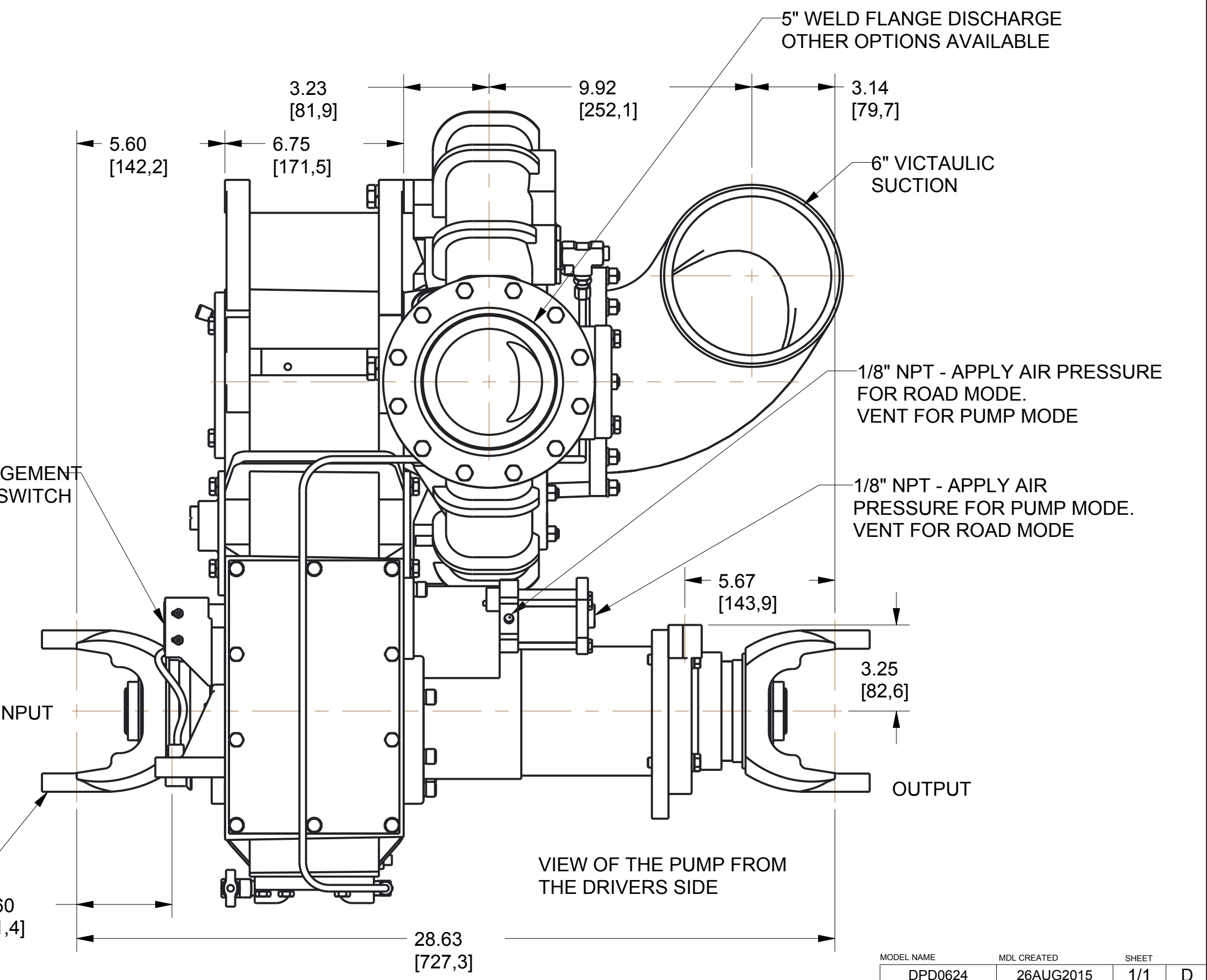
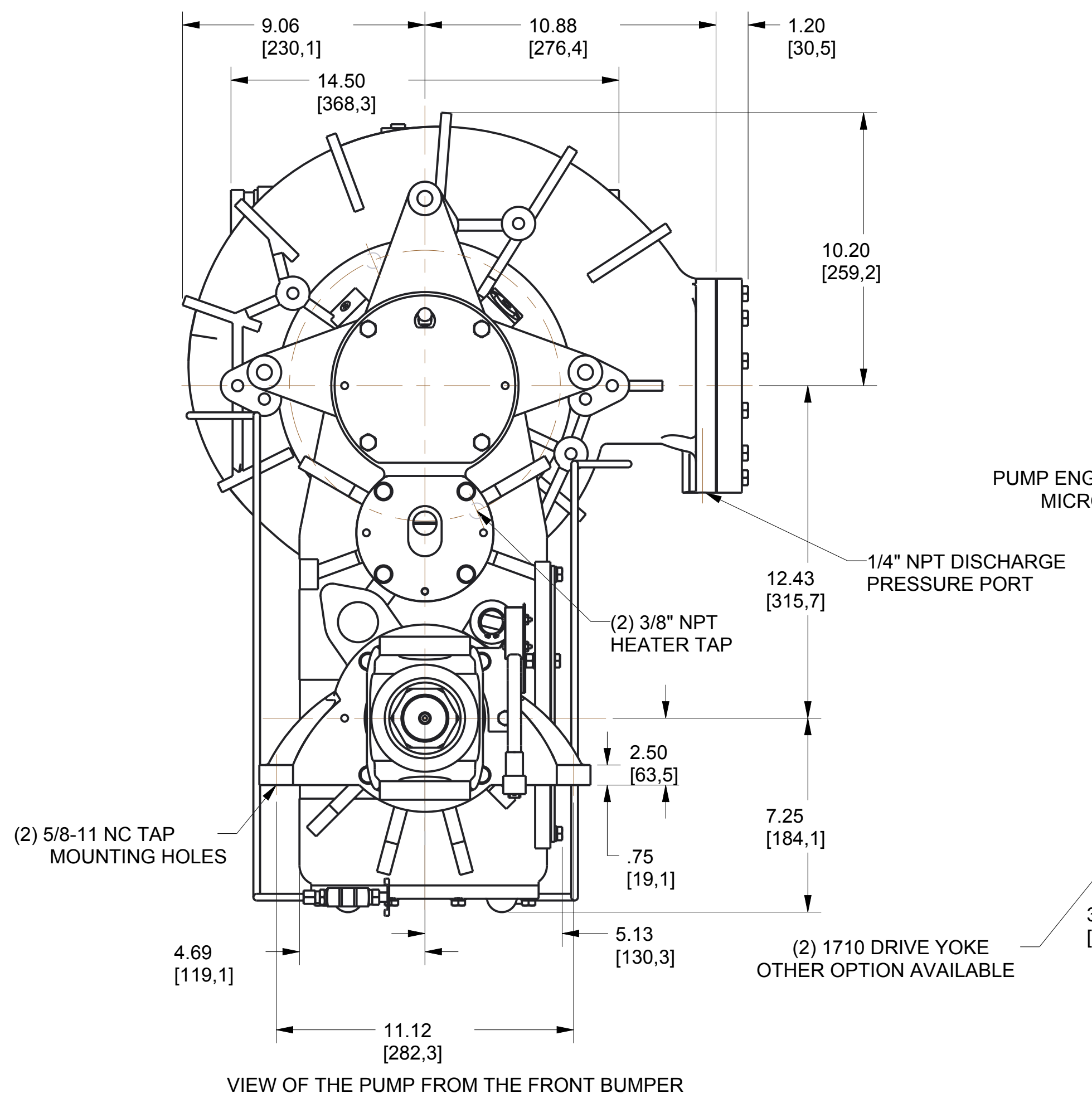
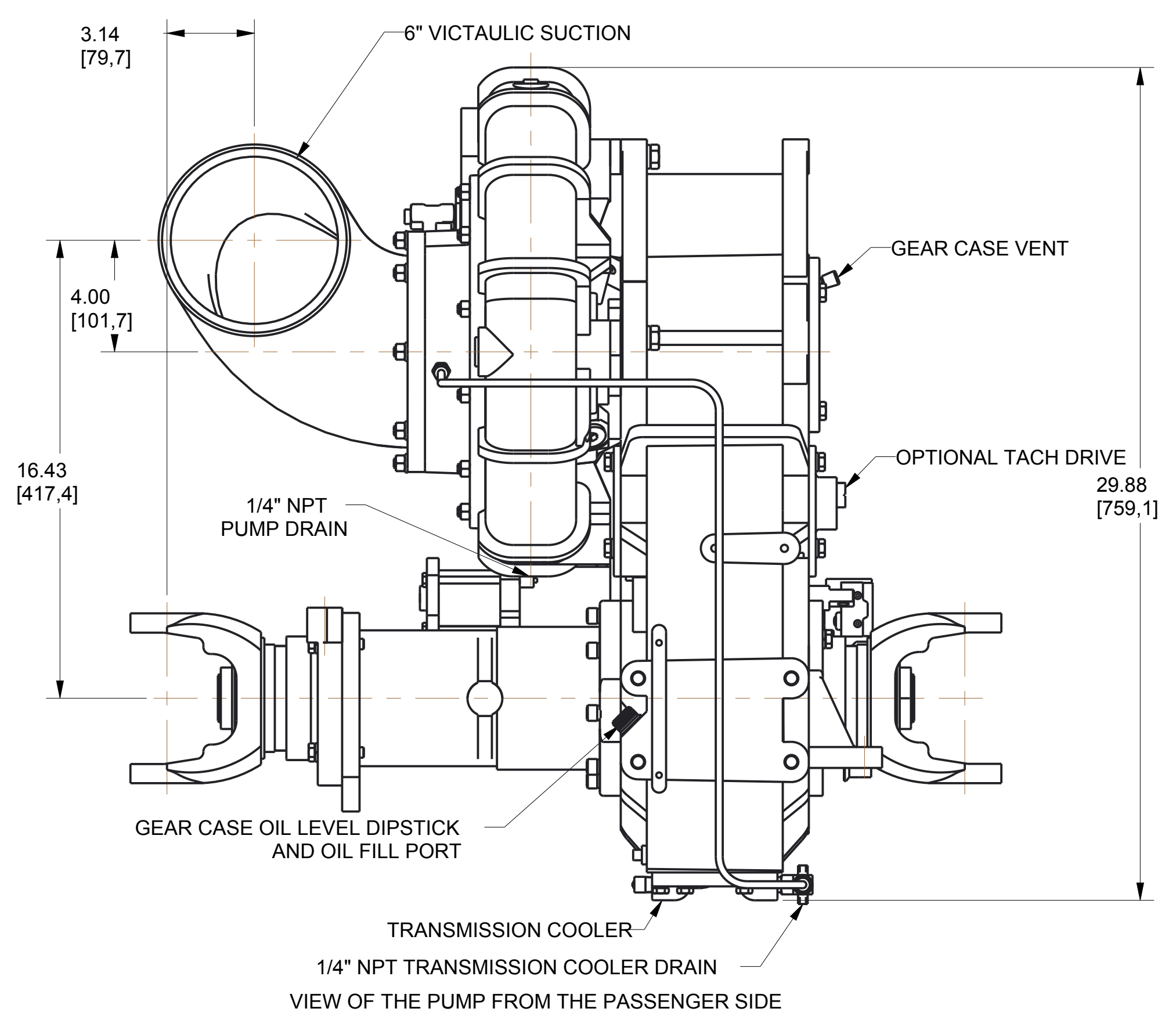


REVISIONS				
LTR	DESCRIPTION	DATE	CHG NO.	APPRD



NOTES:
1) WEIGHT = 538.7 LB.

REFERENCE NOTES:
1) ASSEMBLY AS SHOWN CONSISTS OF;
1 - TM00225
1 - PP00230
1 - 1804200
2 - 4813410
1 - AM01301
1 - AM00403
1 - KR03625
1 - KC02500
1 - AB00401
1 - AH00403
1 - YF00142
1 - YF00601
1 - 1080512



REMOVE SHARP EDGES	INCH (MILLIMETER)	OLD PART NO.	TOLERANCE EXCEPT AS NOTED	W.S. Darley & Co. ITASCA, IL - CHIPPEWA FALLS, WI
MATERIAL DESCRIPTION: AS LISTED		MATERIAL NO.	00 ±.03 2000 ±.010 ANGLES ±.1°	DWG-PSM REAR, 90 DEG CASING DIMENSIONAL W/SWEPT TEE
THIS DESIGN IS THE PROPERTY OF W.S. DARLEY AND CO. - UNAUTHORIZED REPRODUCTION IS PROHIBITED	ALL DIMENSIONS IN INCHES UNLESS NOTED	DO NOT SCALE PRINT	DATE 27AUG2015	SCALE 1/4

MODEL NAME: DPD0624
MIL. CREATED: 26AUG2015
SHEET: 1/1

DPD0624