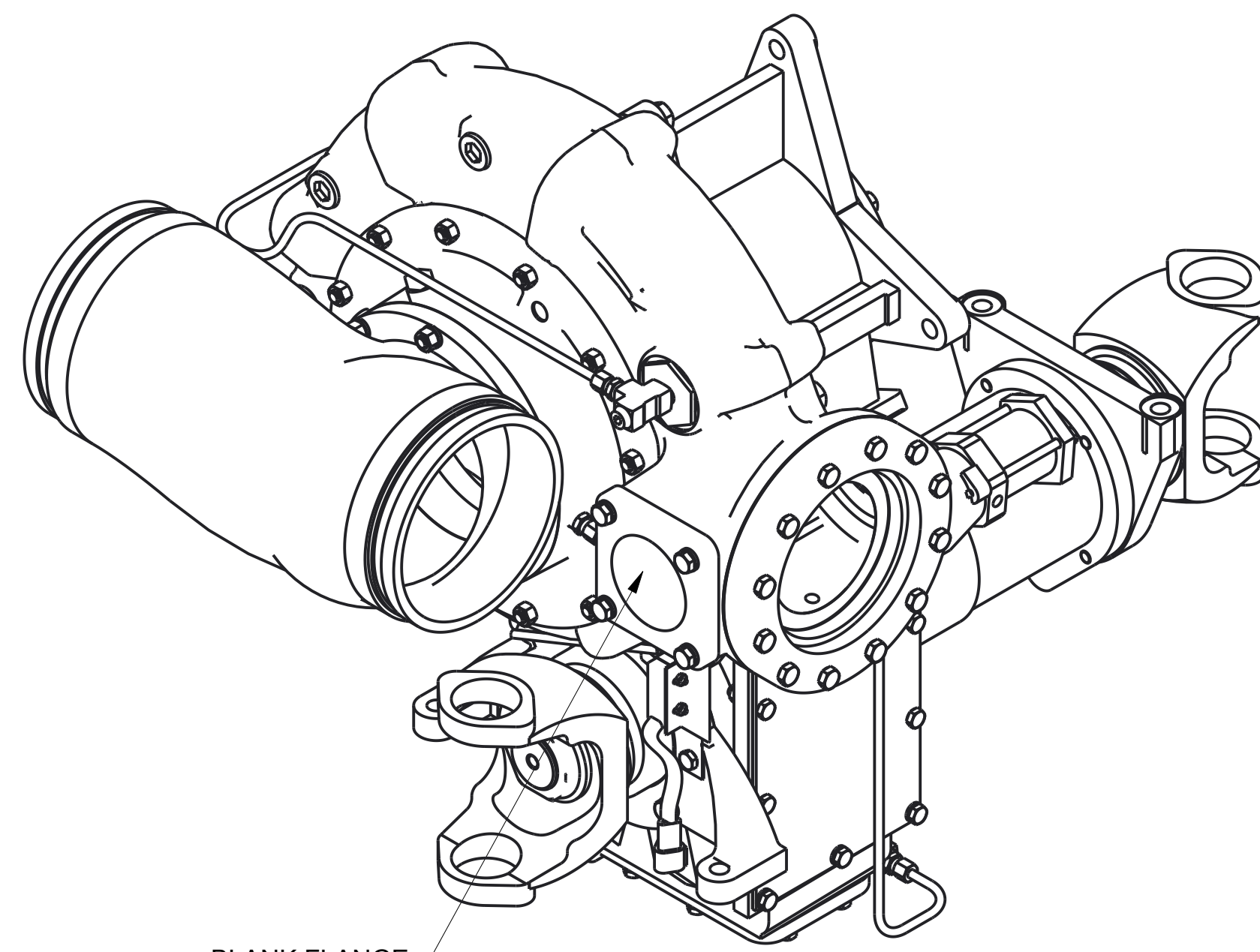
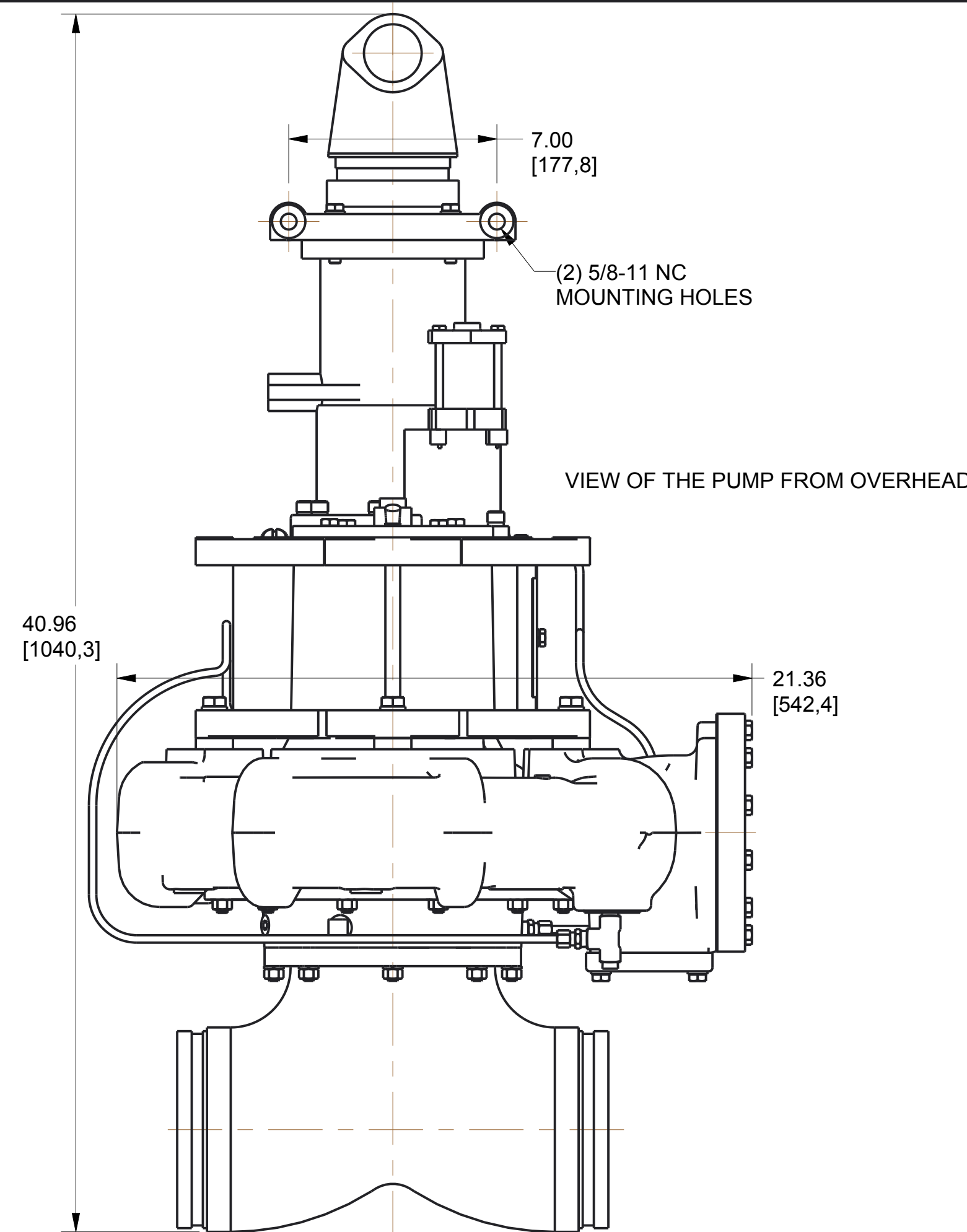


REVISIONS				
LTR	DESCRIPTION	DATE	CHG NO.	APPRD



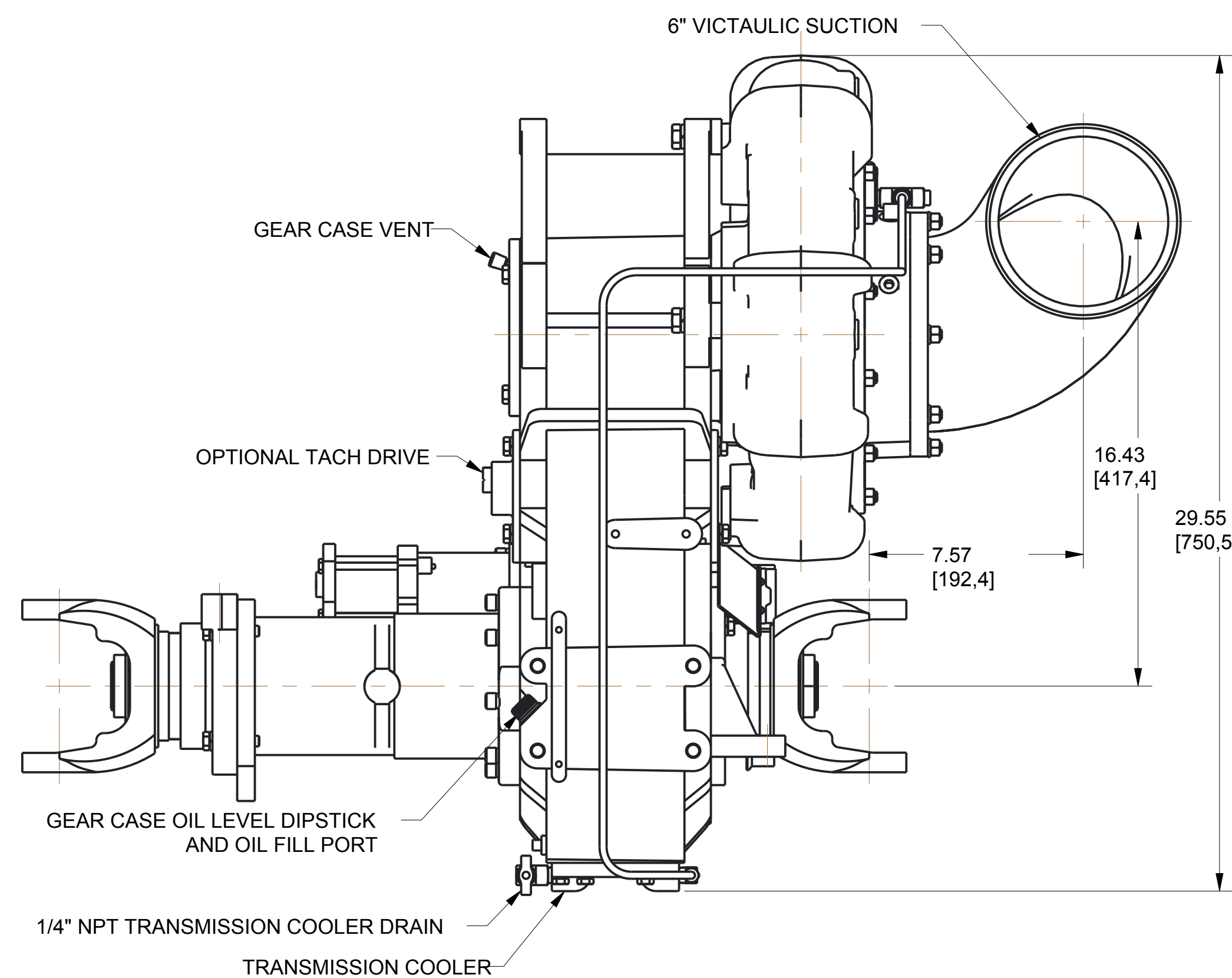
BLANK FLANGE
DISCHARGE RELIEF VALVE AVAILABLE
ISOMETRIC VIEW OF THE PUMP



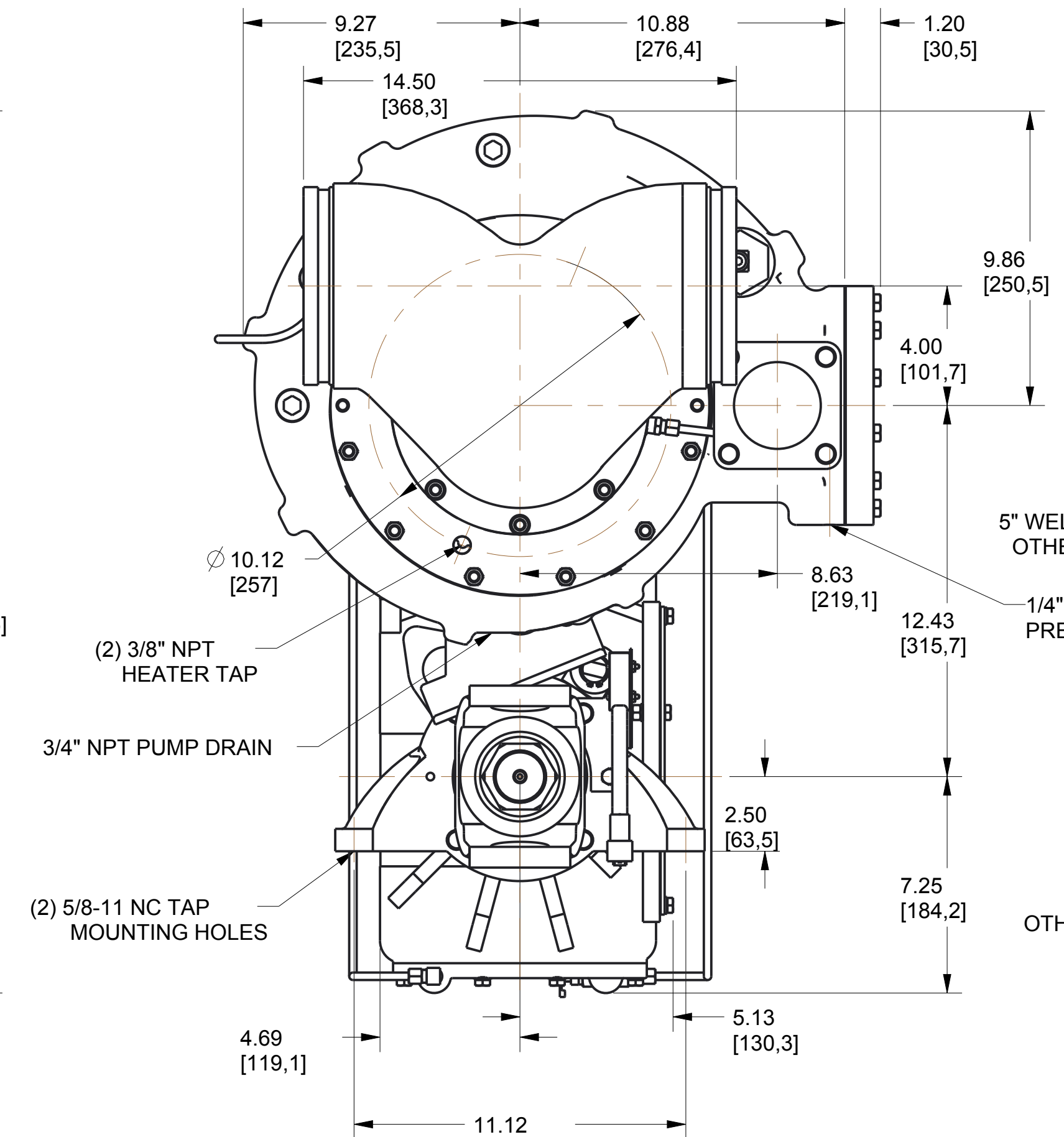
VIEW OF THE PUMP FROM OVERHEAD

NOTES:
1) WEIGHT = 542.8 LB.

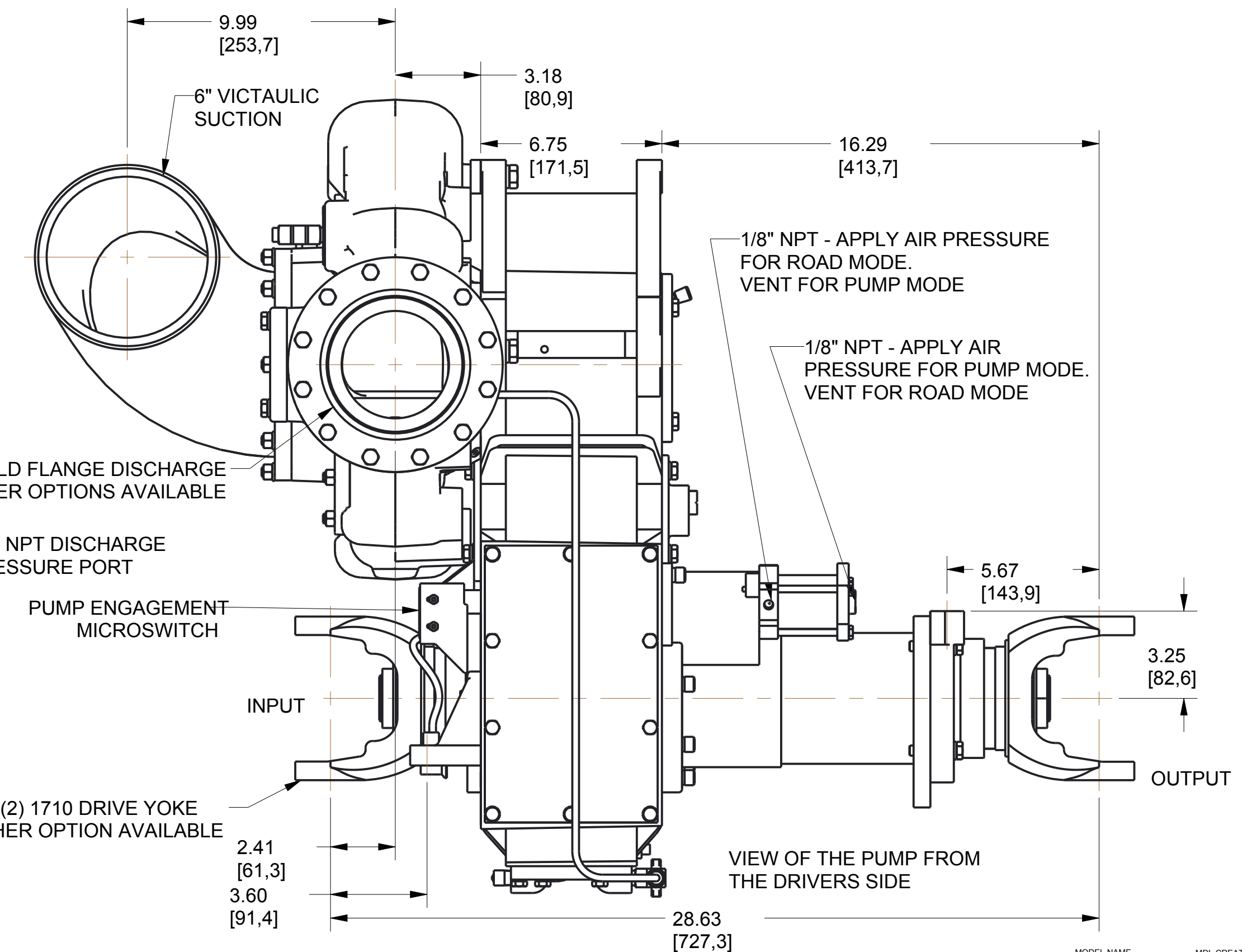
REFERENCE NOTES:
1) ASSEMBLY AS SHOWN CONSISTS OF;
1 - TM00225
1 - PP00273
1 - 1804200
1 - 3203308
2 - 4813410
1 - AM01301
1 - AM00403
1 - KR03625
1 - KC02500
1 - AB00401
1 - AH00403
1 - YF00142
1 - YF00601
1 - 1080512



VIEW OF THE PUMP FROM THE PASSENGER SIDE



VIEW OF THE PUMP FROM THE FRONT BUMPER



VIEW OF THE PUMP FROM THE DRIVERS SIDE

REMOVE SHARP EDGES		INCH (MILLIMETER)		TOLERANCE EXCEPT AS NOTED 00 ±.03 2000 ±.010 ANGLES ±.1°		OLD PART NO.		DATE 25AUG2015		SCALE 1/4	
MATERIAL DESCRIPTION: AS LISTED				MATERIAL NO.		PATTERN NO.		DWG-PSM FWD, 90 DEG CASING DIMENSIONAL W/SWEPT TEE		DPD0623	
THIS DESIGN IS THE PROPERTY OF W.S. DARLEY AND CO. - UNAUTHORIZED REPRODUCTION IS PROHIBITED				ALL DIMENSIONS IN INCHES UNLESS NOTED		DO NOT SCALE PRINT		DRN WAH CHKD TRCD		W.S. Darley & Co. ITASCA, IL - CHIPPEWA FALLS, WI	

MODEL NAME: DPD0623
MIL CREATED: 21AUG2015
SHEET: 1/1