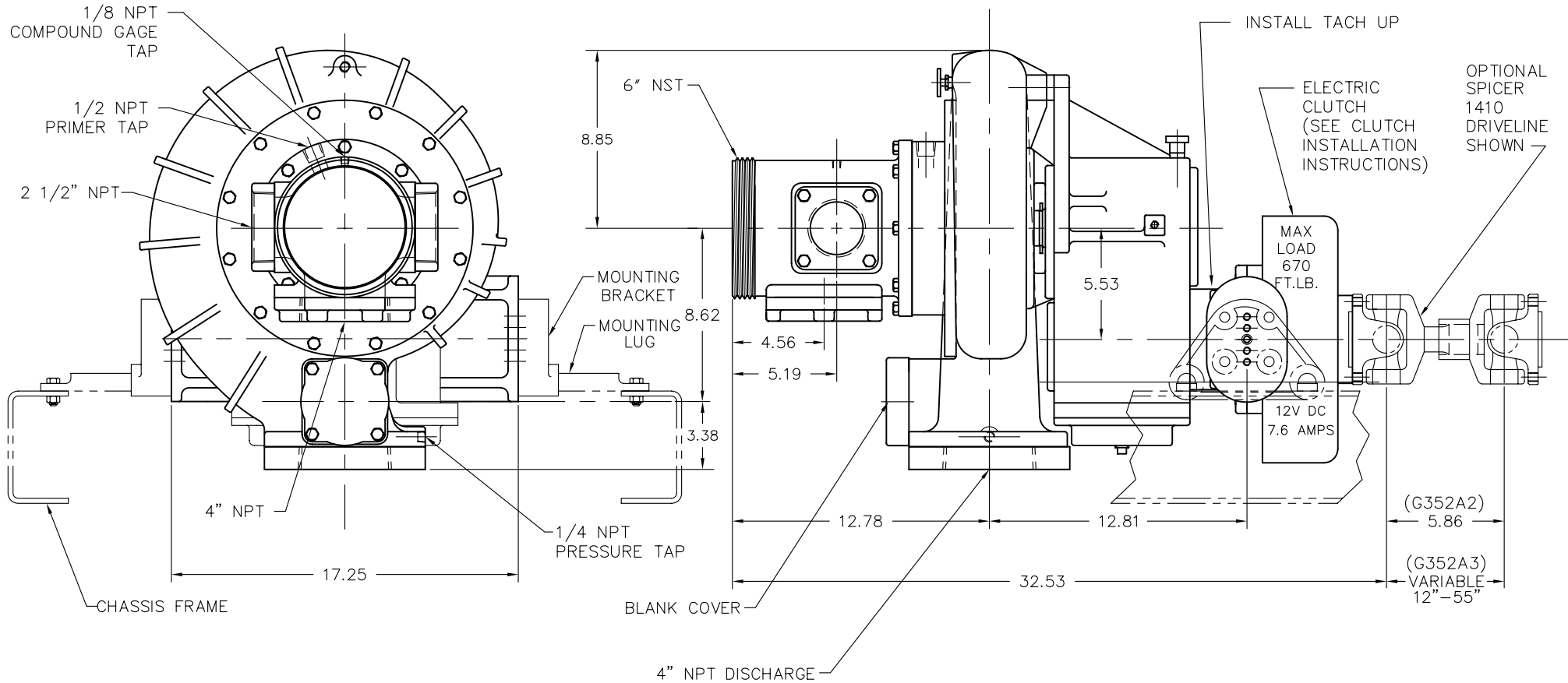


PSF FRONT MOUNT PUMP
 NFPA 1901 RATINGS AVAILABLE
 1000 GPM
 1250 GPM
 1500 GPM



NOTE: INSTALL TACH UP


MATERIAL:

PATTERN NO.

THIS DESIGN IS THE PROPERTY OF
 W.S. DARLEY AND CO. - UNAUTHORIZED
 REPRODUCTION IS PROHIBITED

ALL DIMENSIONS IN
 INCHES UNLESS NOTED

DO NOT SCALE PRINT

PART NO.	DATE	CHANGE
 W.S. DARLEY & CO. MELROSE PARK, IL - CHIPPEWA FALLS, WI		
DWG - PSF DIMENSIONAL LOW PRO		
DR'N	TED	DATE JAN28,97
CHKD		SCALE 1/4
TRCD		DPD0300