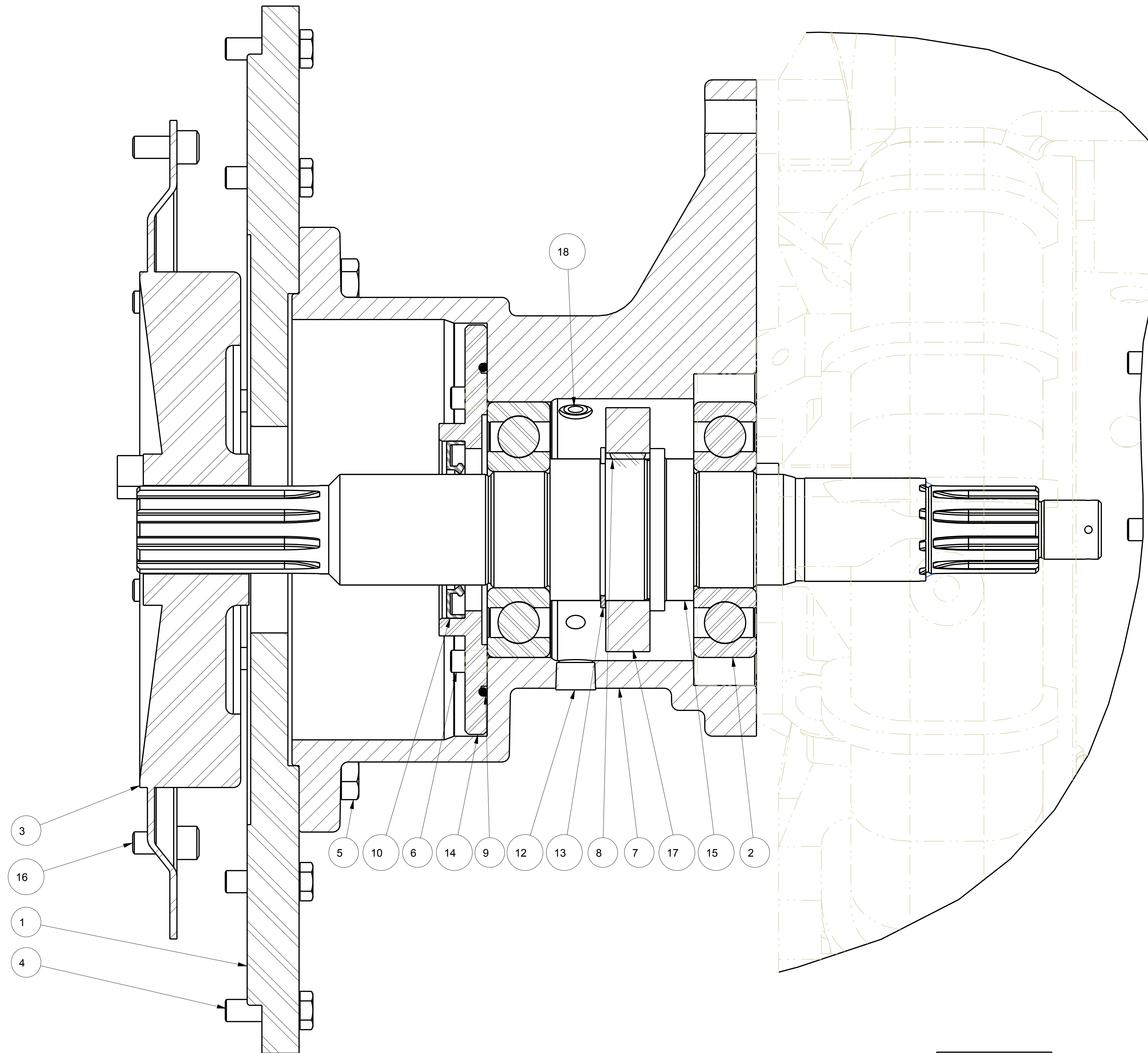


NO.	DESCRIPTION	PART NO.	QTY.
1	ADAPTER, ENGINE, SAE3	2006300	1
2	BEARING-BALL, 310SF	1722101	2
3	DRIVE DISC - VKE, SAE #11.5	2002601	1
4	HHCS - .375-16 x 1.25, GR5	5400037	12
5	HHCS - .500-13 x 1.50, GR5	5400067	8
6	HHCS - FLANGED, .375-16 X 1.00	5402845	4
7	HOUSING - PSDE	1805820	1
8	KEY - WOODRUFF, 605 (#61)	3602201	1
9	O-RING - 5.38 x 5.62 x .12	3601244	1
10	OIL SEAL - 1.875 ID X 3.005 OD	3600540	1
11	PLUG - PIPE, 0.125, ZN SOC HD	1080537	1
12	PLUG - PIPE, 0.375, MAG SOC HD	1080510	1
13	RING - RETAINER, 5100-237	3600470	1
14	RING - RETAINER, BEARING	2305181	1
15	SHAFT - PSDE	5022802	1
16	SHCS - .375-16 x .75, GR8	5401021	8
17	SLINGER - OIL, PSD, 2.402 ID	3206002	1
18	VENT - GEARCASE	4401800	1

REVISIONS				
LTR	DESCRIPTION	DATE	CHG NO.	APPRD



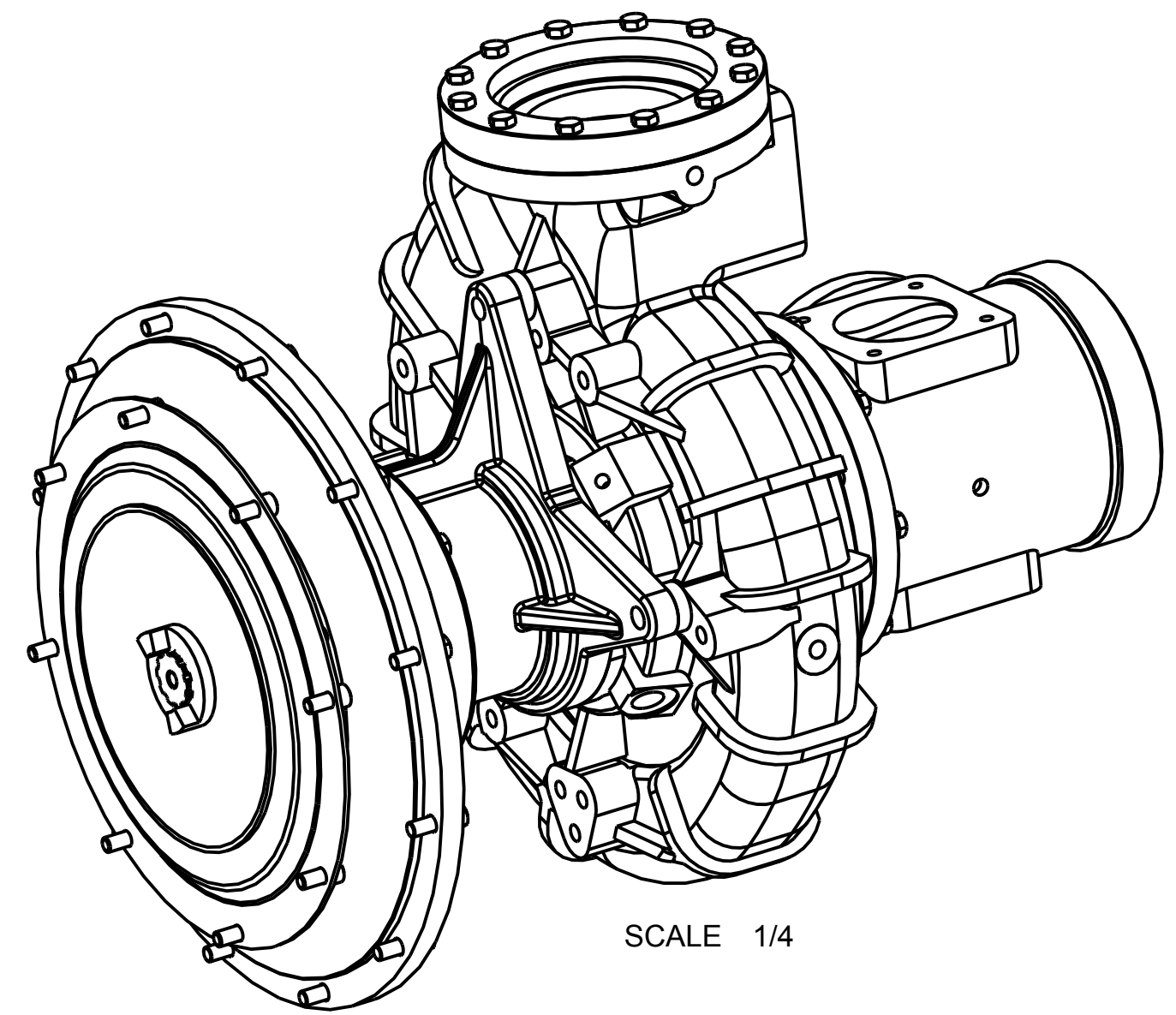
SECTION A-A

REMOVE SHARP EDGES		INCH (MILLIMETER)				OLD PART NO.	TOLERANCE EXCEPT AS NOTED	 ITASCA, IL - CHIPPEWA FALLS, WI	
MATERIAL DESCRIPTION: SEE TABLE		MATERIAL NO.		PATTERN NO.		.00 ±.03 .000 ±.010 ANGLES ±.1°		DWG-PSDE SAE 3 X 11.5	
THIS DESIGN IS THE PROPERTY OF W.S. DARLEY AND CO. - UNAUTHORIZED REPRODUCTION IS PROHIBITED		ALL DIMENSIONS IN INCHES UNLESS NOTED		DO NOT SCALE PRINT		DRN SMS CHKD RJG TRCD		DATE 22-Oct-12 SCALE 1/1	

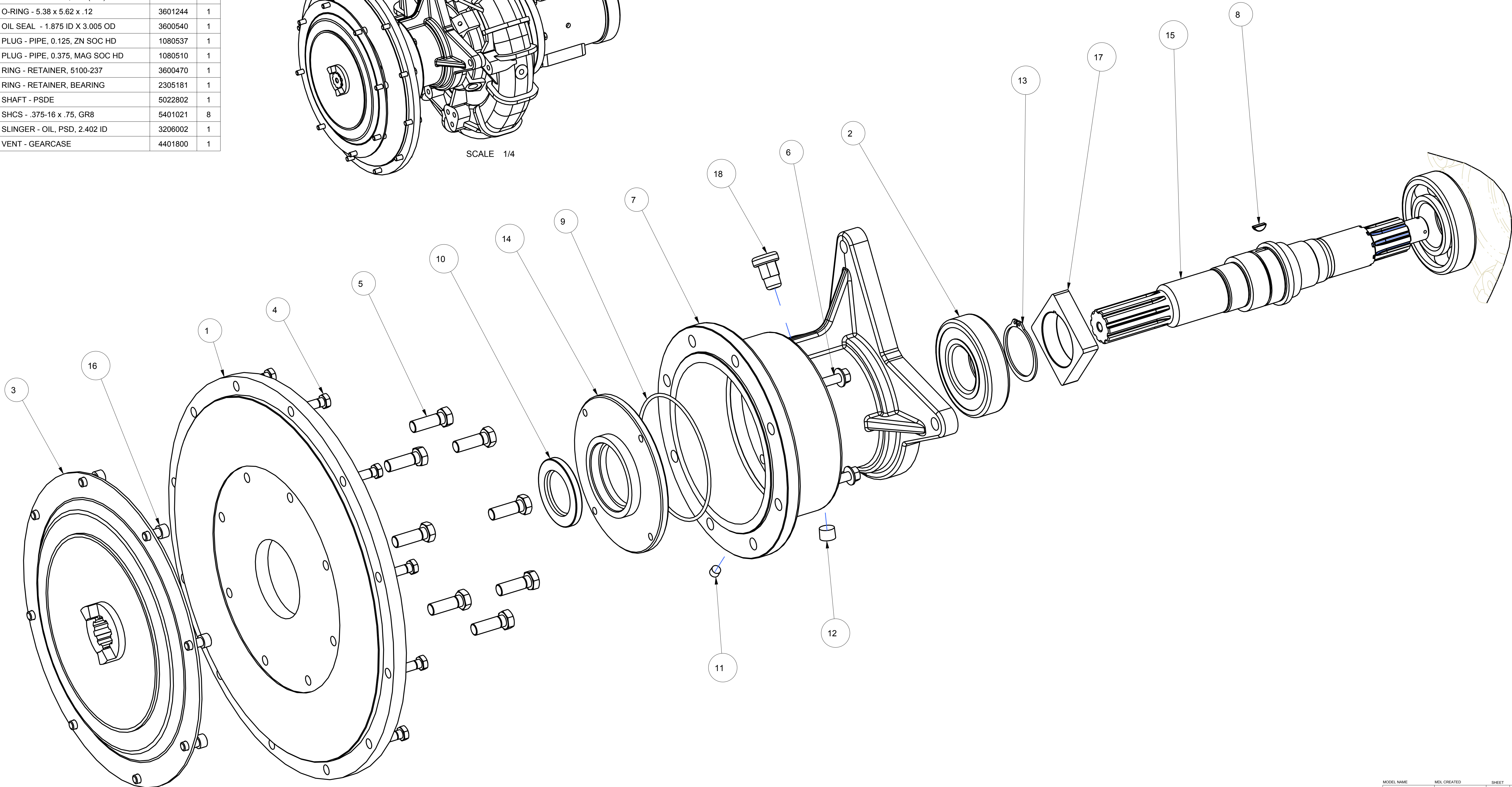
DPC1602

NO.	DESCRIPTION	PART NO.	QTY.
1	ADAPTER, ENGINE, SAE3	2006300	1
2	BEARING-BALL, 310SF	1722101	2
3	DRIVE DISC - VKE, SAE #11.5	2002601	1
4	HHCS - .375-16 x 1.25, GR5	5400037	12
5	HHCS - .500-13 x 1.50, GR5	5400067	8
6	HHCS - FLANGED, .375-16 X 1.00	5402845	4
7	HOUSING - PSDE	1805820	1
8	KEY - WOODRUFF, 605 (#61)	3602201	1
9	O-RING - 5.38 x 5.62 x .12	3601244	1
10	OIL SEAL - 1.875 ID X 3.005 OD	3600540	1
11	PLUG - PIPE, 0.125, ZN SOC HD	1080537	1
12	PLUG - PIPE, 0.375, MAG SOC HD	1080510	1
13	RING - RETAINER, 5100-237	3600470	1
14	RING - RETAINER, BEARING	2305181	1
15	SHAFT - PSDE	5022802	1
16	SHCS - .375-16 x .75, GR8	5401021	8
17	SLINGER - OIL, PSD, 2.402 ID	3206002	1
18	VENT - GEARCASE	4401800	1

REVISIONS				
LTR	DESCRIPTION	DATE	CHG NO.	APPRD



SCALE 1/4



MODEL NAME: TE01000 MDL CREATED: 24OCT2012 SHEET: 2/2 D

REMOVE SHARP EDGES		INCH (MILLIMETER)	OLD PART NO.	TOLERANCE EXCEPT AS NOTED	W.S. Darley & Co. ITASCA, IL - CHIPPEWA FALLS, WI
MATERIAL DESCRIPTION: SEE TABLE			MATERIAL NO.	PATTERN NO.	DWG-PSDE SAE 3 X 11.5
THIS DESIGN IS THE PROPERTY OF W.S. DARLEY AND CO. - UNAUTHORIZED REPRODUCTION IS PROHIBITED		ALL DIMENSIONS IN INCHES UNLESS NOTED	DO NOT SCALE PRINT	DATE: 24-Oct-12	DPC1602
				SCALE: 1/2	