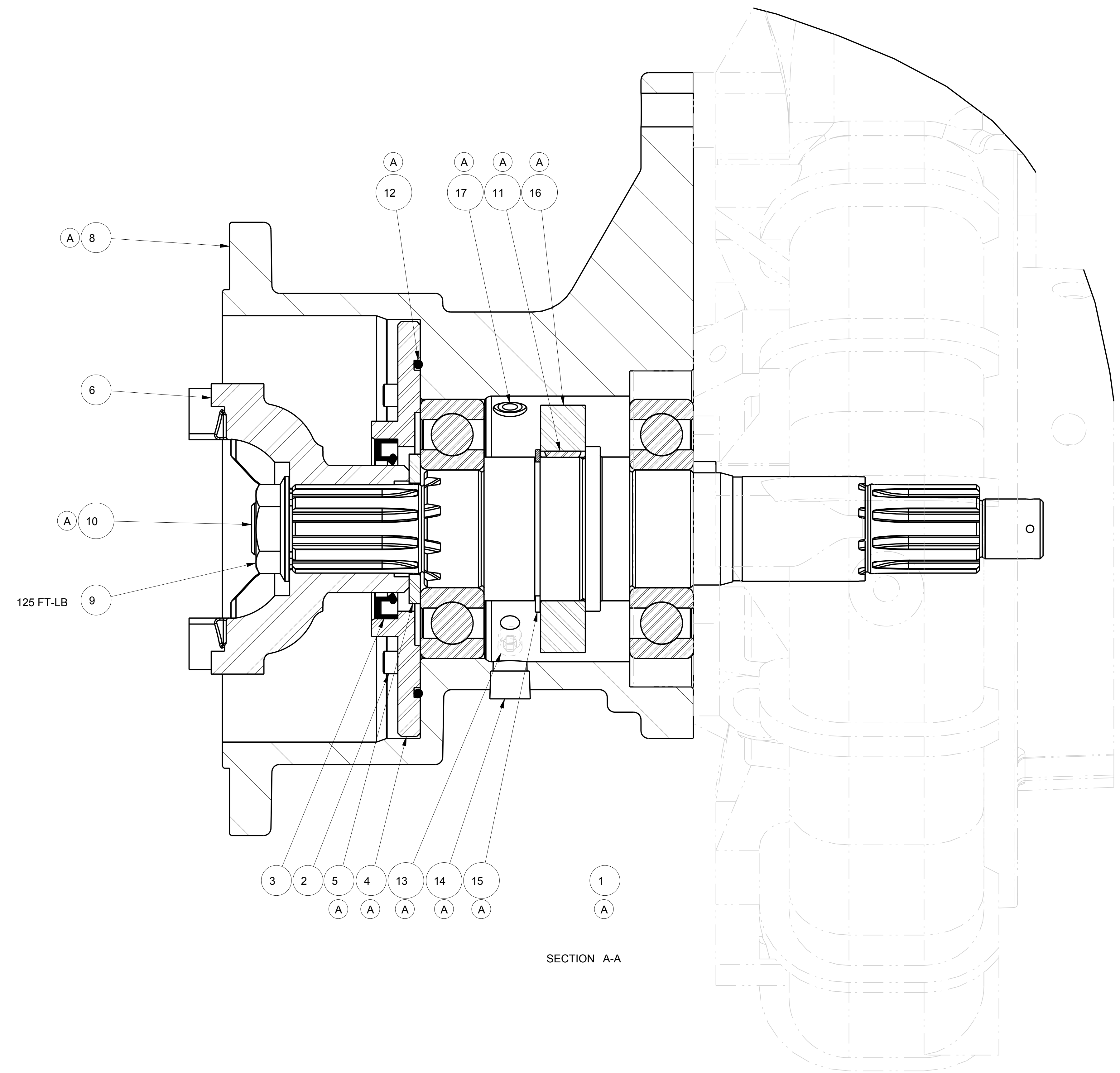


NO.	DESCRIPTION	PART NO.	QTY.
1	BEARING-BALL, 310SF	1722101	2
2	HHCS - FLANGED, .375-16 X 1.00	5402845	4
3	OIL SEAL - 2.125 ID X 3.000 OD	3600571	1
4	RING - RETAINER, BEARING	2305181	1
5	WASHER - BEARING BACKUP	3603932	1
6	YOKE - 1410, END, 1.50-10 SPL	4817605	1
8	HOUSING - PSDE	1805820	1
9	NUT - FLANGE, 7/8-14	4814501	1
10	SHAFT - PSD NO CLUTCH	5022803	1
11	KEY - WOODRUFF, 605 (#61)	3602201	1
12	O-RING - 5.38 x 5.62 x .12	3601244	1
13	PLUG - PIPE, 0.125, ZN SOC HD	1080537	1
14	PLUG - PIPE, 0.375, MAG SOC HD	1080510	1
15	RING - RETAINER, 5100-237	3600470	1
16	SLINGER - OIL, PSD, 2.402 ID	3206002	1
17	VENT - GEARCASE	4401800	1

REVISIONS				
LTR	DESCRIPTION	DATE	CHG NO.	APPRD
A	1722101 WAS 1722104 1805820 WAS 1805800 2305181 WAS 2305180 5022803 WAS 5022801 ADDED 3602201, 3601244, 1080537, 1080510, 3600470, AND 4401800	12/27/12	8742	RJG



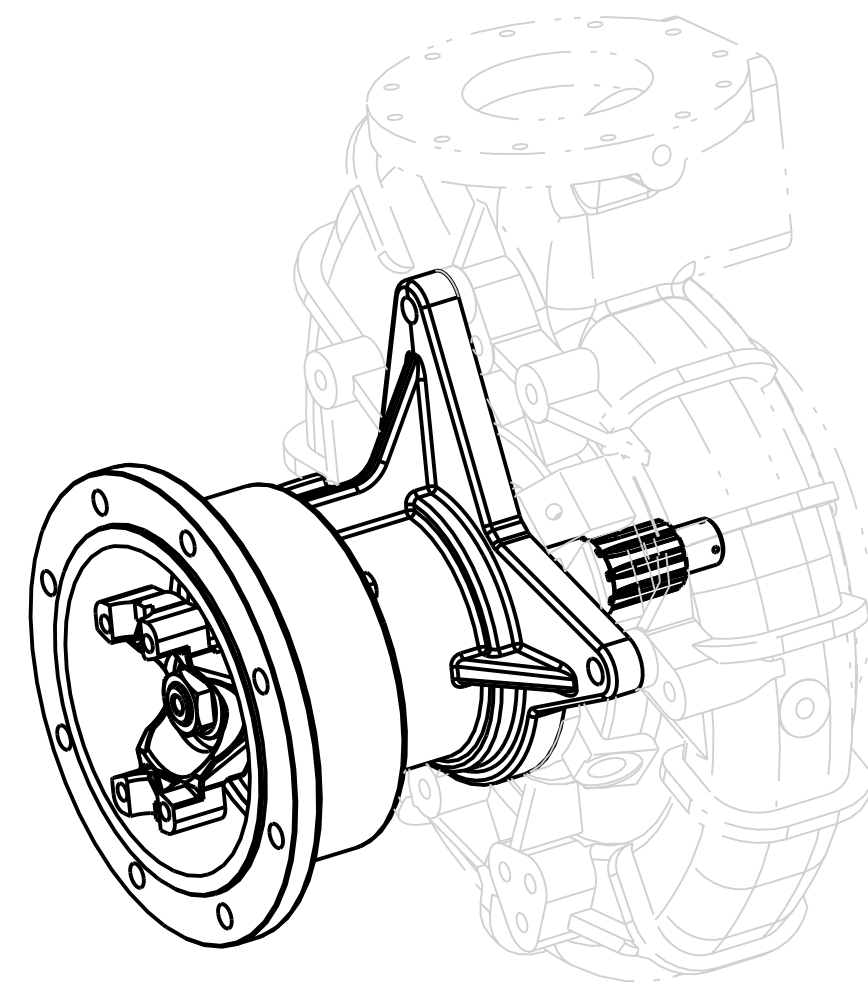
SECTION A-A

MODEL NAME: TF00601 MFL CREATED: 30-JUNE-2010 SHEET: 1/2 D

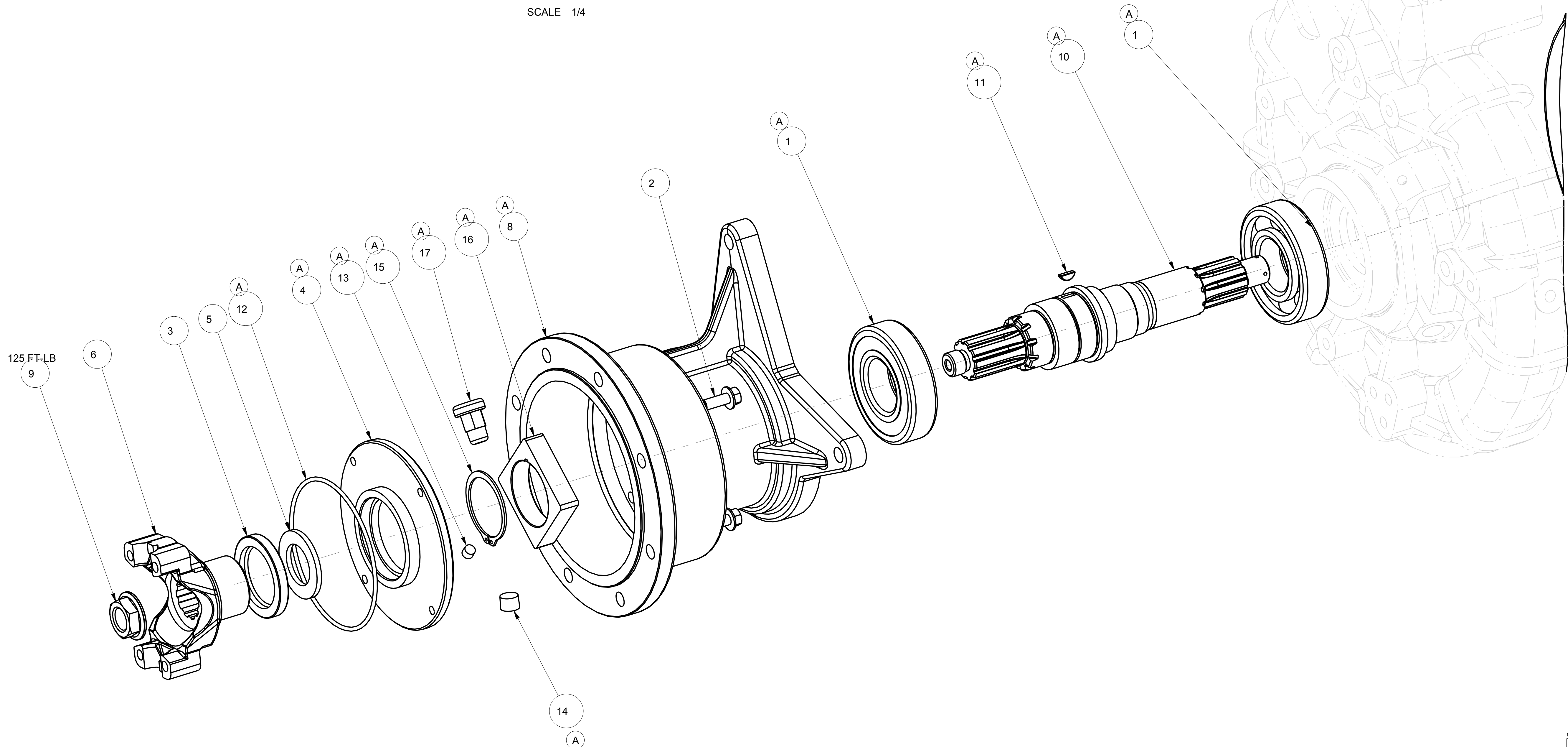
REMOVE SHARP EDGES	INCH (MILLIMETER)	OLD PART NO.	TOLERANCE EXCEPT AS NOTED	W.S. Darley & Co. ITASCA, IL - CHIPPEWA FALLS, WI
MATERIAL DESCRIPTION: SEE TABLE		MATERIAL NO.	00 ±.03 2000 ±.010 ANGLES ±1°	DWG-PSD/NO CLUTCH
THIS DESIGN IS THE PROPERTY OF W.S. DARLEY AND CO. - UNAUTHORIZED REPRODUCTION IS PROHIBITED	ALL DIMENSIONS IN INCHES UNLESS NOTED	DO NOT SCALE PRINT	DATE: 29-Jul-10	DPC1601
			SCALE: 1/1	

NO.	DESCRIPTION	PART NO.	QTY.
1	BEARING-BALL, 310SF	1722101	2
2	HHCS - FLANGED, .375-16 X 1.00	5402845	4
3	OIL SEAL - 2.125 ID X 3.000 OD	3600571	1
4	RING - RETAINER, BEARING	2305181	1
5	WASHER - BEARING BACKUP	3603932	1
6	YOKE - 1410, END, 1.50-10 SPL	4817605	1
8	HOUSING - PSDE	1805820	1
9	NUT - FLANGE, 7/8-14	4814501	1
10	SHAFT - PSD NO CLUTCH	5022803	1
11	KEY - WOODRUFF, 605 (#61)	3602201	1
12	O-RING - 5.38 x 5.62 x .12	3601244	1
13	PLUG - PIPE, 0.125, ZN SOC HD	1080537	1
14	PLUG - PIPE, 0.375, MAG SOC HD	1080510	1
15	RING - RETAINER, 5100-237	3600470	1
16	SLINGER - OIL, PSD, 2.402 ID	3206002	1
17	VENT - GEARCASE	4401800	1

REVISIONS				
LTR	DESCRIPTION	DATE	CHG NO.	APPRD
A	1722101 WAS 1722104 1805820 WAS 1805800 2305181 WAS 2305180 5022803 WAS 5022801 ADDED 3602201, 3601244, 1080537, 1080510, 3600470, AND 4401800	12/27/12	8742	RJG



SCALE 1/4



MODEL NAME: TF00601
MIL CREATED: 30-JUNE-2010
SHEET: 2/2
D

REMOVE SHARP EDGES	INCH (MILLIMETER)	OLD PART NO.	TOLERANCE EXCEPT AS NOTED	W.S. Darley & Co. ITASCA, IL - CHIPPEWA FALLS, WI
MATERIAL DESCRIPTION: SEE TABLE		MATERIAL NO.	00 ±.03 2000 ±.010 ANGLES ±.1°	DWG-PSD/NO CLUTCH
THIS DESIGN IS THE PROPERTY OF W.S. DARLEY AND CO. - UNAUTHORIZED REPRODUCTION IS PROHIBITED	ALL DIMENSIONS IN INCHES UNLESS NOTED	DO NOT SCALE PRINT	DATE: 29-Jul-10	DPC1601
			SCALE: 1/2	