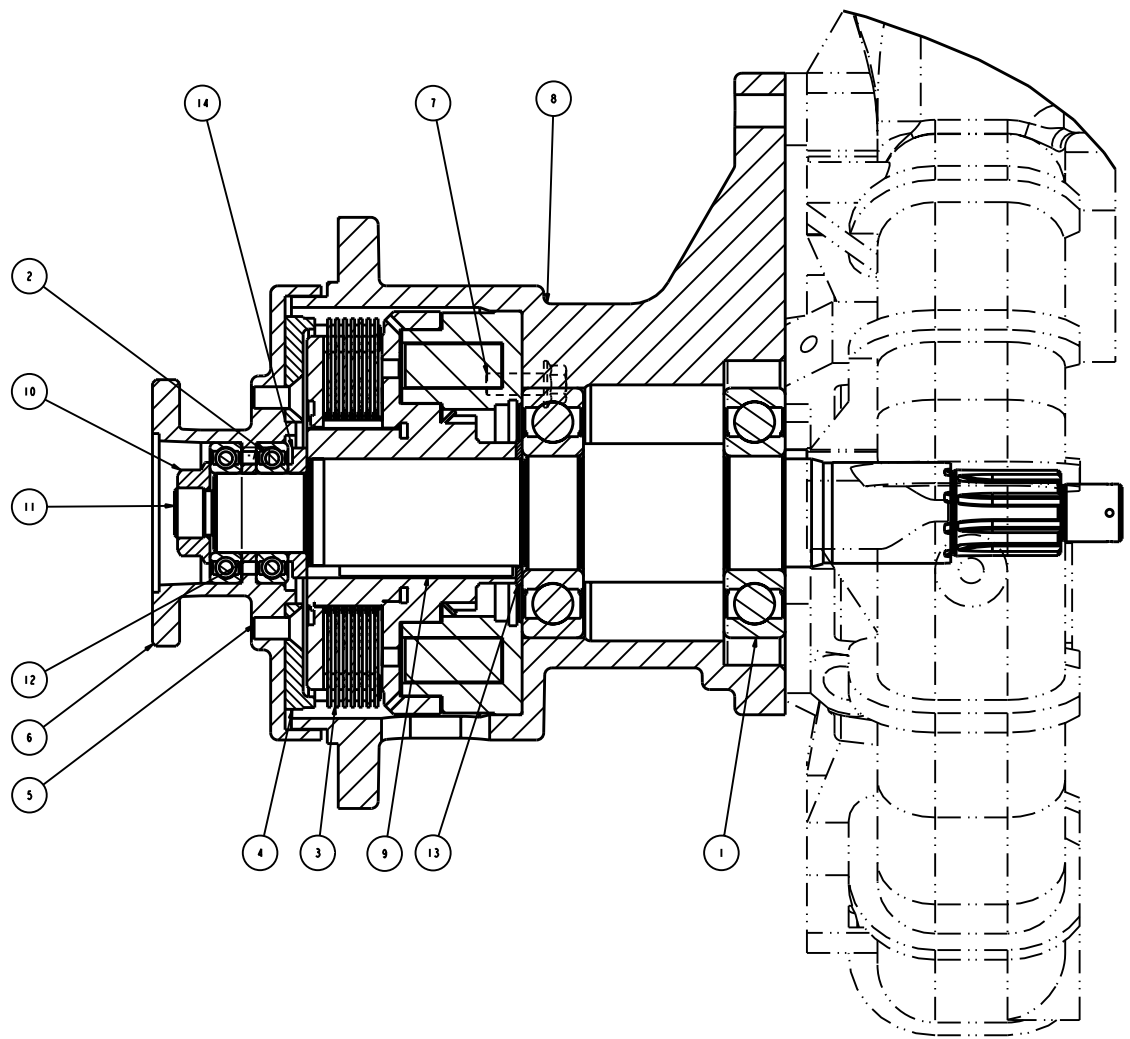


NAME:DWS OBJECT:DPC1600\_1 DATE:07-Jul-10 16:28:34

NO.	DESCRIPTION	PART NO.	QTY.
1	BEARING-BALL, 310S2Z	1722104	2
2	BEARING-BALL, 6007.2RSR	1724300	2
3	CLUTCH - 12VDC, PUC, R2	4226100	1
4	CUP - CLUTCH DRIVE	4225400	1
5	FMSCS - .375-16 X 0.88, GR8	5402847	4
6	FLANGE - PSD/CLUTCH	4820900	1
7	HMS - FLANGED, .375-16 X 1.00	5402845	4
8	HOUSING - PSD/CLUTCH	1805800	1
9	KEY - SQ., 0.38 X 3.00	3602407	1
10	NUT - FLANGE, 7/8-14	4814501	1
11	SHAFT - IMPELLER, PSD/CLUTCH	5022800	1
12	SPACER - 1.38 X 1.69 X 0.25	3301706	1
13	SPACER - 1.88 X 2.50 X .104	3308411	1
14	SPACER - PSD/CLUTCH	1865810	1

REVISIONS				
LTR	DESCRIPTION	DATE	CHG NO.	APP'D



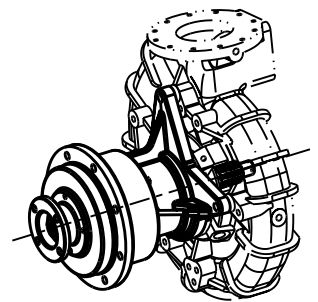
SECTION A-A

REMOVE SHARP EDGES		INCH (MILLIMETER)	OLD PART NO.	TOLERANCE (EXCEPT AS NOTED)	DATE 02-26-10	SHEET 122
MATERIAL DESCRIPTION:		MATERIAL NO.	PATTERN NO.	TRANS - PSD/CLUTCH	DATE 02-26-10	D
THIS DESIGN IS THE PROPERTY OF W.S. CARLEY & CO. REPRODUCTION IS PROHIBITED		ALL DIMENSIONS IN INCHES UNLESS NOTED		DO NOT SCALE PRINT		DPC1600

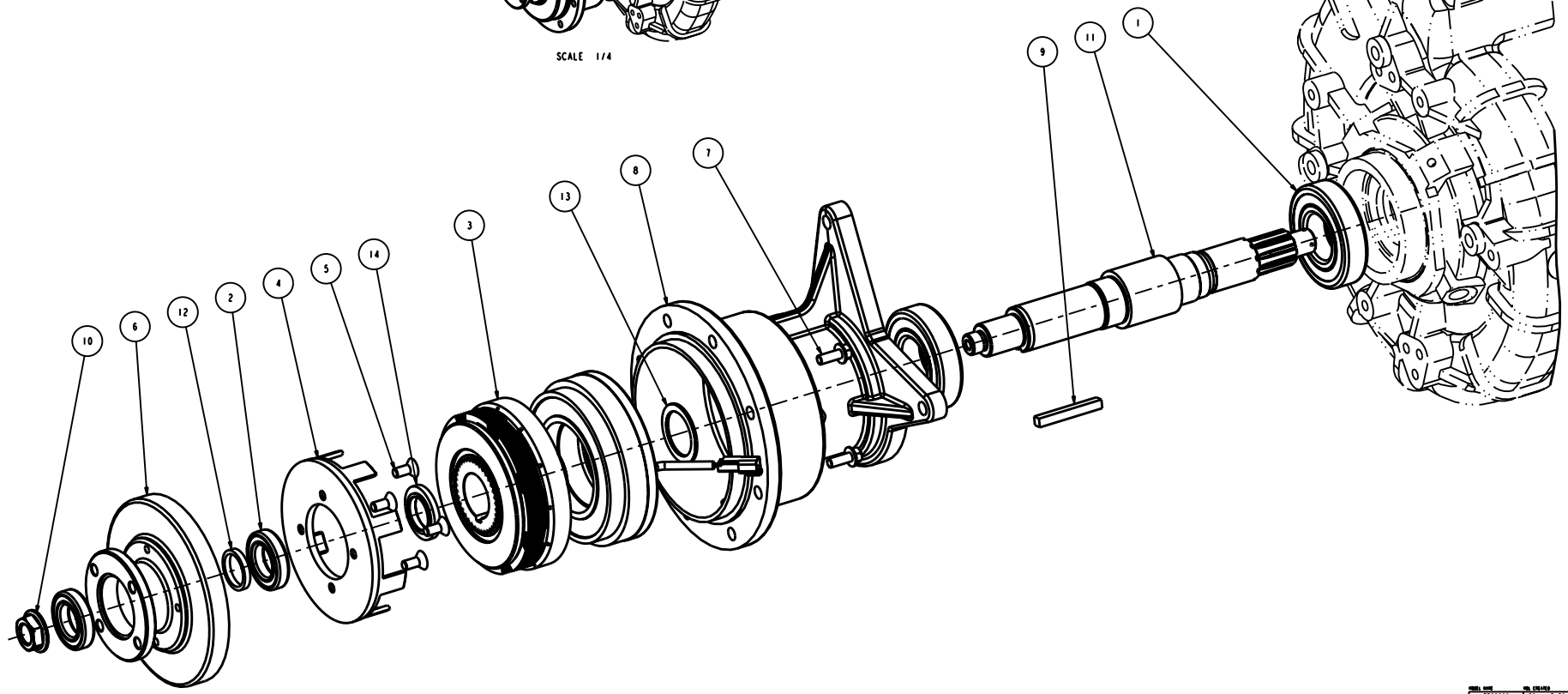
NAME:DWS OBJECT:DPC1600-2 DATE:07-Jul-10 16:28:39

NO.	DESCRIPTION	PART NO.	QTY.
1	BEARING-BALL, 310S2Z	1722104	2
2	BEARING-BALL, 600T.2R5R	1724300	2
3	CLUTCH - 12VDC, PUC, R2	4226100	1
4	CUP - CLUTCH DRIVE	4225400	1
5	FMSCS - .375-16 X 0.88, GR8	5402847	4
6	FLANGE - PSD/CLUTCH	4820900	1
7	HMSC - FLANGED, .375-16 X 1.00	5402845	4
8	HOUSING - PSD/CLUTCH	1805800	1
9	KEY - SO., 0.38 X 3.00	3602407	1
10	NUT - FLANGE, 7/8-14	4814501	1
11	SHAFT - IMPELLER, PSD/CLUTCH	5022800	1
12	SPACER - 1.38 X 1.69 X 0.25	3301706	1
13	SPACER - 1.88 X 2.50 X .104	3308411	1
14	SPACER - PSD/CLUTCH	1865810	1

REVISIONS			
LTR	DESCRIPTION	DATE	CHG NO. APPR'D



SCALE 1/4



REMOVE SHARP EDGES		INCH (MILLIMETER)	OLD PART NO.	DATE	SCALE
TOLERANCE		± .005	1708500	30-JUNE-2010	1/22
MATERIAL DESCRIPTION:		TRANS - PSD/CLUTCH	DPC1600		
MATERIAL NO.		PATTERN NO.	DATE 02-26-10		
DO NOT SCALE PRINT		SCALE 1/22			