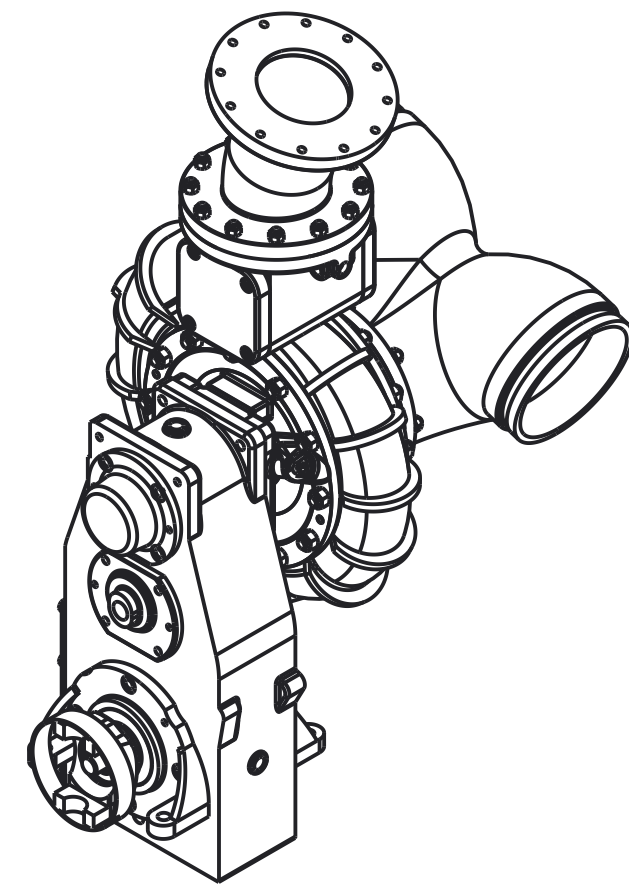
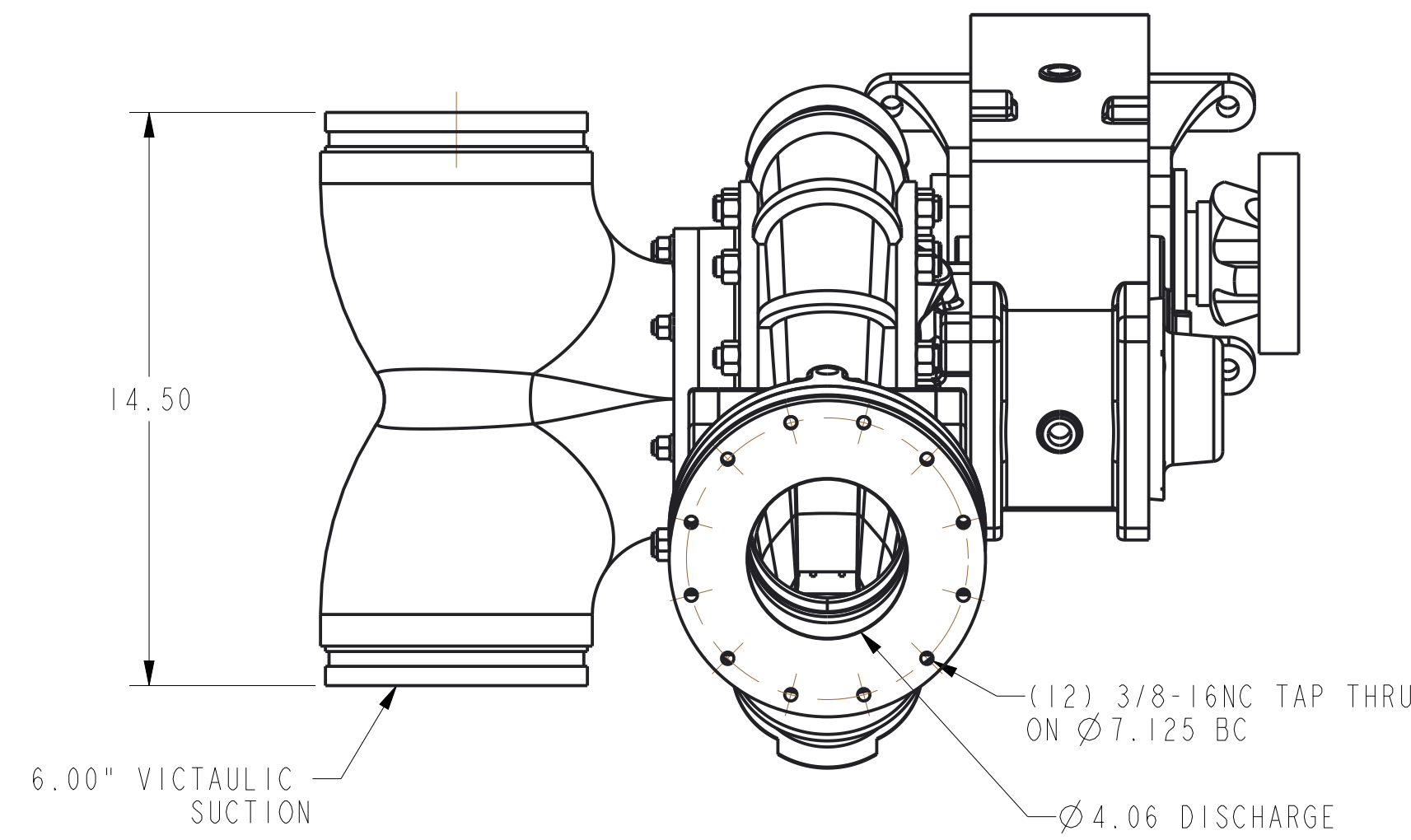


REVISIONS				
LTR	DESCRIPTION	DATE	CHG NO.	APPR'D

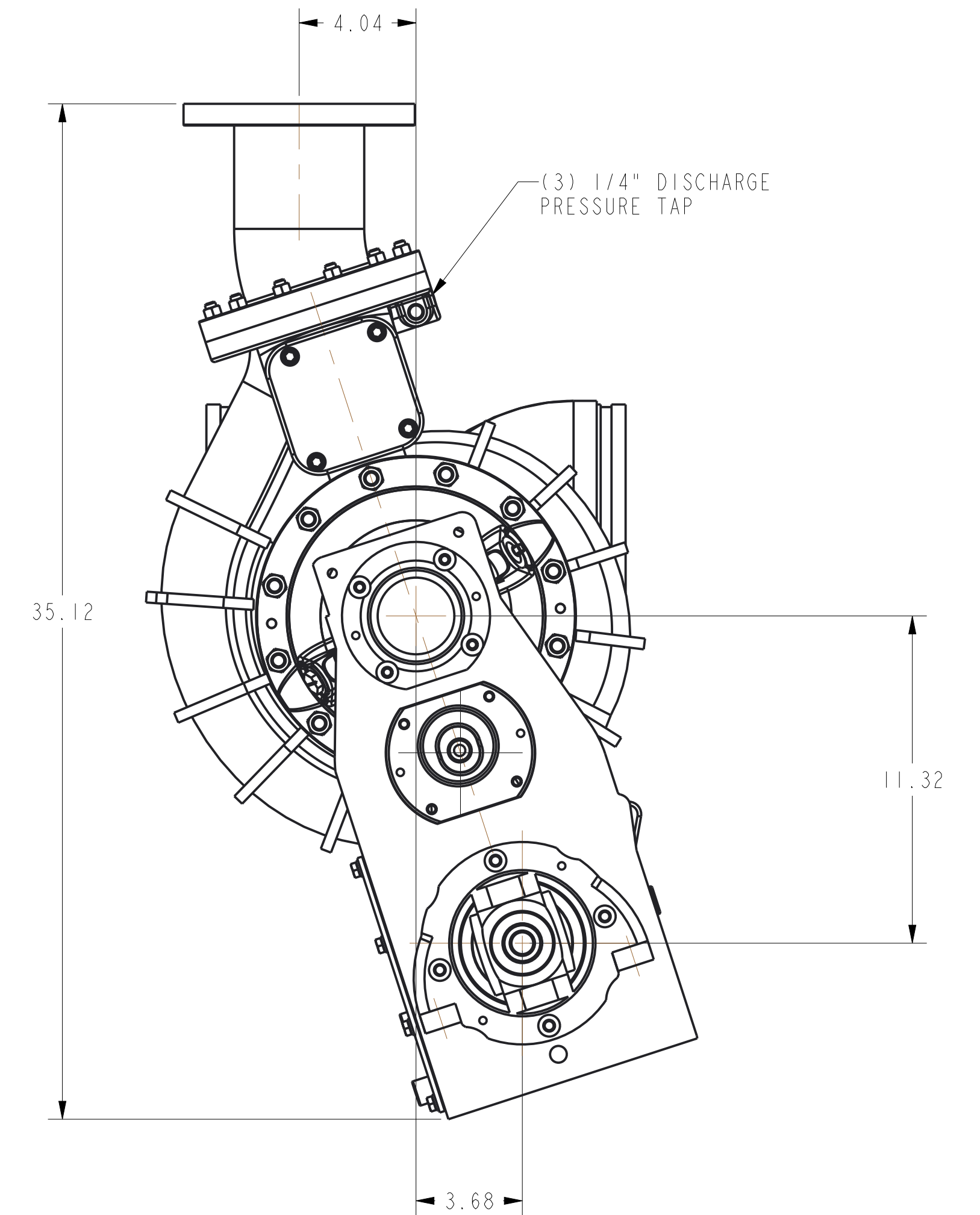
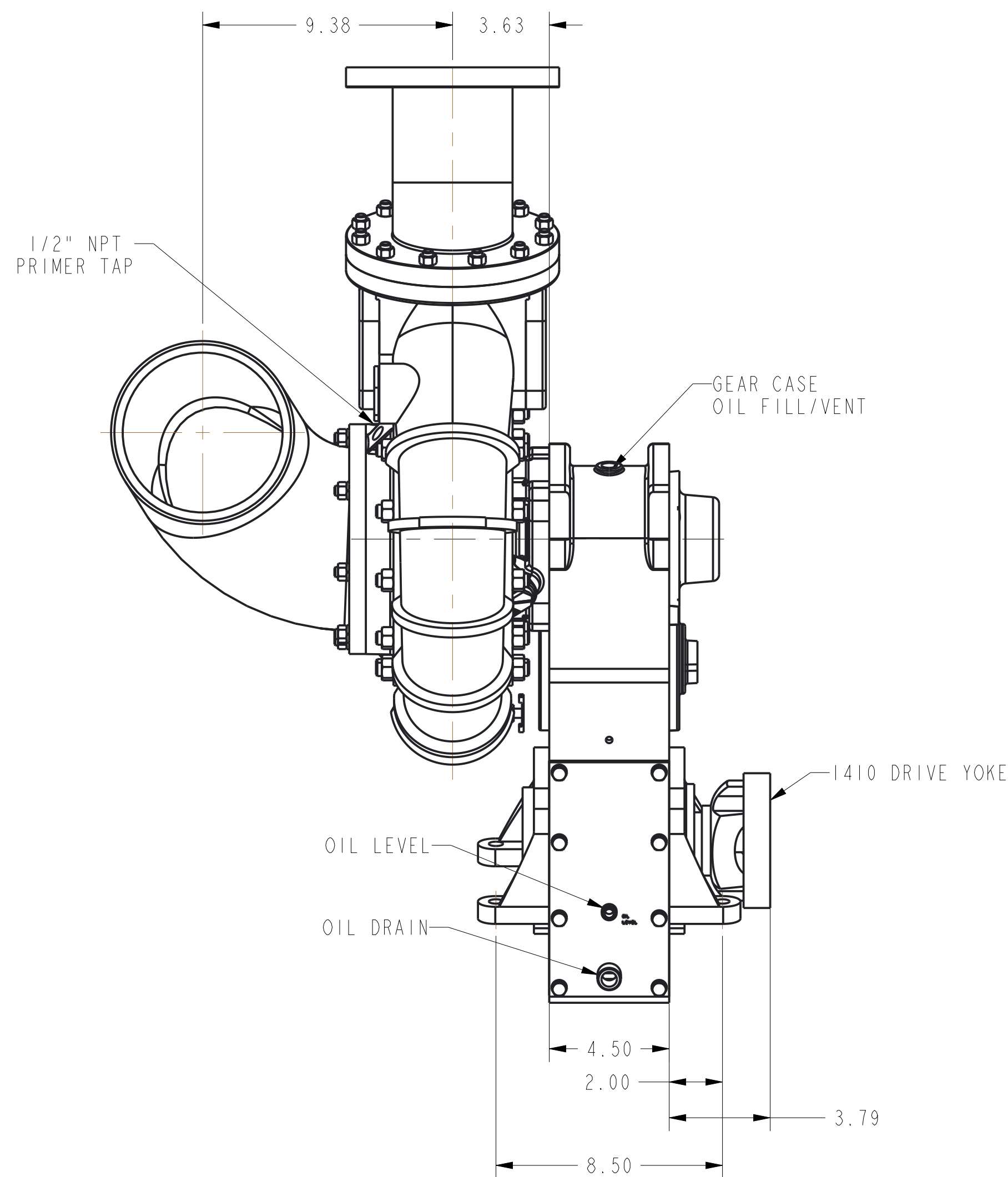
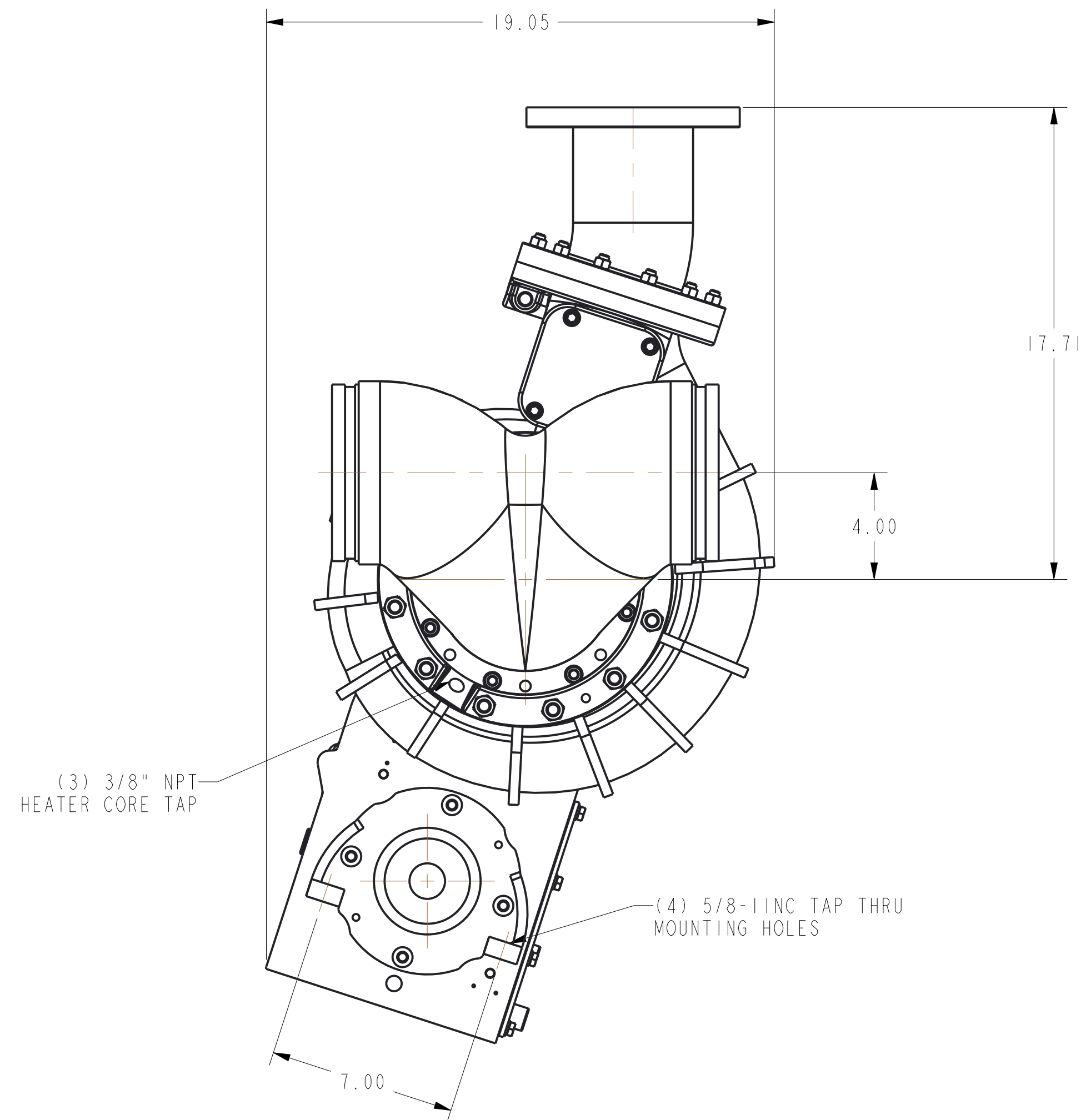


SCALE 1/8



ASSEMBLIES:

TRANS: TP01102
 GEAR CASE: 1804305
 TRANS COVER: AM01351
 PUMP: PL00204
 IMPELLER: 2906903
 DISCHARGE: YE08000
 SUCTION: KC02503
 YOKE: 4817604
 RV COVER: KC01600



REMOVE SHARP EDGES

INCH (MILLIMETER)



OLD PART NO. TOLERANCE EXCEPT AS NOTED
 .00 ± .03
 .000 ± .010
 ANGLES ±1°

MATERIAL DESCRIPTION: THIS DESIGN IS THE PROPERTY OF W.S. DARLEY AND CO. UNAUTHORIZED REPRODUCTION IS PROHIBITED.

MATERIAL NO. PATTERN NO. DR'N SMS CHWD TRCD

DATE 22-Dec-15 SCALE 1/4

MODEL NAME: DLD0726
 MDL CREATED: 22DEC2015
 SHEET: 1/1

W.S. Darley & Co.
 ITASCA, IL - CHIPPEWA FALLS, WI

DWG - LSP 3 GEAR, 18 DEG REAR DRIVER SIDE MOUNT

DLD0726