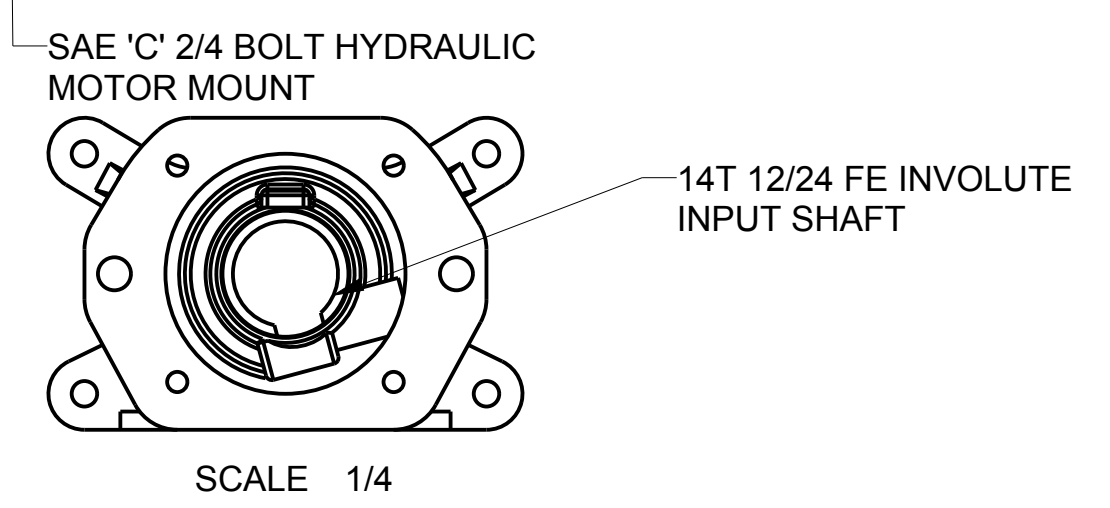
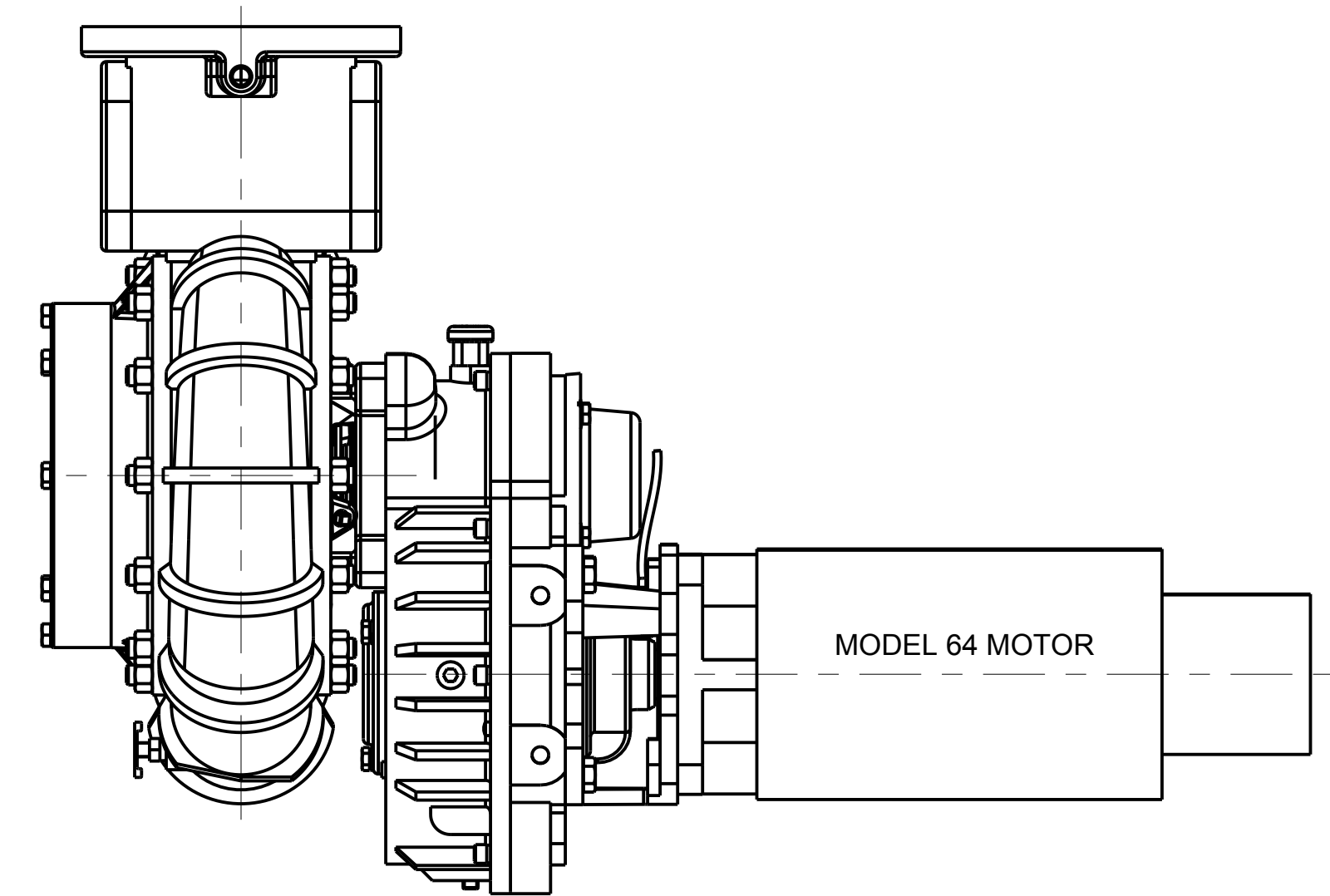
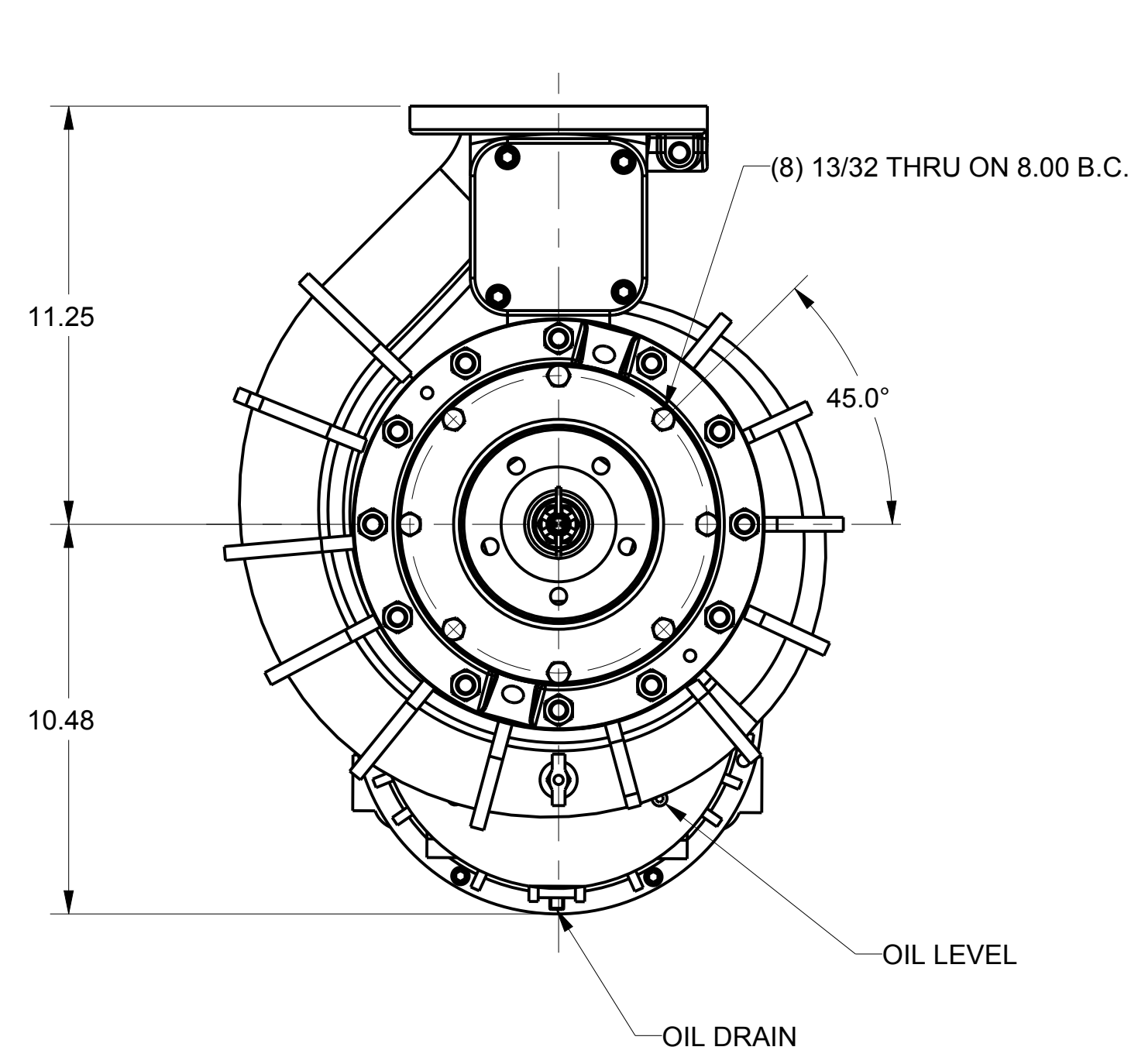
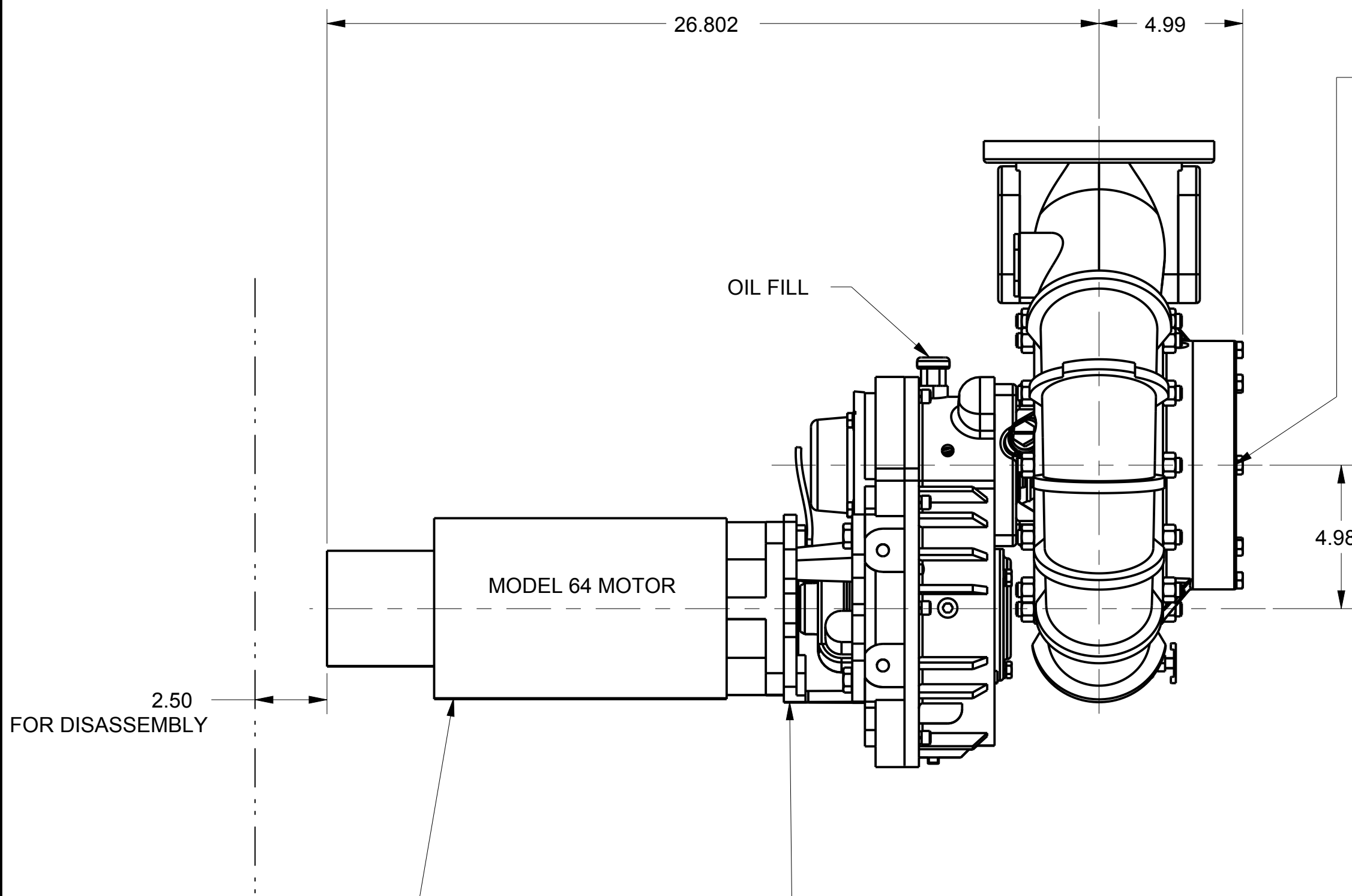
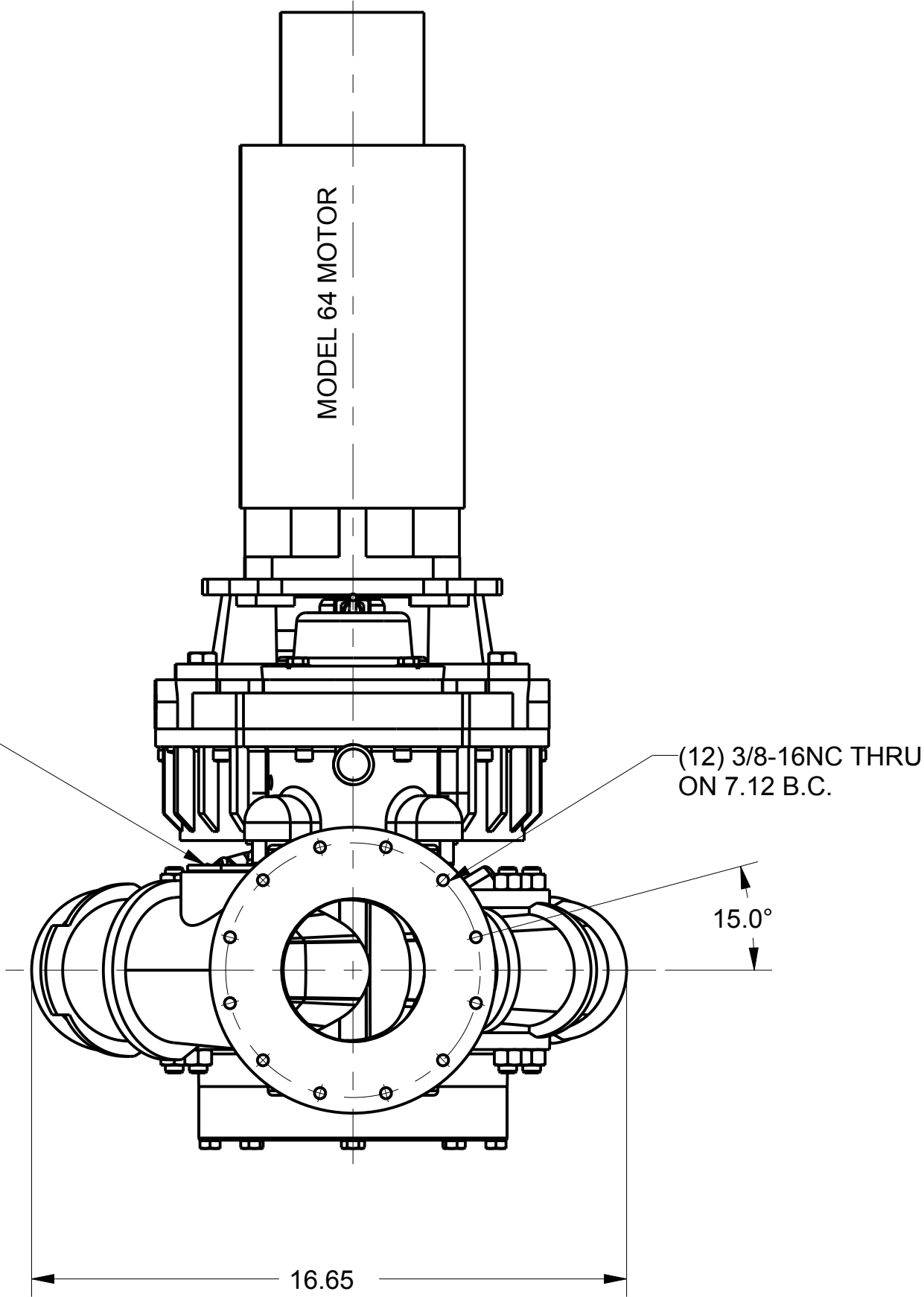


REVISIONS				
LTR	DESCRIPTION	DATE	CHG NO.	APPRD



HYDRAULIC MOTOR PROVIDED BY CUSTOMER OR DARLEY

REMOVE SHARP EDGES		INCH (MILLIMETER)	OLD PART NO.	TOLERANCE EXCEPT AS NOTED	W.S. Darley & Co. ITASCA, IL - CHIPPEWA FALLS, WI
MATERIAL DESCRIPTION:	MATERIAL NO.	PATTERN NO.	00 ±.03 2000 ±.010 ANGLES ±.1°	DWG - LSH LH VOLUTE, 5" NPT, BARE DISCH FLNG	DATE 19-Jun-13
THIS DESIGN IS THE PROPERTY OF W.S. DARLEY AND CO. - UNAUTHORIZED REPRODUCTION IS PROHIBITED		ALL DIMENSIONS IN INCHES UNLESS NOTED	DO NOT SCALE PRINT	DRN CWY CHKD RJG TRCD	SCALE 1/4

MODEL NAME: DLD0717  
 MDL CREATED: 06/19/13  
 SHEET: 1/1 D

DLD0717