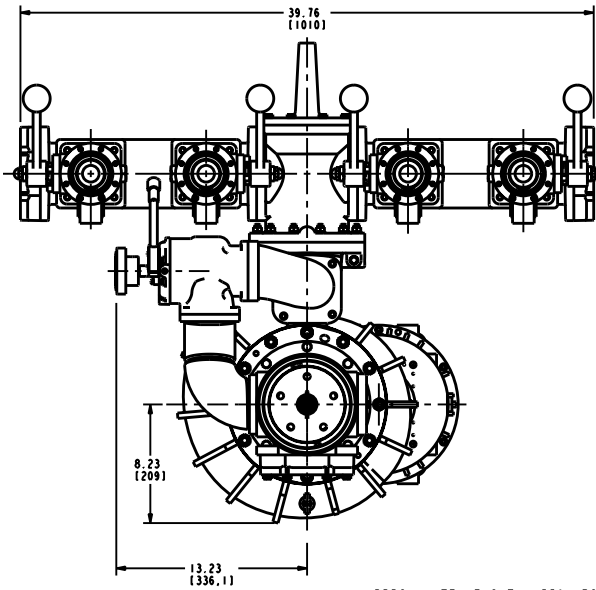
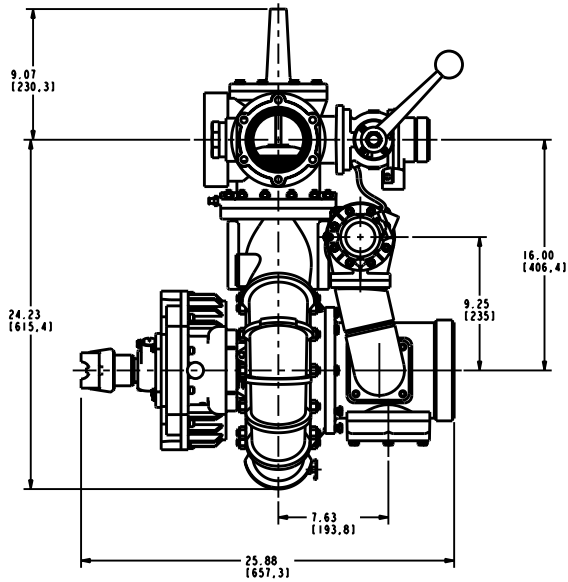
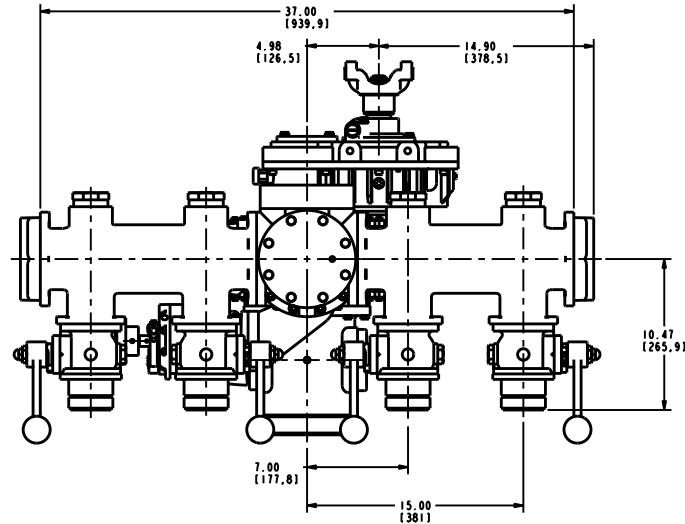


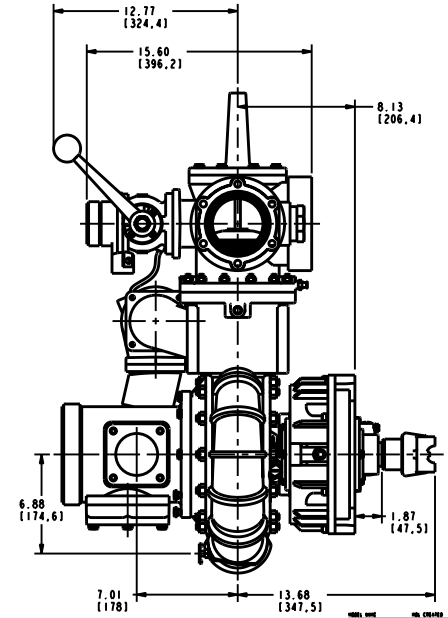
NAME:RG OBJECT:DLD0715 DATE:10-Apr-08 10:38:17

NO.	DESCRIPTION	PART NO.	QTY.
1		3106600	1
2	3" BASIC RELIEF VALVE	VR00300	1
3	ADAPTER - RELIEF VALVE STEM	1642100	1
4	ASST - LEVER, MIDSHIP, 6.50"	YM00102	4
5	BUSHING - PIPE, 2.00 x 1.00, GV	1080635	4
6	COVER - FLANGE, BLANK, O-RING	1920600	1
7	COVER - RELIEF VALVE	5282300	1
8	DWG - LS PUMP, LH ROT MECH SEAL	DLC0504	1
9	ELBOW - RELIEF VALVE, LDM	3101300	1
10	EXTENSION - DISCH, PS, LS	3102501	2
11	FLANGE - 4 NPT, O-RING	1920107	1
12	FLANGE - 4 NPT, O-RING	1923304	2
13	HANDWHEEL	3001800	1
14	HEAD ASST - LS/PS	HL00203	1
15	RIT - LSF 6 NH SUCT & GASRET	KC01800	1
16	HIPPLE - BALL VALVE, 2.50 NHH	2100406	4
17	VALVE - BALL, BASIC ASST	VB00100	4
18		DLC1600	1

REVISIONS			
LTB	DESCRIPTION	DATE	CHG NO. APPR



APPROXIMATE WEIGHT = 550 LBS



REMOVE SHARP EDGES	1 INCH (25.4 MILLIMETER)	OLD PART NO.	TOLERANCE	DATE 08-Apr-08	SCALE 1:1
INTENTIONAL DESCRIPTION:		PATTERN NO.	AS SHOWN	DATE 08-Apr-08	SCALE 1:1
THIS DRAWING IS THE PROPERTY OF W.S. DUNLAP AND CO. UNAUTHORIZED REPRODUCTION IS PROHIBITED.	ALL DIMENSIONS IN INCHES UNLESS NOTED	DO NOT SCALE PRINT	DO NOT SCALE PRINT	SCALE 1:1	SCALE 1:1
			<b>W.S. Dunlap &amp; Co.</b> PLANK, L. CALDWELL, PRES. BY DWG - LSF 2 GEAR, HOHLE, INPUT RIGHT, PUMP REAR <b>DLD0715</b>		