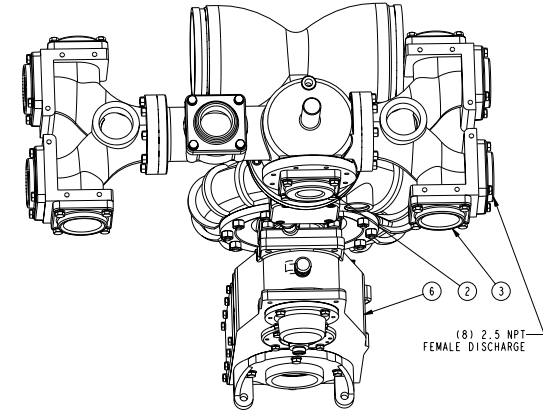
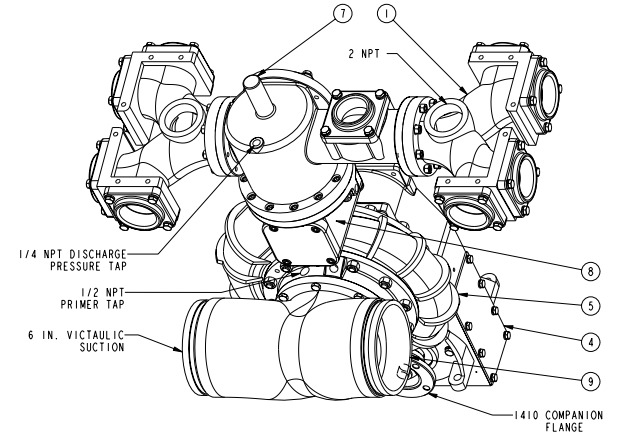
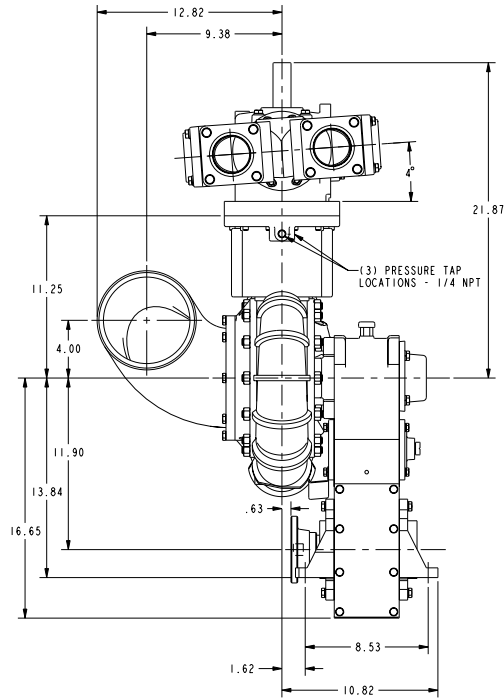
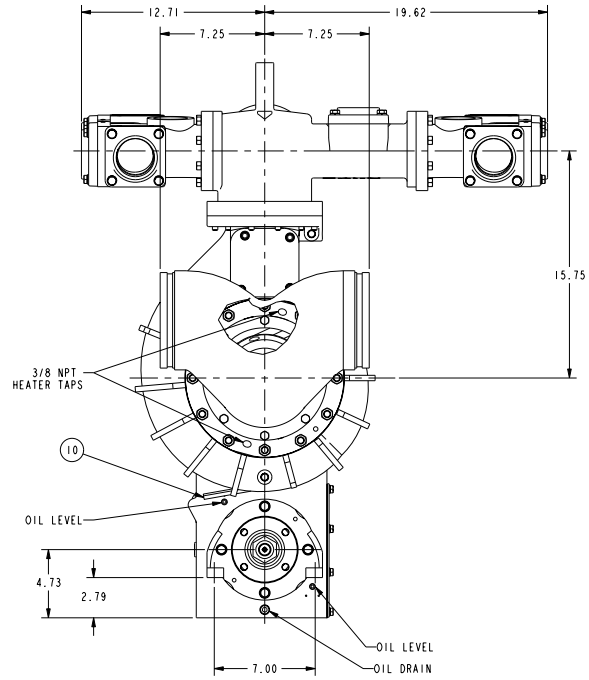


NAME:HAL OBJECT:DLD0603 DATE:26-Jul-05 09:36:36

NO.	DESCRIPTION	PART NO.	QTY
1	ASSY - DISCHARGE WYE	-	2
2	ASSY - FLANGE, 1.5 NPT, CI	-	1
3	ASSY - FLANGE, 2.5 NPT, CI	-	8
4	COVER - GEARCASE	-	1
5	PUMP - LS, MECH SEAL	-	1
6	TRANSMISSION - LSP, 3 GEAR	-	1
7	HEAD ASSY - LS, OFFSET PASS	-	1
8	KIT - LDM, LS, RV FLANGE BLIND	-	2
9	KIT - LS 6" SWEEP TEE	-	1
10	SHIELD - WATER, LS, SST	-	1



REVISIONS			
LTR	DESCRIPTION	DATE	CHG NO. APPR'D

REMOVE SHARP EDGES	1 INCH (25.4 MILLIMETER)	OLD PART NO.	TOLERANCE SHOWN AS NOTED	W.S. Darley & Co. SULLYVILLE, PA. U.S. PATENT PENDING
MATERIAL DESCRIPTION	MATERIAL NO.	PATTERN NO.	DATE 19-Sep-00	SCALE 1/1
THIS DESIGN IS THE PROPERTY OF W.S. DARLEY AND CO. UNAUTHORIZED REPRODUCTION IS PROHIBITED		ALL DIMENSIONS IN INCHES UNLESS NOTED		DO NOT SCALE PRINT
INCORPORATED 2/20/00		SCALE 1/1		DLD0603