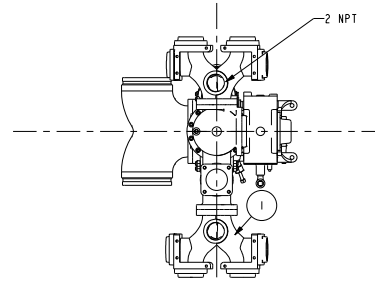
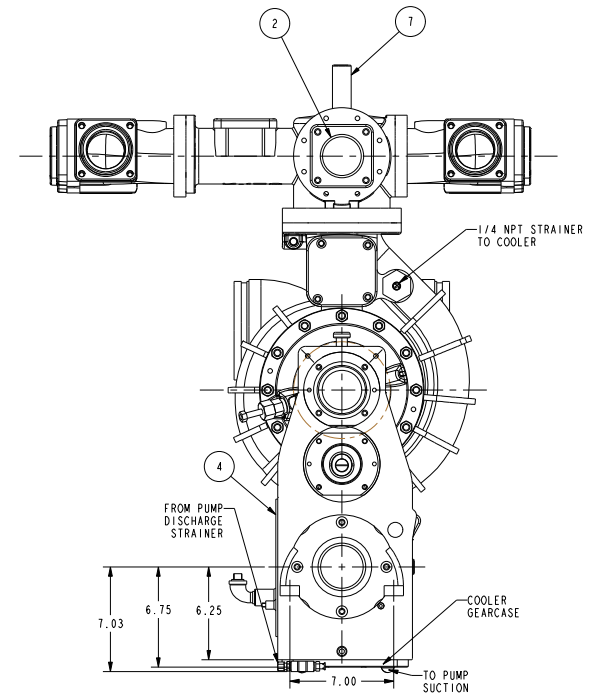
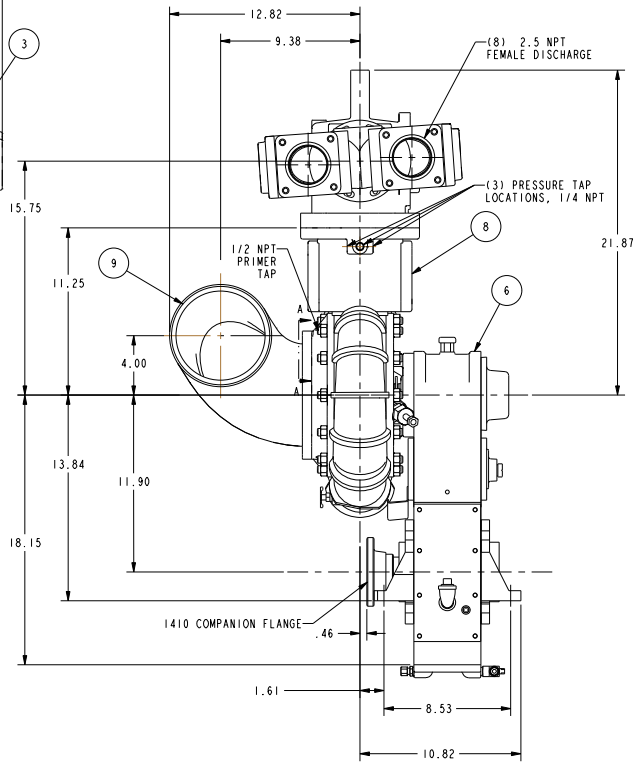
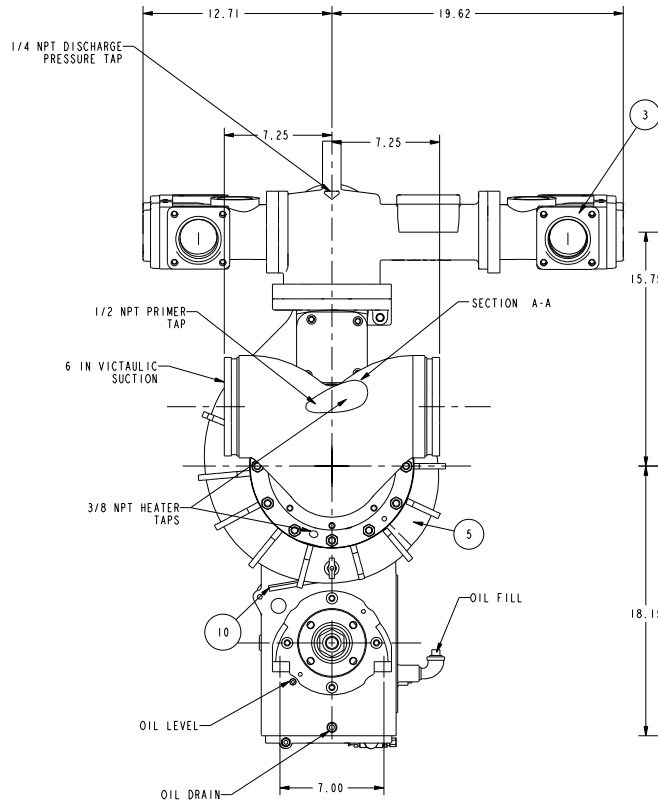


NO.	DESCRIPTION	PART NO.	QTY.
1	ASSY - DIS. WYE - DISCHARGE, S. 81#	YE03530	2
2	ASSY - FLANGE COVER, BLANK C1	YF00601	2
3	ASSY - FLANGE, 2.5 NPT, CD1	YF00403	8
4	COVER - GEARCASE, KDMH/KSPA#	2503401	1
5	DWG - LS PUMP, LH ROT	DLC0500	1
6	DWG - LSP PUMP TRANSMISSION	DLC1200	1
7	HEAD ASSY - LS, OFFSET PASS	HL00200	1
8	KIT - LDM, LS, RV FLANGE BLIND	KC01600	2
9	KIT - LS 6" SWEEP TEE	KC02500	1
10	SHIELD - WATER, LS, SST	3203306	1

REVISIONS			
LT#	DESCRIPTION	DATE	CHG. NO. APPR.



SCALE 1/8



REMOVE SHARP EDGES	INCH (MILLIMETERS)	OLD PART NO.	TOLERANCE EXCEPT AS NOTED	DATE 11-May-90
MATERIAL DESCRIPTION:	MATERIAL NO.	PATTERN NO.	DRG - LSP, PUMP FORM 3GR DIMENSIONAL, 34005	SCALE 1/4
THIS DESIGN IS THE PROPERTY OF W.S. DARLEY AND CO. UNAUTHORIZED REPRODUCTION IS PROHIBITED.	ALL DIMENSIONS IN INCHES UNLESS NOTED	DO NOT SCALE PRINT	ENCL. TCD	DRG - LSP, PUMP FORM 3GR DIMENSIONAL, 34005

DLD0602