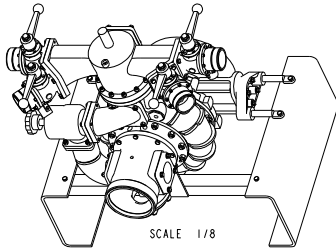
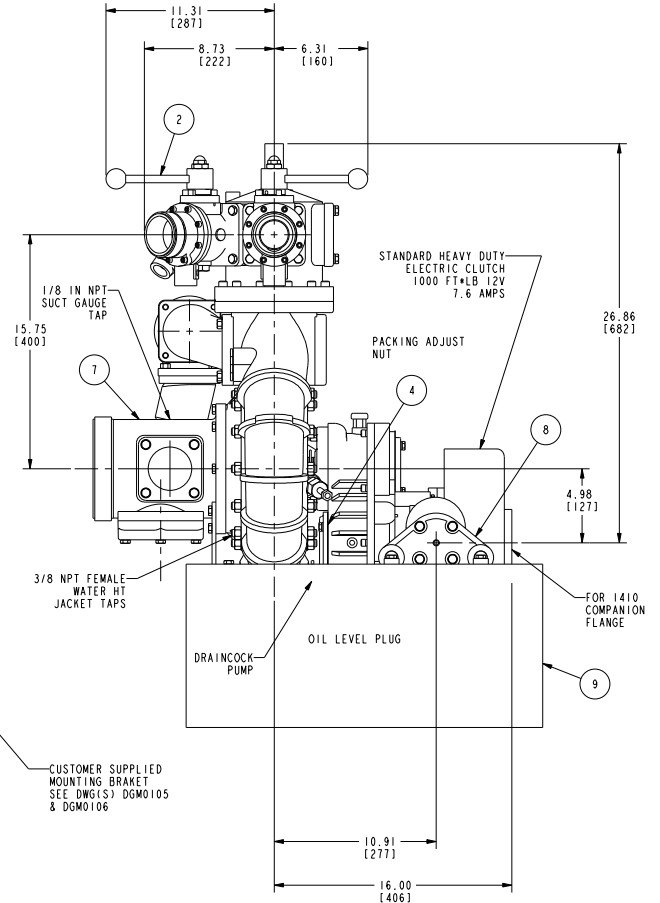
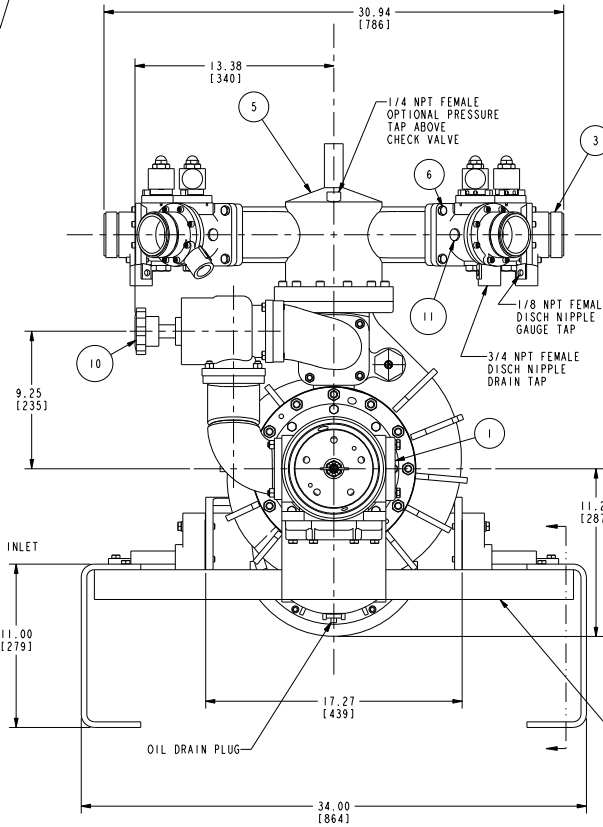
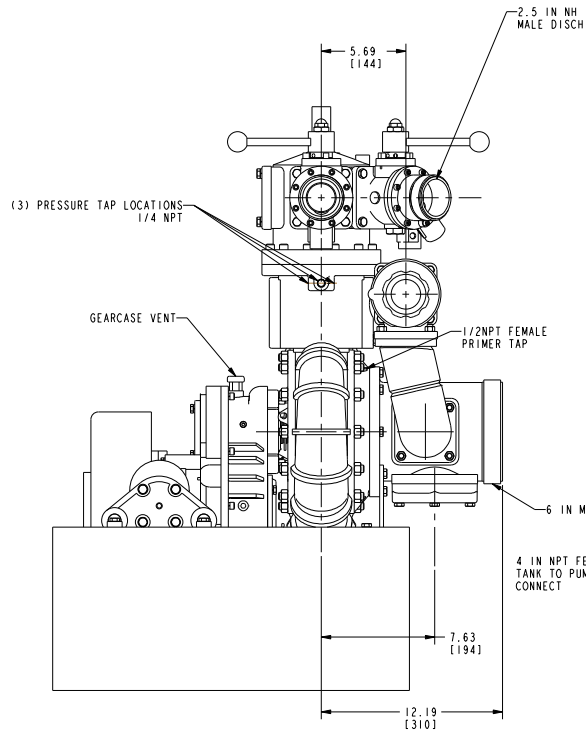


NO.	DESCRIPTION	PART NO.	QTY.
1	ASSY - FLANGE COVER, BLANK CI	YF00601	2
2	ASSY - LEVER, FRONT MOUNT	YM00101	4
3	ASSY - NIPPLE, FT MT HOSE THD	YM00215	4
4	DWG - LSF PUMP	DLC0700	1
5	HEAD ASSY - PSF DISCHARGE	HP00102	1
6	HHCS - .375-16 x 1.00, GR5	5400036	16
7	KIT - LSF 6 NH SUCT & GASKET	KC01800	1
8	KIT - MOUNTING, LSF	KM00305	1
9	TYPICAL CHASSIS FRAME RAIL	STD.FRAME.RAIL	1
10	VALVE - 3 in R.V. LSF REMOTE	VR00800	1
11	VALVE - BALL, BASIC ASSY	VB00100	4

REVISIONS			
LT#	DESCRIPTION	DATE	CHG. NO. (APPR)



SCALE 1/8



NOTE:
DISCHARGE VALVES HANDLES ARE SHOWN IN THE CLOSED VALVE POSITION

REMOVE SHARP EDGES	1 INCH (25.4 MILLIMETERS)	OLD PART NO.	TOLERANCE EXCEPT AS NOTED	DATE 05-FEB-99
MATERIAL DESCRIPTION: ...	MATERIAL NO. ...	PATTERN NO. ...	DRW - LSF PUMP DIMENSIONAL	SCALE 1/4
THIS DESIGN IS THE PROPERTY OF W.S. DARLEY AND CO. UNAUTHORIZED REPRODUCTION IS PROHIBITED		ALL DIMENSIONS IN INCHES UNLESS NOTED		DO NOT SCALE PRINT

MODEL NAME: BLD0400 SHEET: 1/1

W.S. Darley & Co. CHIFFERS FALLS, N.J. - BELLEVILLE, PA. - ILL.

DWG - LSF PUMP DIMENSIONAL

DATE 05-FEB-99

SCALE 1/4

DL0400