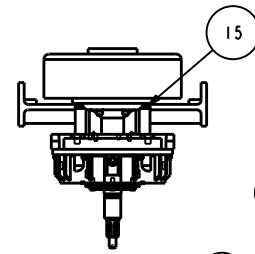
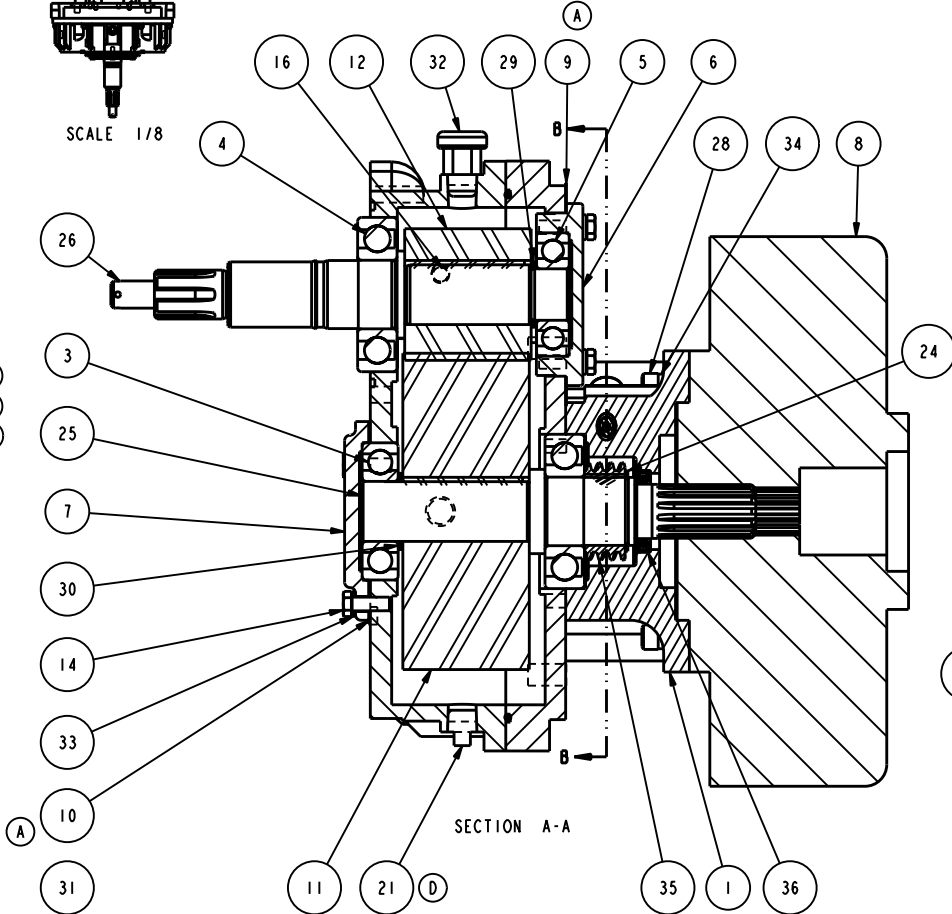


NO.	DESCRIPTION	PART NO.	QTY.
1	ADAPTER - CLUTCH, KSF	1641501	1
2	BEARING - OILITE, 0.314 ID	1760025	1
3	BEARING-BALL, 307S	1721902	1
4	BEARING-BALL, 308SF	1722001	2
5	BEARING-BALL, 6306.C3	1721805	1
6	CAP - BEARING, K 2.28:1	2301501	1
7	CAP - BEARING, KS	2302300	1
8	CLUTCH - ELECTRIC, 1000 FT-LB, 12V	4212000	1
9	GASKET - BEARING CAP, K	3813200	1
10	GASKET - TACH CASE, K/PS/RF	3812200	1
11	GEAR - DRIVE, KSP, 82T, 12DP	2704001	1
12	GEAR - PINION, KSP, 33T, 12DP	2703804	1
13	GEAR - TACHOMETER, 6T, 12DP	2705600	1
14	HHCS - .313-18 x 0.88, GR5	5400019	7
15	HHCS - .313-18 x 2.75, GR5	5400025	4
16	KEY - SQ., 0.19 x 2.75	3602408	2
17	KEY - WOODRUFF, 605 (#61)	3602201	1
18	PIN - DRIVE LOK, 0.094 x 0.500	3605101	1
19	PLUG - PIPE, 0.125, ZN SOC HD	1080537	4
20	PLUG - PIPE, 0.375, ZN SOC HD	1080541	2
21	PLUG - PIPE, 0.375, MAG SQ HD	1080536	1
22	PLUG - TACH SHAFT, 0.75 LG	1141400	1
23	PLUG - TACH, .750-20, ALUM	1142100	1
24	RING - RETAINER, 5108-156	3600407	1
25	SHAFT - DRIVE, KSF/W/KSF	5007600	1
26	SHAFT - IMPELLER, LS	5019300	1
27	SHAFT - TACH, PSF	5010500	1
28	SHCS - .375-16 x 1.25, GR8	5401024	8
29	SPACER - 1.19 x 1.50 x 0.13	3302200	1
30	SPACER - 1.38 x 1.75 x 0.10	3302000	1
31	TRANS - GEARCASE ONLY, LS	TG00403	1
32	VENT - GEARCASE	4401800	1
33	WASHER - LOCK, 0.313 ID	3603502	11
34	WASHER - LOCK, HC, 0.375 ID	3603512	8
35	WORM - TACHOMETR, TF, 4T	2709301	1
36	OIL SEAL - 1.250 ID X 1.878 OD	3600551	1

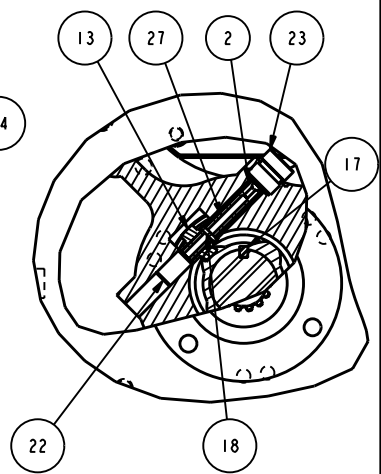


SCALE 1/8

(B)  
(C)  
(D)

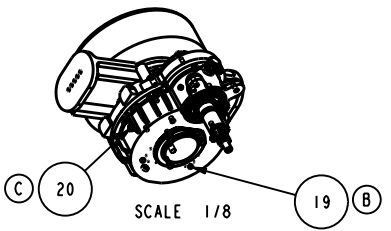


SECTION A-A



SECTION B-B

NOTE:  
 ITEMS NOT IN TF00400 BOM  
 ITEMS: 14, 15, 28, 33 & 34 ARE IN KF01500  
 ITEM: 8 IS A VARIABLE  
 ITEMS: 11 & 12 ARE IN GEAR RATIO KIT



SCALE 1/8

REVISIONS				
LTR	DESCRIPTION	DATE	CHG NO.	APPR'D
A	ADDED GASKETS	17JAN2003	-	JSS
B	PLUG WAS SST	19OCT2007	2007-381	SMS
C	PLUG WAS BLACK IRON	19OCT2007	2007-381	SMS
D	PLUG WAS NOT ZINC PLATED	19OCT2007	2007-381	SMS

REMOVE SHARP EDGES

INCH (MILLIMETER)

OLD PART NO.

TOLERANCE EXCEPT AS NOTED

W.S. Darley & Co. CHIPPERRA FALLS, WI - MELROSE PARK, IL

MATERIAL DESCRIPTION: ---

MATERIAL NO. ---

PATTERN NO. ---

DR'N WSW

DATE 31-Dec-98

DLC0800

THIS DESIGN IS THE PROPERTY OF W.S. DARLEY AND CO. UNAUTHORIZED REPRODUCTION IS PROHIBITED

DO NOT SCALE PRINT

SCALE 1/2

TRCD JSS011703

SCALE 1/2