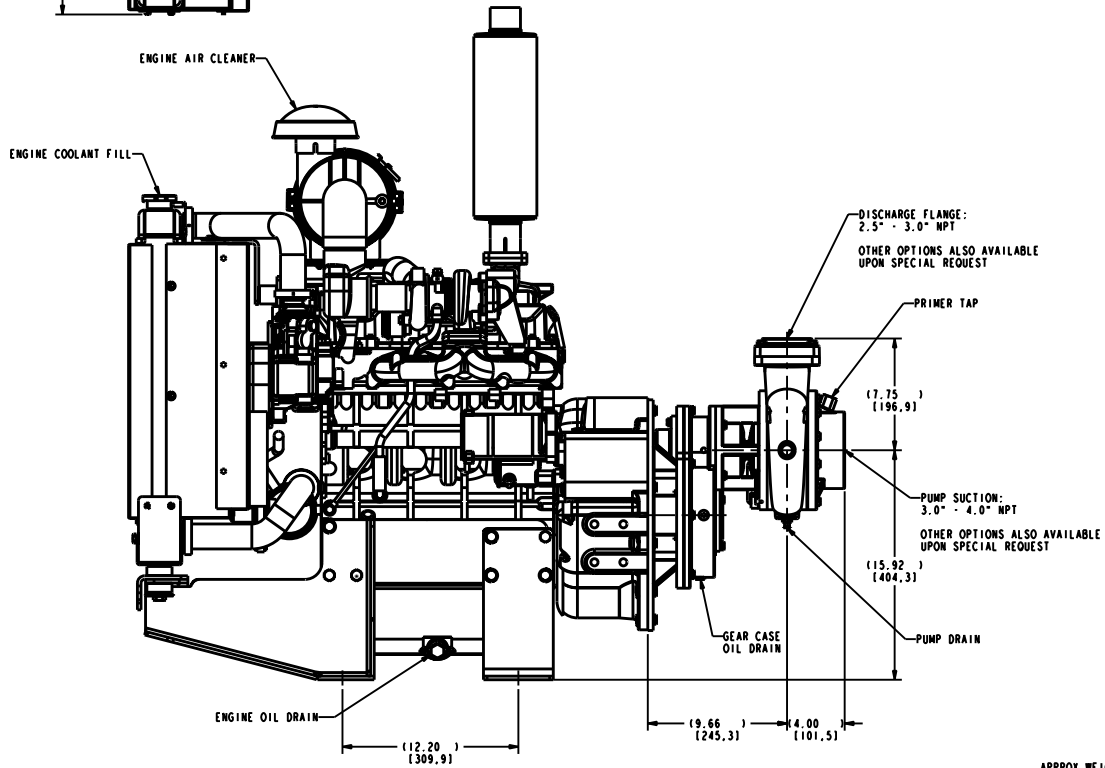
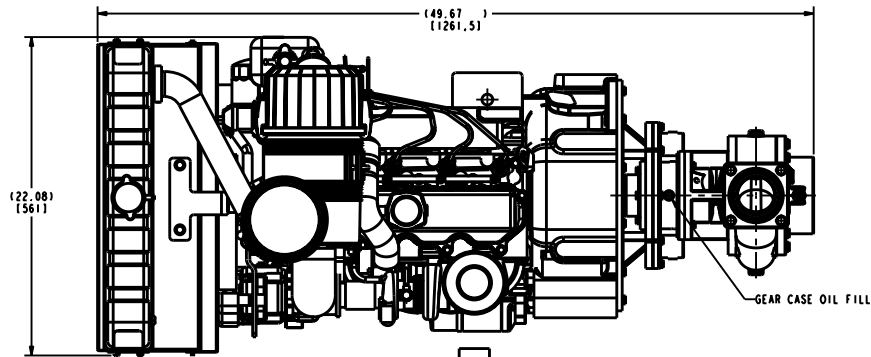
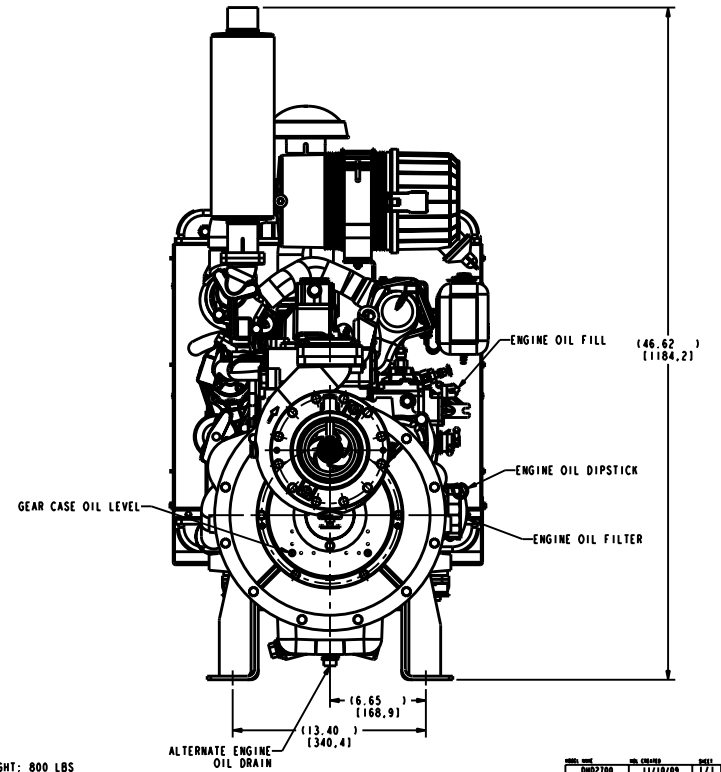


NAME: AAN OBJECT: DHD2700 DATE: 18-Nov-09 14:15:22



APPROX WEIGHT: 800 LBS
363 KG



REVISIONS			
LTB	DESCRIPTION	DATE	ENG NO. APPR

REMOVE SHARP EDGES		1 INCH (25.4 MILLIMETER)	OLD PART NO.	TOLERANCE AS SHOWN	DATE 11-Nov-09	SCALE 1/2"
MATERIAL DESCRIPTION:		MATERIAL NO.	PATTERN NO.	QTY	DATE 11-Nov-09	SCALE 1/2"
THIS DRAWING IS THE PROPERTY OF U.S. DURY & CO. UNAUTHORIZED REPRODUCTION IS PROHIBITED		ALL DIMENSIONS IN INCHES UNLESS NOTED		DO NOT SCALE PRINT		SCALE 1/2"
DHD2700		DHD2700		11/18/09		1/2" 0
U.S. Dury & Co. PLANS, L. CALIFORNIA, ILL. IN.		DHD - HSE250, V2403 SUBOTA		DIMENSIONAL		DHD2700