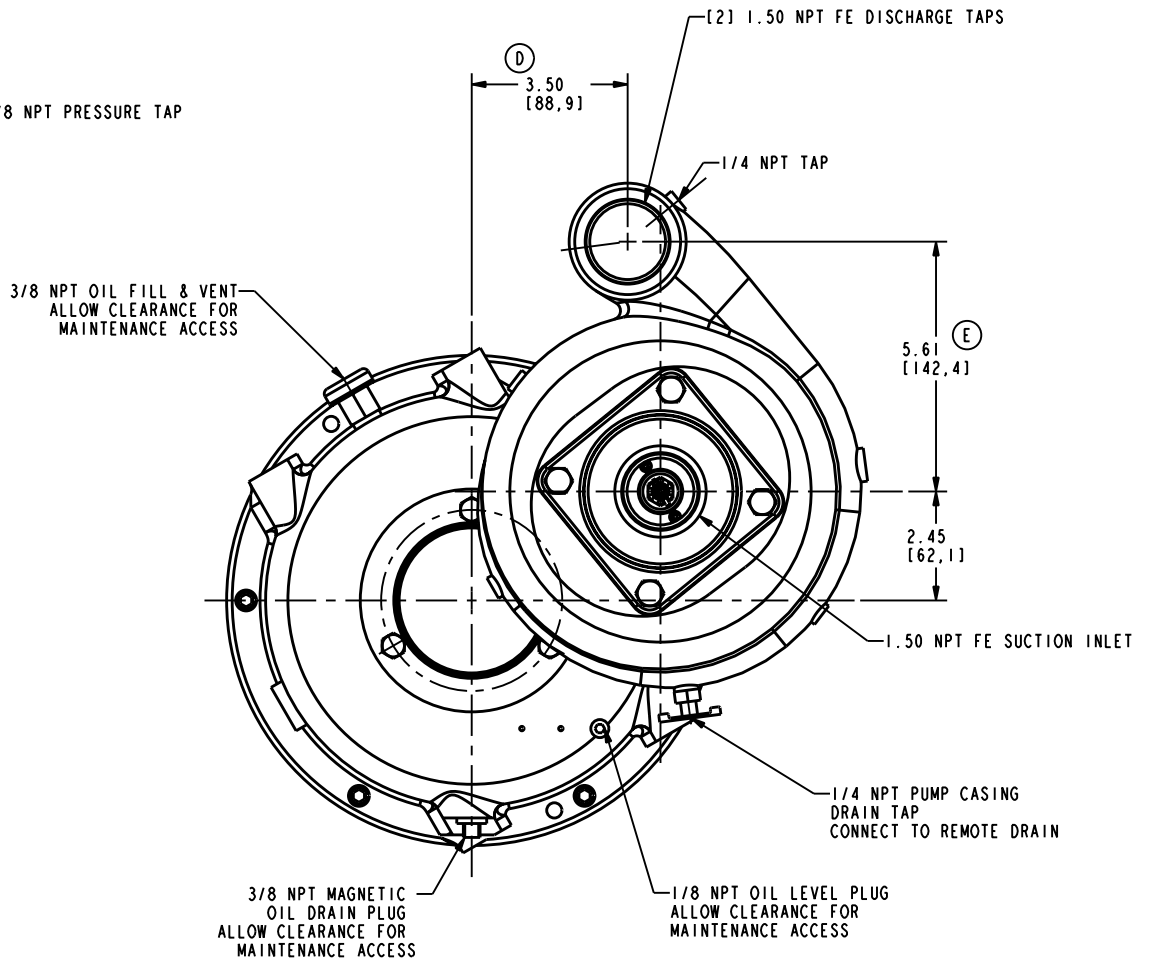
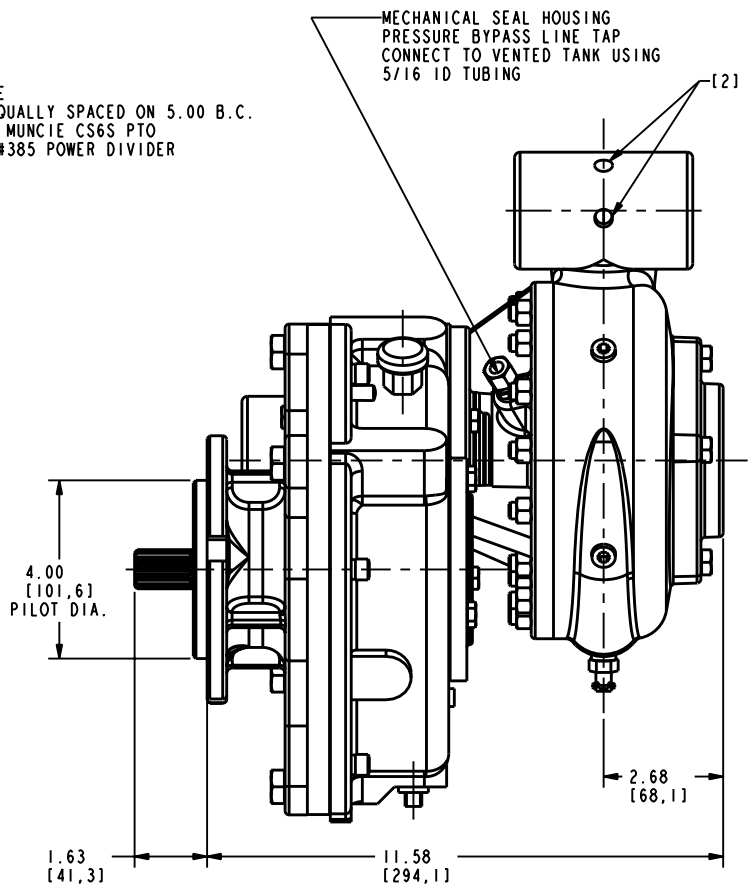
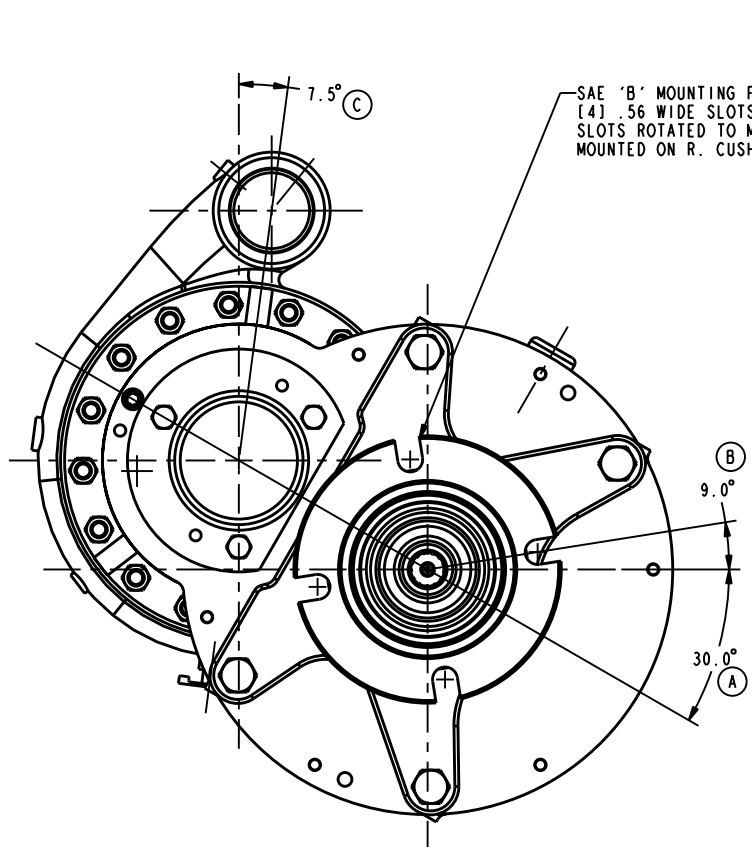
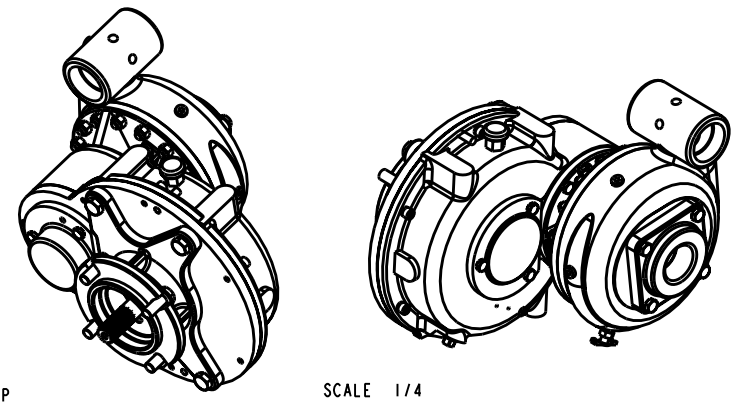
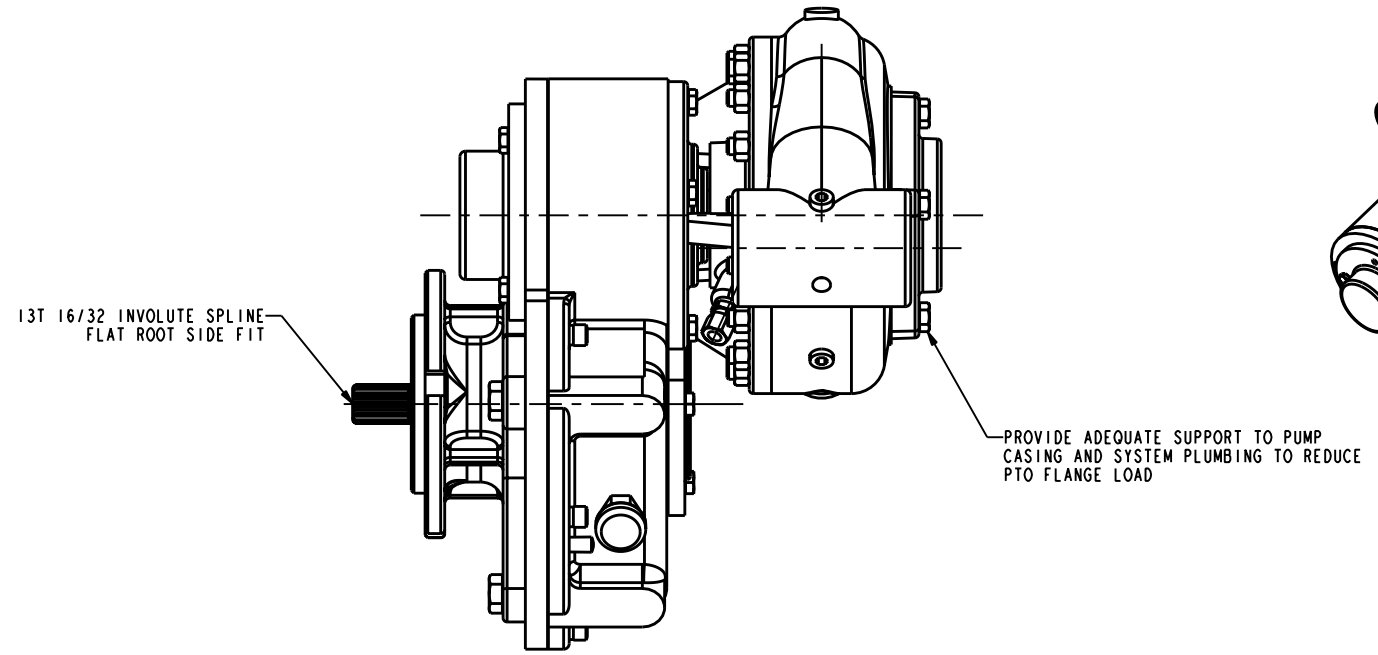


REVISIONS				
LTR	DESCRIPTION	DATE	CHG NO.	APPR'D
A	WAS 0 DEGREE (HORIZONTAL)	20MAR02	2002-52	DWS
B	WAS 39 DEGREE			
C	WAS 16.3°			
D	WAS 2.65	22MAY02	2002-88	DWS
E	WAS 5.43			



APPROXIMATE WEIGHT: 135LBS [61.2 Kg] (BRASS CASING)

REMOVE SHARP EDGES	INCH [MILLIMETER]	OLD PART NO.	TOLERANCE EXCEPT AS NOTED	W.S. Darley & Co. CHIPPERRA FALLS, WI - MELROSE PARK, IL
MATERIAL DESCRIPTION:	MATERIAL NO.	PATTERN NO.	DR: DWS DATE 06-Aug-01	LAYOUT - H100 MECH SEAL
THIS DESIGN IS THE PROPERTY OF W.S. DARLEY AND CO. UNAUTHORIZED REPRODUCTION IS PROHIBITED	ALL DIMENSIONS IN INCHES UNLESS NOTED	DO NOT SCALE PRINT	CHKD TED TRCD	SCALE 1/2 DHD1300