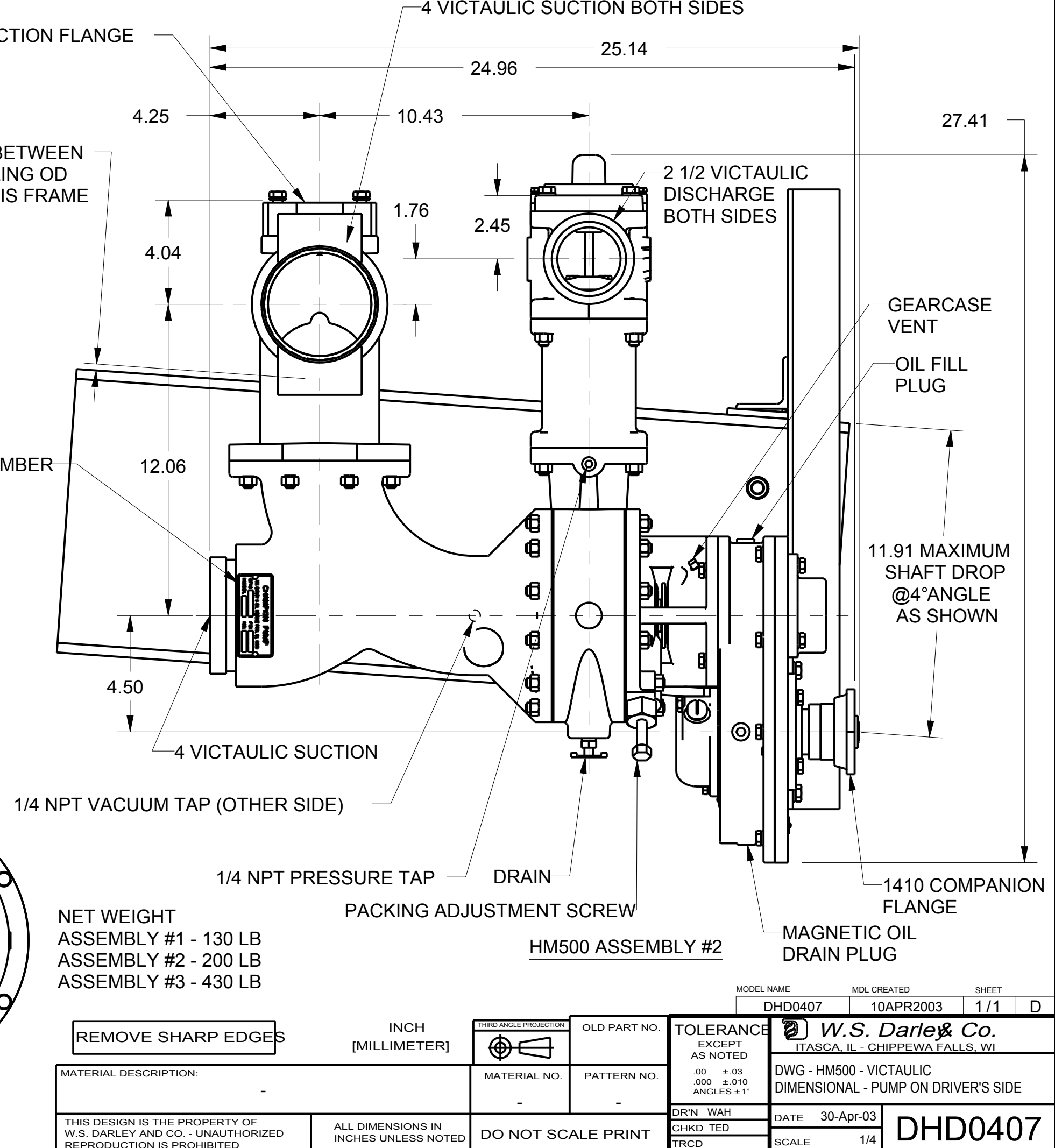
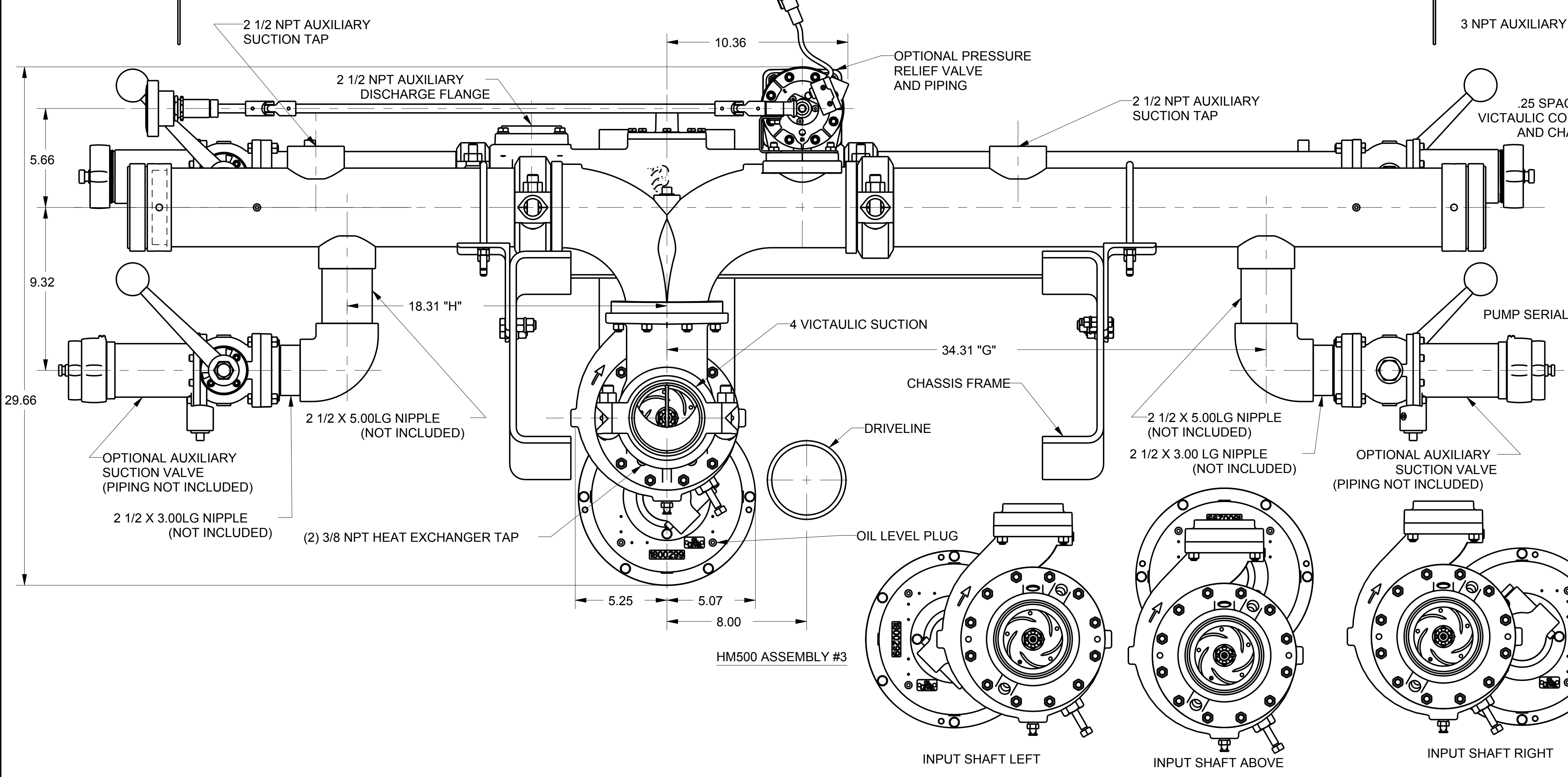
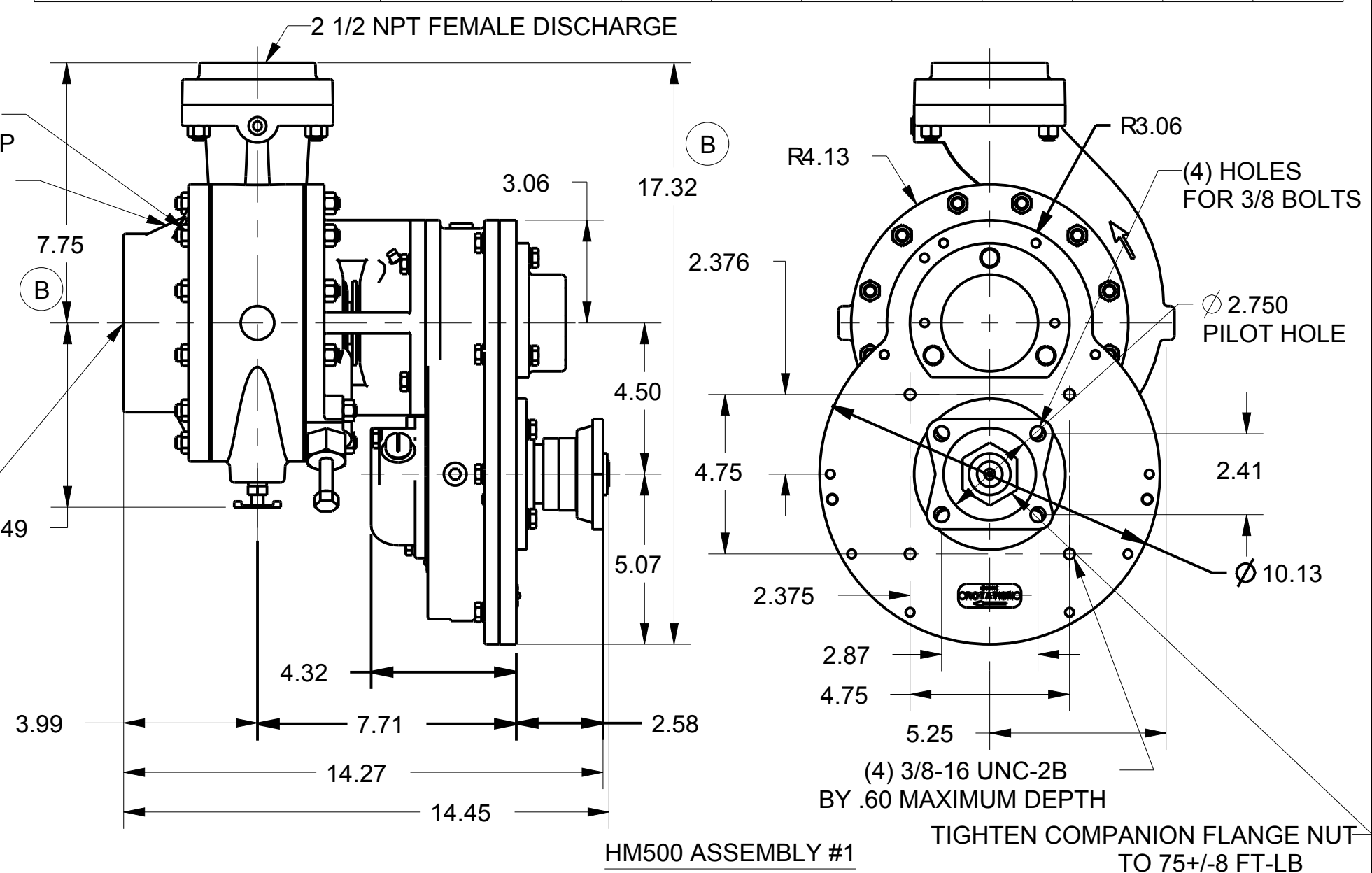
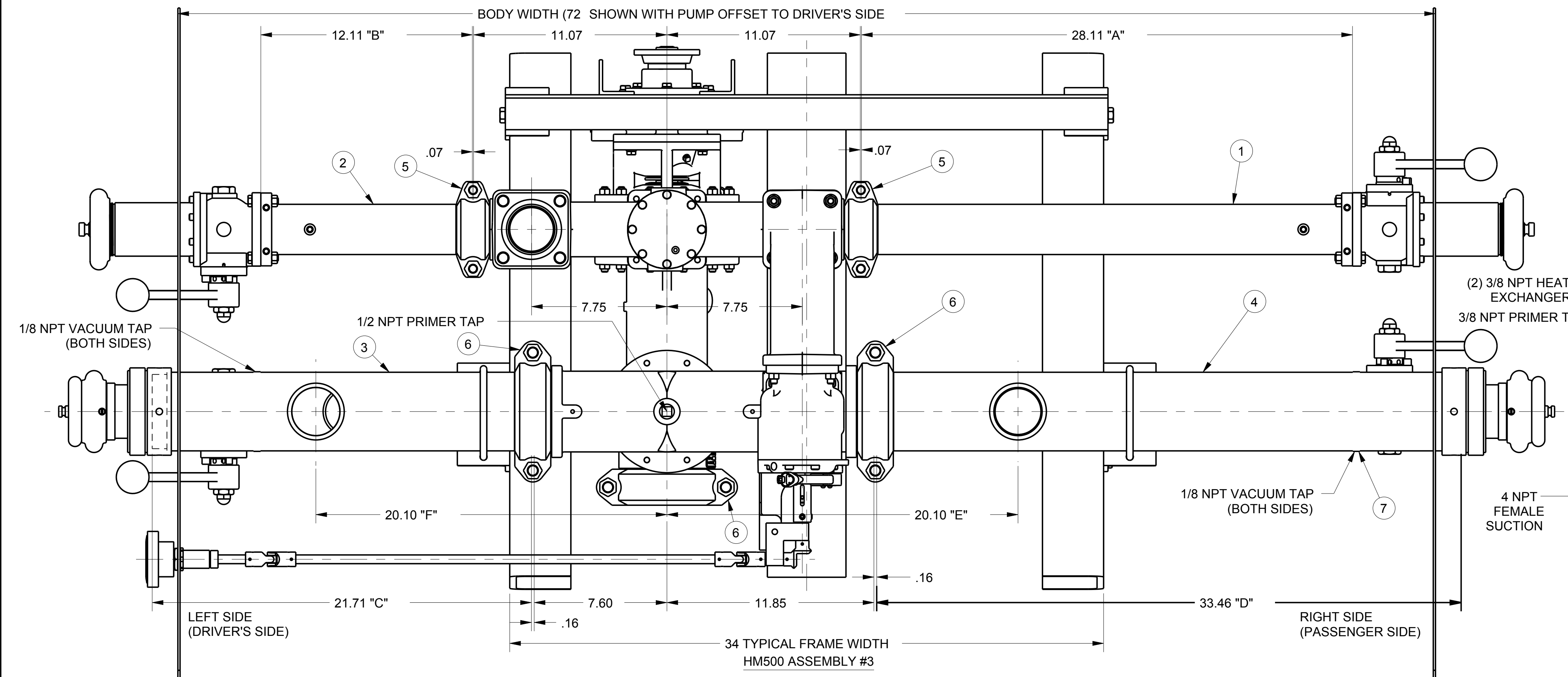


REVISIONS				
LTR	DESCRIPTION	DATE	CHG NO.	APPRD
A	CLEAN-UP DIMS PER CUST. REQST.	04-29-04		JCD
B	17.32 WAS 17.19; 7.75 WAS 7.62	03/18/08	2008-096	RJG

BODY WIDTH	PIPING ASSEMBLY	"A"	"B"	"C"	"D"	"E"	"F"	"G"	"H"
72" WITH PUMP OFFSET	KC00415	28.11	12.11	21.71	33.46	20.10	20.10	34.31	18.31
70" WITH PUMP OFFSET	KC00414	27.11	11.11	20.71	32.46	20.10	20.10	33.31	17.31
66" WITH PUMP OFFSET	KC00413	25.11	9.11	18.71	30.46	20.10	20.10	31.31	15.31
72" WITH PUMP CENTERED	KC00423	20.11	20.11	29.71	25.46	20.10	20.10	26.31	26.31
70" WITH PUMP CENTERED	KC00417	19.11	19.11	28.71	24.46	20.10	20.10	25.31	25.31
66" WITH PUMP CENTERED	KC00416	17.11	17.11	26.71	22.46	20.10	20.10	23.31	23.31



MODEL NAME: DHD0407    MKG CREATED: 10APR2003    SHEET: 1/1    D

REMOVE SHARP EDGES	INCH (MILLIMETER)	OLD PART NO.	TOLERANCE EXCEPT AS NOTED	W.S. Darley & Co. ITASCA, IL - CHIPPEWA FALLS, WI
MATERIAL DESCRIPTION:		MATERIAL NO.	PATTERN NO.	DWG - HM500 - VICTAULIC DIMENSIONAL - PUMP ON DRIVER'S SIDE
THIS DESIGN IS THE PROPERTY OF W.S. DARLEY AND CO. - UNAUTHORIZED REPRODUCTION IS PROHIBITED	ALL DIMENSIONS IN INCHES UNLESS NOTED	DO NOT SCALE PRINT	DRN WAH CHKD TED TRCD	DATE: 30-Apr-03 SCALE: 1/4