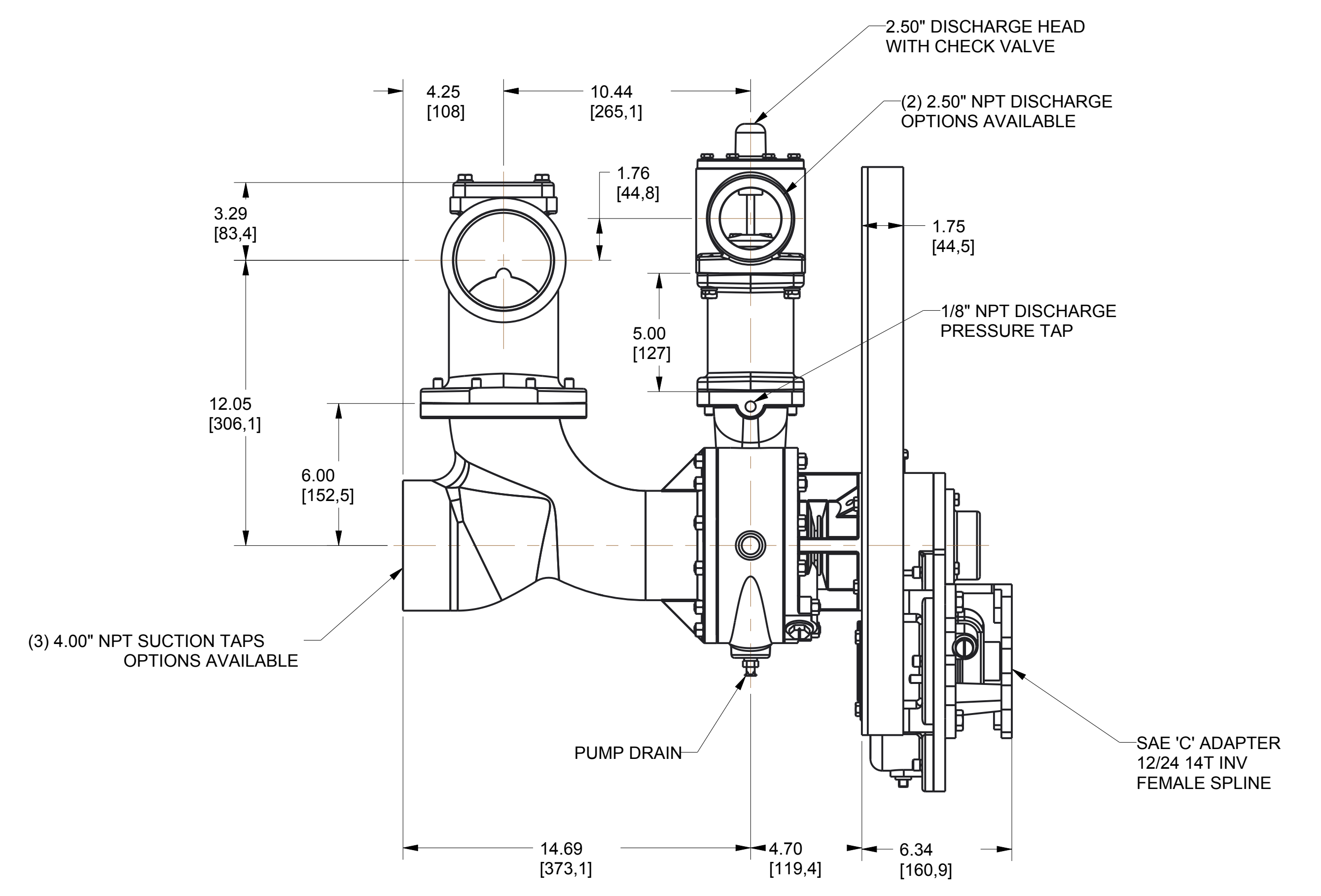
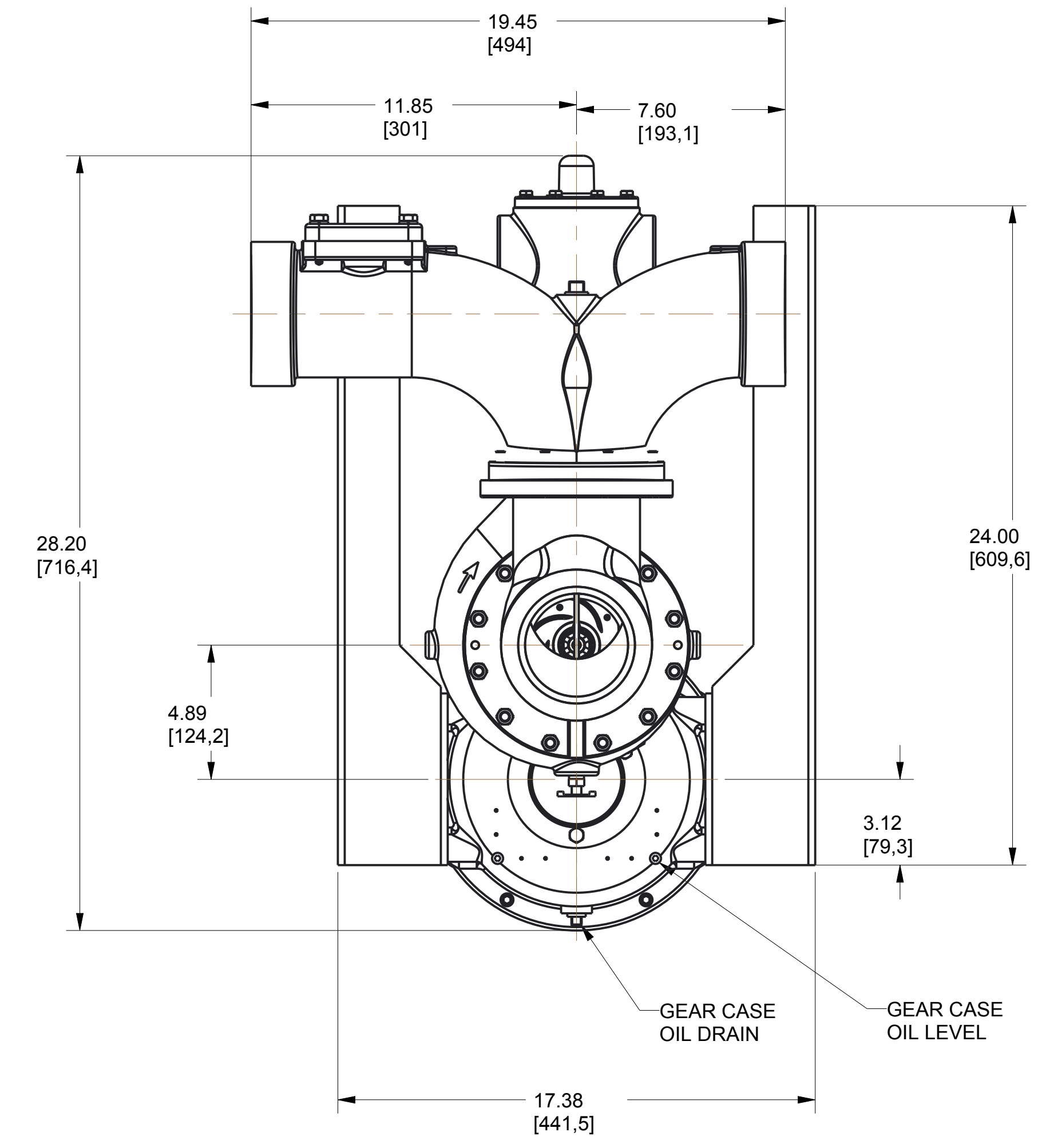
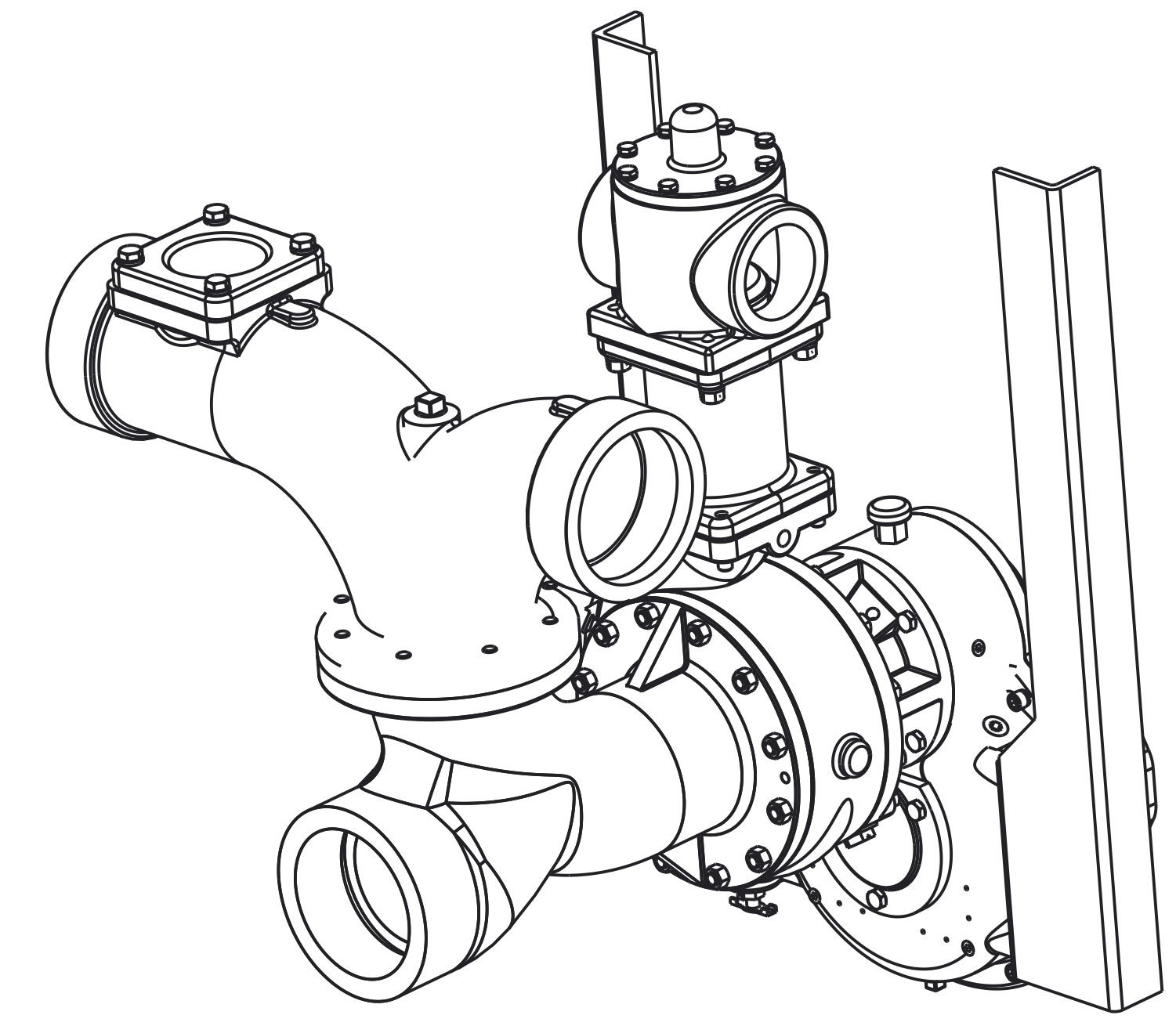
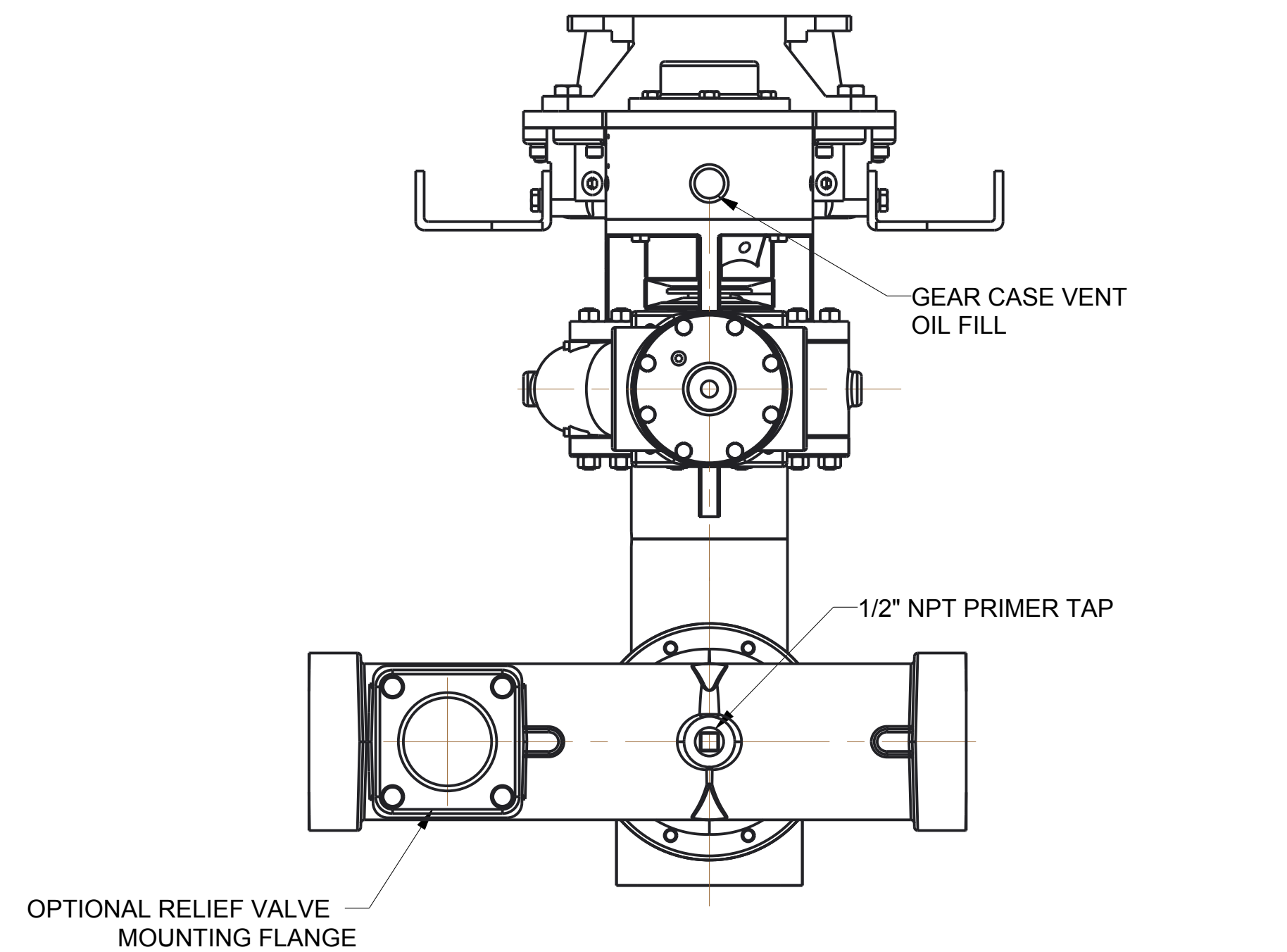


REVISIONS				
LTR	DESCRIPTION	DATE	CHG NO.	APPRD



APPROXIMATE WEIGHT: 200 LBS

REMOVE SHARP EDGES		INCH (MILLIMETER)		TOLERANCE EXCEPT AS NOTED 00 ±.03 2000 ±.010 ANGLES ±.1°		OLD PART NO.		DATE 22-Jan-14		SCALE 1/4	
MATERIAL DESCRIPTION: THIS DESIGN IS THE PROPERTY OF W.S. DARLEY AND CO. - UNAUTHORIZED REPRODUCTION IS PROHIBITED				MATERIAL NO.		PATTERN NO.		DWG - HH500, ASSEMBLY #2 DIMENSIONAL		DHD0302	
ALL DIMENSIONS IN INCHES UNLESS NOTED				DO NOT SCALE PRINT		DRN SMS CHKD TED TRCD		DATE 22-Jan-14		SHEET 1/1	

MODEL NAME: DHD0302  
MFL CREATED: 22JAN2014  
SHEET: 1/1

W.S. Darley & Co.  
ITASCA, IL - CHIPPEWA FALLS, WI

DWG - HH500, ASSEMBLY #2  
DIMENSIONAL

DATE 22-Jan-14  
SCALE 1/4

DHD0302