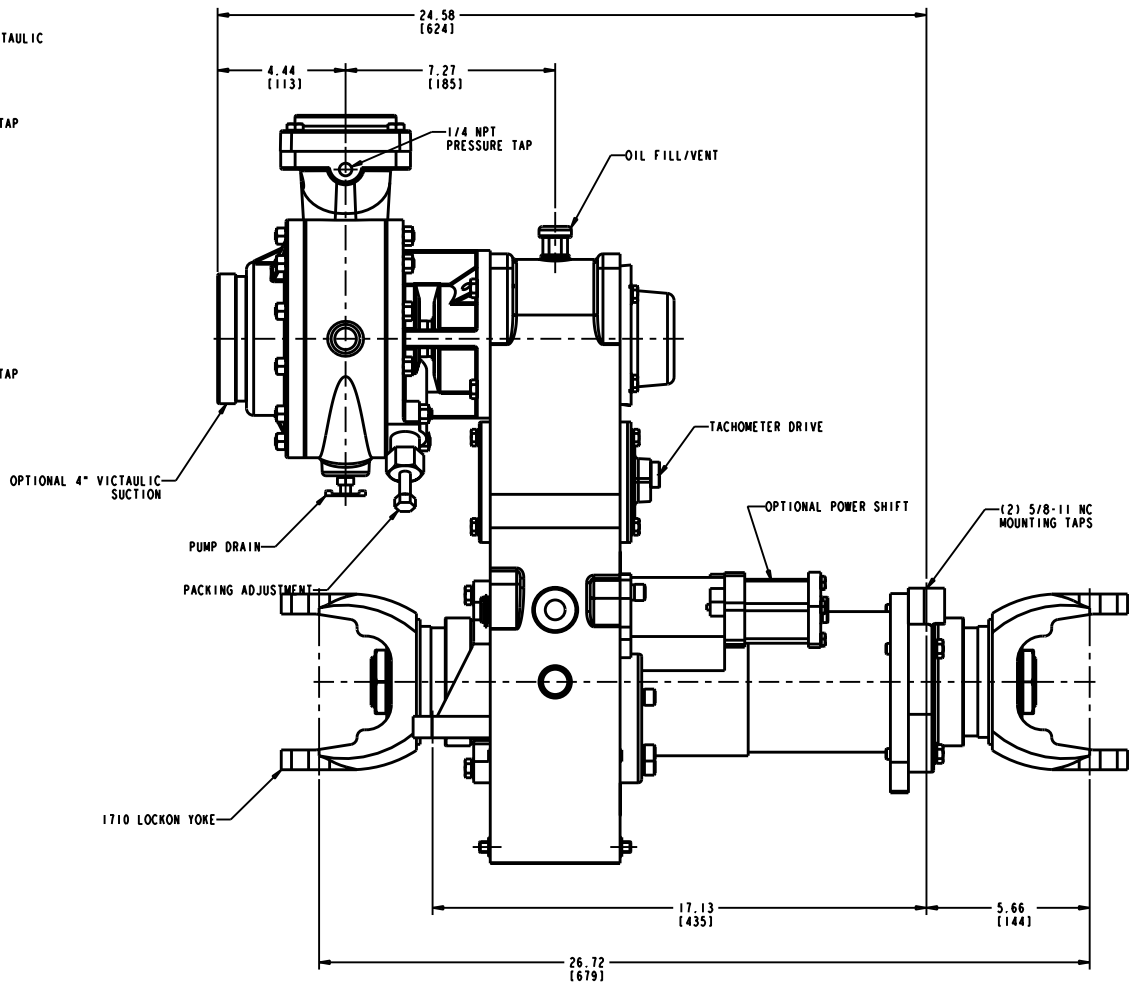
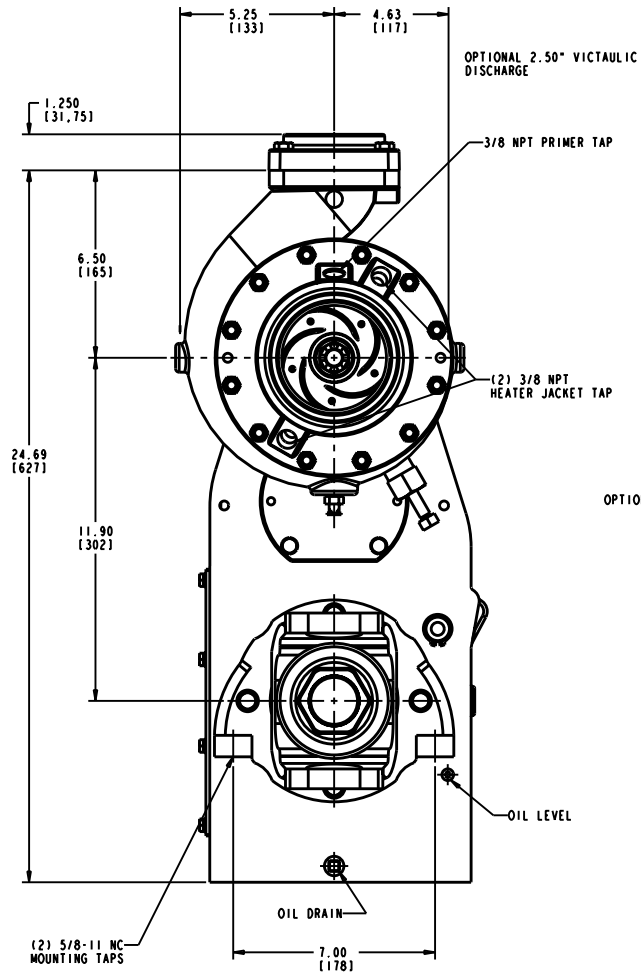


NAME:RG OBJECT:DHD0114 DATE:11-Apr-08 13:59:30

REVISIONS			
LTB	DESCRIPTION	DATE	ENG NO. APPR'D



REMOVE SHARP EDGES		1 INCH [25.4 MILLIMETER]	OLD PART NO.	TOLERANCE	DATE 05-Nov-04	DHD0114
MATERIAL DESCRIPTION:		MATERIAL NO.	PATTERN NO.	AS SHOWN	10/25/04	1/11/0
THIS DESIGN IS THE PROPERTY OF W.S. DUNLAP & CO. UNAUTHORIZED REPRODUCTION IS PROHIBITED.		ALL DIMENSIONS IN INCHES UNLESS NOTED		DO NOT SCALE PRINT		SCALE 0.500
W.S. DUNLAP & CO. ALASKA - SOUTHWESTERN DIVISION		PUMP - FINE DIMENSIONAL PUMP FORWARD		DATE 05-Nov-04		DHD0114