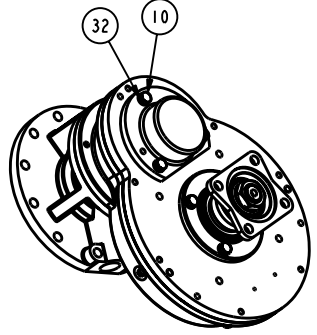
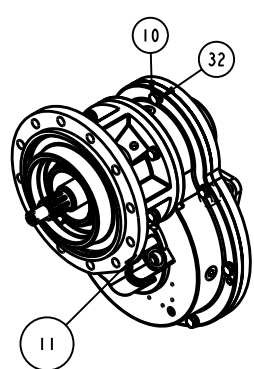
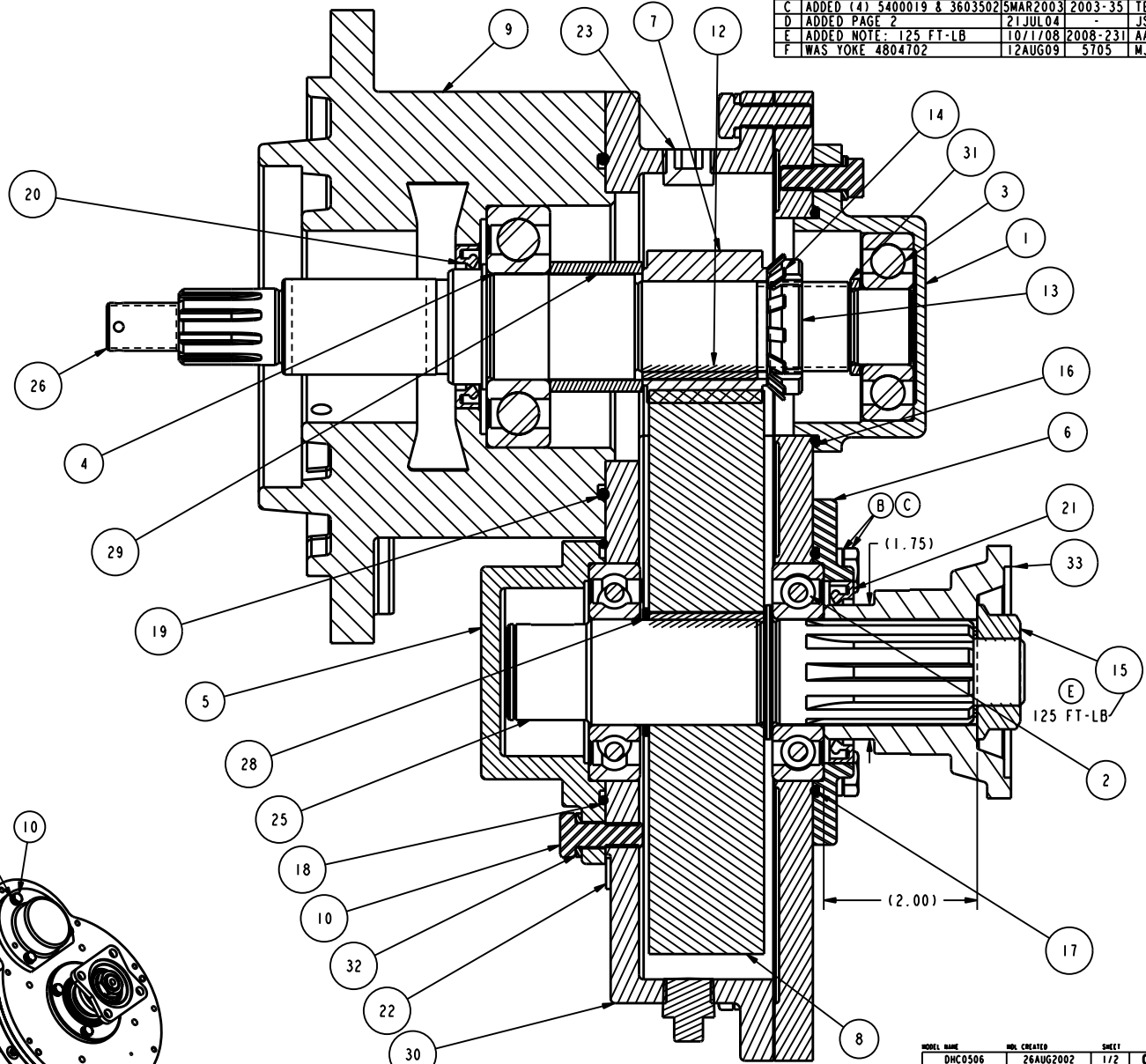


NAME:MW OBJECT:DHC0506_1 DATE:12-Aug-09 10:39:54

NO.	DESCRIPTION	PART NO.	QTY.
1	BEARING CAP	2300601	1
2	BEARING-BALL, 207SF	1720103	2
3	BEARING-BALL, 305S	1720000	1
4	BEARING-BALL, 307SF	1721903	1
5	CAP - BEARING, HM	2303206	1
6	CAP BEARING, U/HM/JMP	2308301	1
7	GEAR - PINION, HM, 21T, 12DP	2702013	1
8	GEAR - DRIVE, HM, 83T, 12DP	2702113	1
9	HEAD - INBOARD, HM	2803609	1
10	HHCS - .313-18 x 0.88, GR5	5400019	13
11	HHCS - .313-18 x 1.75, GR5	5400022	1
12	KEY - SO., 0.19X1.50 GR2	3602441	2
13	LOCKNUT - BEARING, NO6	3602106	1
14	LOCKWASHER - BEARING, W06	3602126	1
15	NUT - FLANGE, 7/8-14	4814501	1
16	O-RING - 2.88 x 3.06 x 0.09	3601126	1
17	O-RING - 3.00 x 3.19 x 0.09	3601125	1
18	O-RING - 3.25 x 3.44 x 0.09	3601119	1
19	O-RING - 4.25 x 4.50 x 0.12	3601239	1
20	OIL SEAL - 1.500 ID X 2.129 OD	3600526	1
21	OIL SEAL - 1.750 ID X 2.378 OD	3600528	1
22	PLUG - PIPE, 0.125, ZN SOC HD	1080537	3
23	PLUG - PIPE, 0.375, ZN SOC HD	1080541	3
24	PLUG - PIPE, 0.375, MAG SQ HD	1080536	1
25	SHAFT - DRIVE	5017000	1
26	SHAFT - IMPELLER, H500	5003300	1
28	SPACER - 1.37 X 1.66 X 0.08	3301601	1
29	SPACER - 1.38 X 1.69 X 1.20	3301900	1
30	TRANS - GEARCASE ONLY, H	TG00202	1
31	WASHER - .99 x 1.25 x .12 STL	3603018	1
32	WASHER - LOCK, 0.313 ID	3603502	14
33	COMP FLANGE - 1350/1410, 1.38"	4817804	1

REVISIONS				
LTR	DESCRIPTION	DATE	CHG NO.	APPR'D
A	3601119 WAS 3601124	7 JAN 2003	2003-05	TED
B	REMOVED (4) 5/16 X 1.75 SHCS (5401009)	5 MAR 2003	2003-35	TED
C	ADDED (4) 5400019 & 3603502	5 MAR 2003	2003-35	TED
D	ADDED PAGE 2	21 JUL 04		JSS
E	ADDED NOTE: 125 FT-LB	10/1/08	2008-231	AAN
F	WAS YOKE 4804702	12 AUG 09	5705	MJW



SCALE 1/4

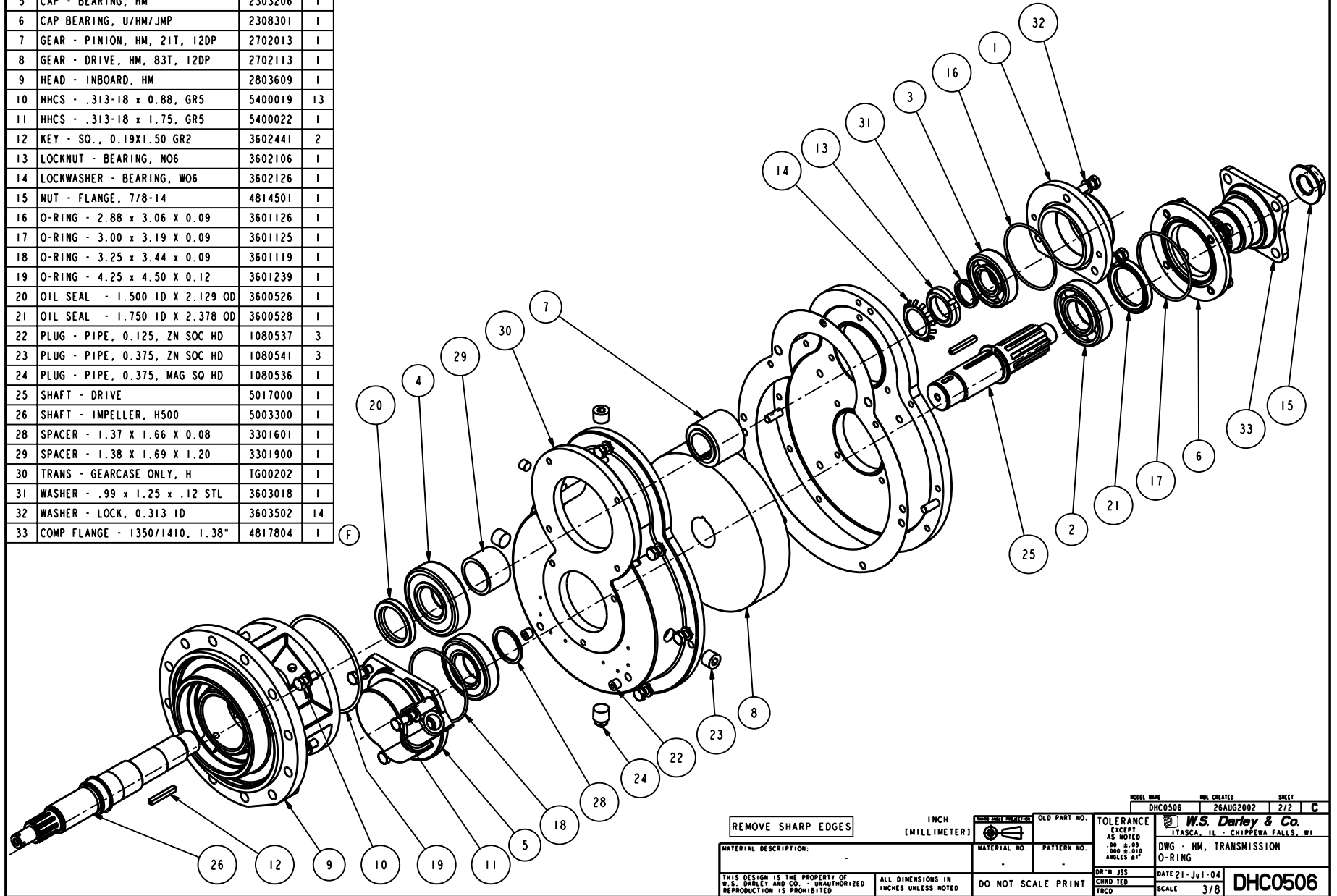
REMOVE SHARP EDGES		INCH (MILLIMETER)	OLD PART NO.	TOLERANCE EXCEPT AS NOTED ±.000 ±.010 ANGLES 8°	DATE 13-Sep-02	SCALE 1/1
MATERIAL DESCRIPTION:		MATERIAL NO.	PATTERN NO.	DR'N TED CHWD MCR TRCD	DATE 13-Sep-02	SCALE 1/1
THIS DESIGN IS THE PROPERTY OF W.S. DARLEY AND CO. - UNAUTHORIZED REPRODUCTION IS PROHIBITED		ALL DIMENSIONS IN INCHES UNLESS NOTED		DO NOT SCALE PRINT		SCALE 1/1

MODEL NAME	CHK CREATED	SHEET
DHC0506	26AUG2002	1/2 C
TOLERANCE EXCEPT AS NOTED ±.000 ±.010 ANGLES 8°		
W.S. Darley & Co. TYASCA, IL - CHIPPEWA FALLS, WI		
DWG - HM, TRANSMISSION O-RING		
DATE 13-Sep-02		
SCALE 1/1		
DHC0506		

NAME: MW OBJECT: DHC0506_2 DATE: 12-Aug-09 10:39:56

NO.	DESCRIPTION	PART NO.	QTY.
1	BEARING CAP	2300601	1
2	BEARING-BALL, 207SF	1720103	2
3	BEARING-BALL, 305S	1720000	1
4	BEARING-BALL, 307SF	1721903	1
5	CAP - BEARING, HM	2303206	1
6	CAP BEARING, U/HM/JMP	2308301	1
7	GEAR - PINION, HM, 21T, 12DP	2702013	1
8	GEAR - DRIVE, HM, 83T, 12DP	2702113	1
9	HEAD - INBOARD, HM	2803609	1
10	HHCS - .313-18 x 0.88, GR5	5400019	13
11	HHCS - .313-18 x 1.75, GR5	5400022	1
12	KEY - SO., 0.19X1.50 GR2	3602441	2
13	LOCKNUT - BEARING, NO6	3602106	1
14	LOCKWASHER - BEARING, WO6	3602126	1
15	NUT - FLANGE, 7/8-14	4814501	1
16	O-RING - 2.88 x 3.06 X 0.09	3601126	1
17	O-RING - 3.00 x 3.19 X 0.09	3601125	1
18	O-RING - 3.25 x 3.44 x 0.09	3601119	1
19	O-RING - 4.25 x 4.50 X 0.12	3601239	1
20	OIL SEAL - 1.500 ID X 2.129 OD	3600526	1
21	OIL SEAL - 1.750 ID X 2.378 OD	3600528	1
22	PLUG - PIPE, 0.125, ZN SOC HD	1080537	3
23	PLUG - PIPE, 0.375, ZN SOC HD	1080541	3
24	PLUG - PIPE, 0.375, MAG SQ HD	1080536	1
25	SHAFT - DRIVE	5017000	1
26	SHAFT - IMPELLER, H500	5003300	1
28	SPACER - 1.37 X 1.66 X 0.08	3301601	1
29	SPACER - 1.38 X 1.69 X 1.20	3301900	1
30	TRANS - GEARCASE ONLY, H	TG00202	1
31	WASHER - .99 x 1.25 x .12 STL	3603018	1
32	WASHER - LOCK, 0.313 ID	3603502	14
33	COMP FLANGE - 1350/1410, 1.38"	4817804	1

REVISIONS				
LTR	DESCRIPTION	DATE	CHG NO.	APPR'D
D	ADDED PAGE 2	21 JUL04	-	JSS
E	ADDED NOTE: 125 FT-LB	10/1/08	2008-231	AAM
F	WAS YOKE 4804702	12AUG09	5105	MJW



REMOVE SHARP EDGES		INCH (MILLIMETER)	OLD PART NO.	TOLERANCE EXCEPT AS NOTED 0.00 ± 0.03 0.000 ± 0.010 ANGLES 8°	DATE 21-Jul-04	SCALE 3/8	DHC0506
MATERIAL DESCRIPTION:		MATERIAL NO.	PATTERN NO.	DRN JSS CHMD TED TRCD	DATE 21-Jul-04	SCALE 3/8	DHC0506
THIS DESIGN IS THE PROPERTY OF W.S. DARLEY AND CO. - UNAUTHORIZED REPRODUCTION IS PROHIBITED		ALL DIMENSIONS IN INCHES UNLESS NOTED		DO NOT SCALE PRINT		W.S. Darley & Co. TYASCA, IL - CHIPPEWA FALLS, WI DWG - HM, TRANSMISSION O-RING	