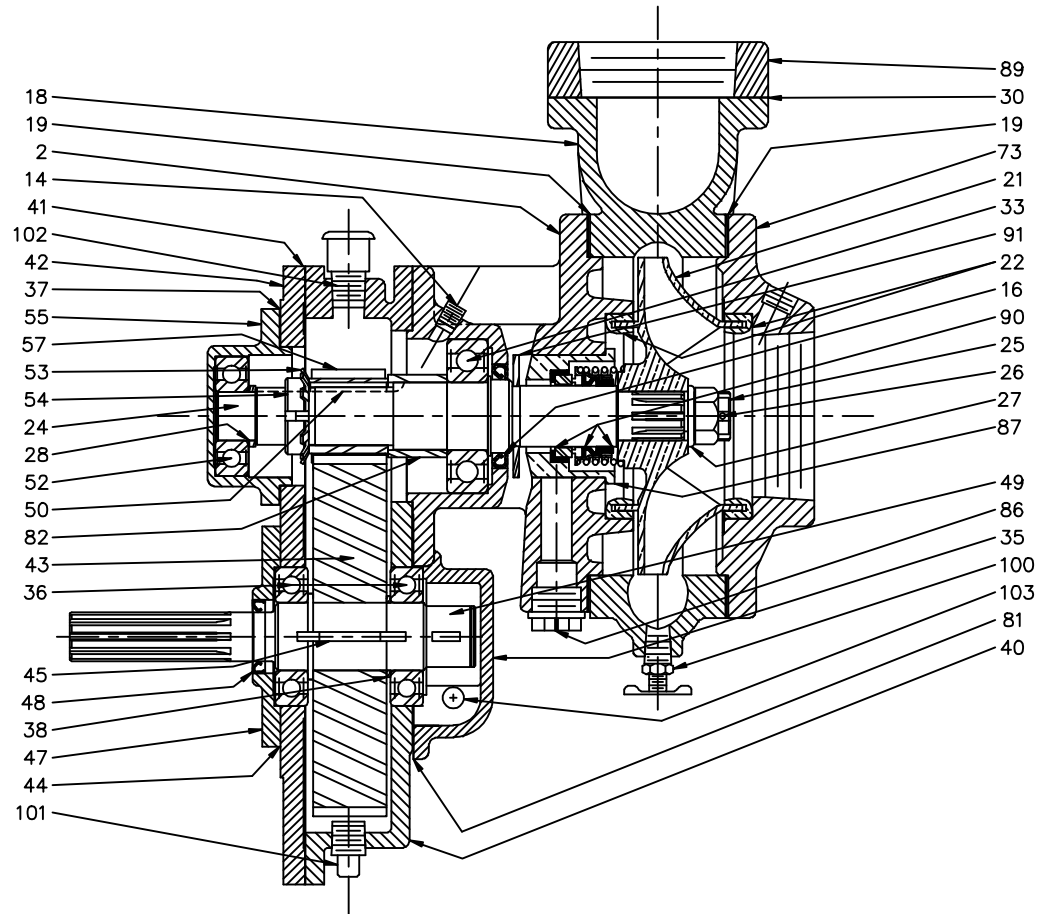


REP#	NAME OF PART	QTY
2	INBOARD HEAD	1
14	PLUG - 1/8 NPT	1
16	OIL SEAL - IMPELLER SHAFT	1
18	VOLUTE	1
19	PUMP CASING GASKET	2
21	IMPELLER	1
22	SEAL RING	2
24	IMPELLER SHAFT	1
25	IMPELLER NUT	1
26	COTTER KEY	1
27	IMPELLER WASHER	1
28	WASHER	1
30	GASKET-DISCHARGE	1
33	BEARING - IMPELLER SHAFT	1
35	BEARING CAP	1
36	BEARING - DRIVE SHAFT	2
37	BEARING CAP GASKET - IMPELLER SHAFT	1
38	SPACER	1
40	GEAR CASE	1
41	GEAR CASE GASKET	1
42	GEAR CASE COVER	1
43	DRIVE GEAR	1
44	BEARING CAP GASKET - DRIVE SHAFT	1
45	KEY - DRIVE GEAR	1
47	BEARING CAP - DRIVE SHAFT	1
48	OIL SEAL - DRIVE SHAFT	1
49	DRIVE SHAFT	1
50	KEY - PINION GEAR	1
52	BEARING - IMPELLER SHAFT	1
53	BEARING LOCKWASHER	1
54	BEARING LOCKNUT	1
55	BEARING CAP - IMPELLER SHAFT	1
57	PINION GEAR	1
73	OUTBOARD HEAD - (REF)	1
81	BEARING CAP GASKET - DRIVE SHAFT	1
82	SPACER	1
86	PLUG	1
87	MECHANICAL SEAL BOX	1
89	DISCHARGE FLANGE - (REF)	1
90	MECHANICAL SEAL	1
91	WATER SLINGER	1
100	DRAIN COCK-1/4 NPT	1
101	OIL DRAIN PLUG-3/8 NPT - MAGNETIC	1
102	OIL FILL/ VENT - 3/8 NPT	1
103	7/16 FROST PLUG - (REF)	2



OLD PART NO.
H427-1
SPEC NO.
HMEA106



W.S. DARLEY & CO.
MELROSE PARK, IL - CHIPPEWA FALLS, WI
DWG - HM500 CROSS SECTION
MECHANICAL SEAL

THIS DESIGN IS THE PROPERTY OF
W.S. DARLEY AND CO. - UNAUTHORIZED
REPRODUCTION IS PROHIBITED

ALL DIMENSIONS IN
INCHES UNLESS NOTED

DO NOT SCALE PRINT

DRN TED
CHKD
TRCD

DATE DEC.1,93
SCALE 1/2

DHC0501