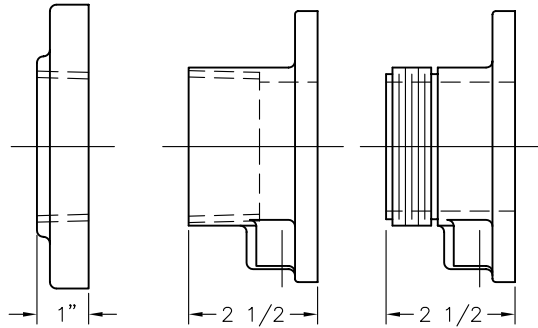
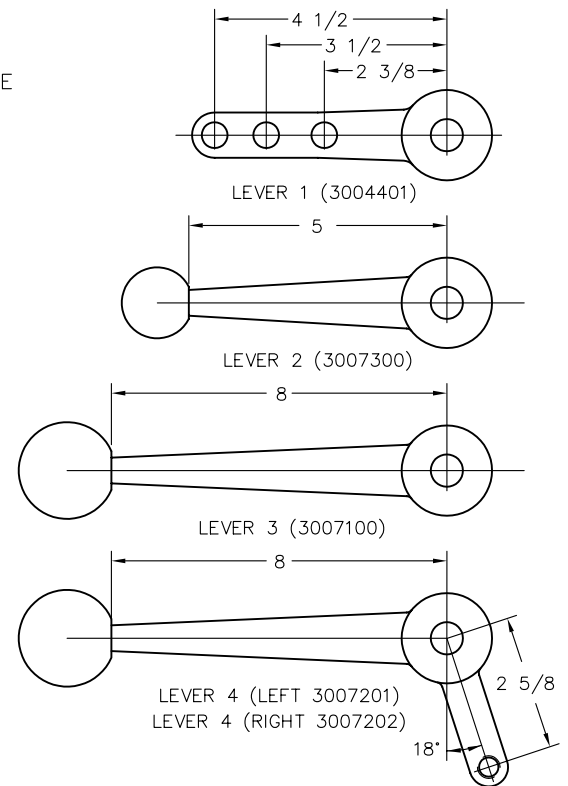
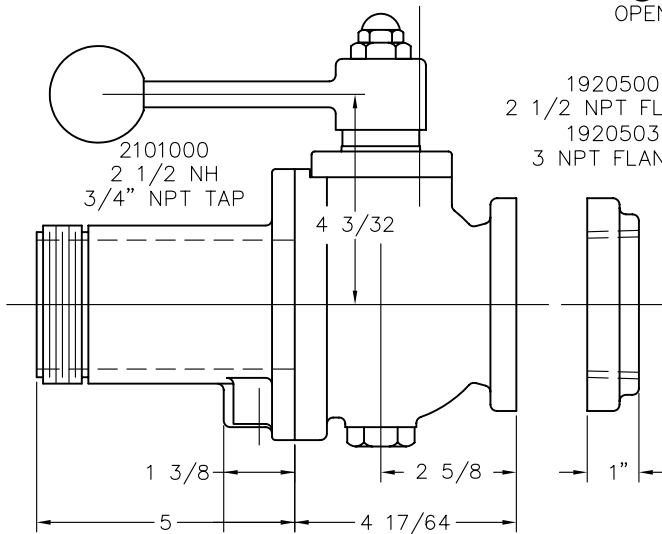
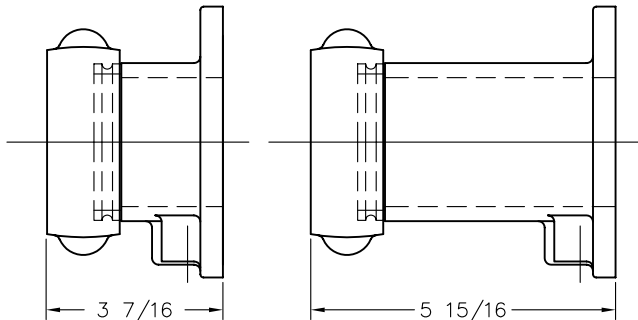


LEVER POSITION OPTIONS

- 1923201
2 1/2 NPT FE
- 1923203
3 NPT FE
- 2101101
2 1/2 NPT FE
3/4" NPT TAP
- 2101100
2 1/2 NH
3/4" NPT TAP



- 2101600
2 1/2 NH SWIVEL
W/STRAINER
3/4" NPT TAP
- 2101200
2 1/2 NH WITH SWIVEL
AND STRAINER
3/4" NPT TAP



TOLERANCE EXCEPT AS NOTED		W.S. DARLEY & CO.	
FRAC DIM ±.01		MELROSE PARK, IL - CHIPPEWA FALLS, WI	
.00 ±.01		2.50 FULL FLOW BALL VALVE OPTIONS	
.000 ±.005		DATE MAR10,97	
ANGLES ±1°		SCALE 1/2	
DR'N S. LEE	CHKD	DGM0111	
TRCD			

THIS DESIGN IS THE PROPERTY OF W.S. DARLEY AND CO. - UNAUTHORIZED REPRODUCTION IS PROHIBITED

DO NOT SCALE PRINT