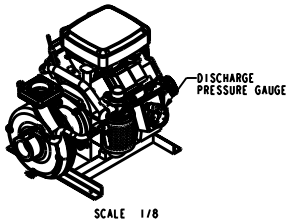
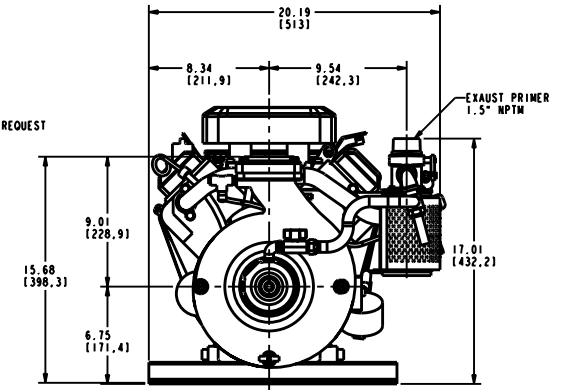
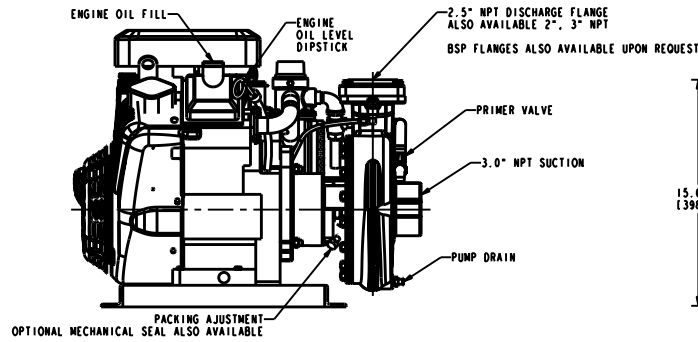
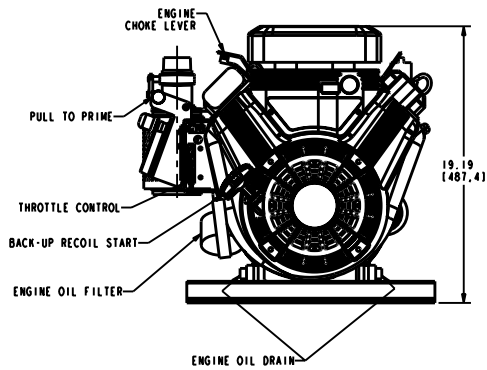
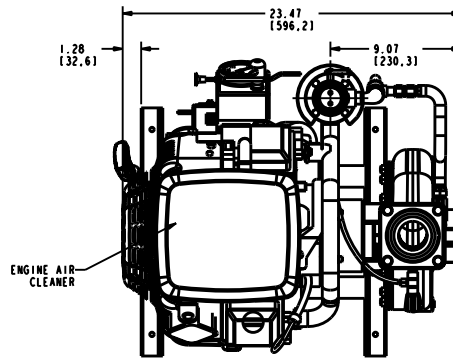


NAME:ME OBJECT:DBD0504 DATE:10-Aug-07 13:07:40

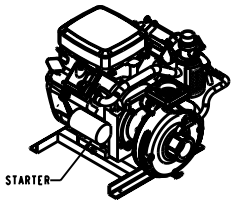
REVISIONS			
LTB	DESCRIPTION	DATE	ENG. NO. APPROV.



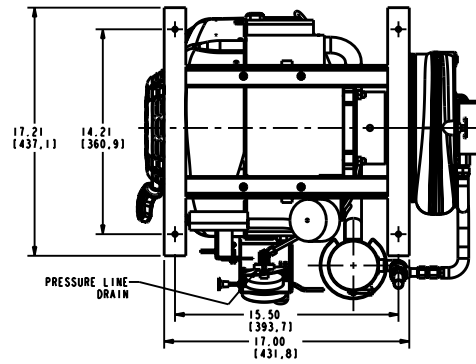
SCALE 1/8



APPROXIMATE WEIGHT: 195 LBS (89KG)



SCALE 1/8



REMOVE SHARP EDGES	1 INCH (25.4 MILLIMETER)	OLD PART NO.	TOLERANCE	DATE 24-May-07	SCALE 1/24
MATERIAL DESCRIPTION:		PATTERN NO.	AS SHOWN	DATE 24-May-07	SCALE 1/24
THIS DESIGN IS THE PROPERTY OF W.S. DUNLAP AND CO. UNAUTHORIZED REPRODUCTION IS PROHIBITED.		ALL DIMENSIONS IN INCHES UNLESS NOTED		DO NOT SCALE PRINT	
DBD0504		W.S. Dunlap & Co. CALIFORNIA, U.S.A. - MEXICO, CANADA		23 HP COOLER/CLEANER VANGUARD - DIMENSIONAL	
DBD0504		23HP2007		1/11/07	
DBD0504		23HP2007		1/11/07	